



## N Male Right Angle to Reverse Polarity TNC Male Cable 50 cm Length Using LMR-400 Coax with HeatShrink

### RF Cable Assemblies Technical Data Sheet

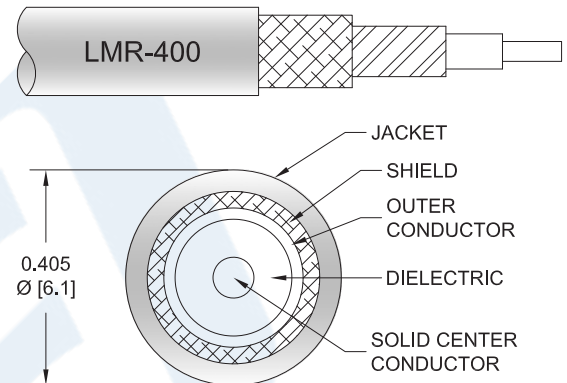
**PE3W06290/HS-50CM**

#### Configuration

- Connector 1: N Male Right Angle
- Connector 2: TNC Male Reverse Polarity
- Cable Type: LMR-400

#### Features

- Max Frequency 4 GHz
- Shielding Effectivity > 90 dB
- 85% Phase Velocity
- Double Shielded
- PE Jacket



#### Applications

- General Purpose
- Laboratory Use

#### Description

Pasternack's PE3W06290/HS-50CM type N male right angle to reverse polarity TNC male 50 cm cable using LMR-400 coax is part of our full line of RF components available for same-day shipping. Pasternack's flexible RF cable assemblies are ideal for applications where tight bends and flexure are required. This Pasternack type N to reverse polarity TNC cable assembly has a male to male gender configuration with 50 ohm flexible LMR-400 coax. The PE3W06290/HS-50CM type N male to reverse polarity TNC male cable assembly operates to 4 GHz. The right angle type N interface on the LMR-400 cable allows for easier connections in tight spaces. The double shielding of this Pasternack cable assembly provides excellent shielding effectiveness of better than 90 dB.

Custom versions of most RF cable assemblies can be built and shipped same day. Custom cable assembly lengths can be obtained by specifying the desired length on the web site at time of order or by contacting a sales representative. Other available RF cable assembly value added services include connector orientation or clocking, heat shrink booting and custom labeling. RF testing can also be performed to document the electrical performance of your cable assembly.

Click the following link (or enter part number in "SEARCH" on website) to obtain additional part information including price, inventory and certifications: [N Male Right Angle to Reverse Polarity TNC Male Cable 50 cm Length Using LMR-400 Coax with HeatShrink PE3W06290/HS-50CM](#)



N Male Right Angle to Reverse Polarity TNC Male Cable  
50 cm Length Using LMR-400 Coax with HeatShrink

**RF Cable Assemblies Technical Data Sheet**

**PE3W06290/HS-50CM**

**Electrical Specifications**

Description	Minimum	Typical	Maximum	Units
Frequency Range	DC		4	GHz
VSWR			1.5:1	
Velocity of Propagation		85		%
RF Shielding	90			dB
Group Delay		1.2 [3.94]		ns/ft [ns/m]
Capacitance		23.9 [78.41]		pF/ft [pF/m]
Inductance		0.06 [0.2]		uH/ft [uH/m]
DC Resistance Inner Conductor Km]		1.39 [4.56]		Ohms/1000ft [Ohms/ Km]
DC Resistance Outer Conductor Km]		1.65 [5.41]		Ohms/1000ft [Ohms/ Km]
Jacket Spark			8,000	Vrms

**Specifications by Frequency**

Description	F1	F2	F3	F4	F5	Units
Frequency	0.25	0.5	1	2.5	4	GHz
Insertion Loss (Max.)	0.332	0.345	0.367	0.411	0.437	dB

**Electrical Specification Notes:**

The Insertion Loss data above is based on the performance specifications of the coax use in this assembly. The Insertion Loss includes an estimated insertion loss of 0.3dB of connector Loss

**Mechanical Specifications**

**Cable Assembly**

Length\* 19.68 in [499.87 mm]  
Diameter 0.81 in [20.57 mm]

**Cable**

Cable Type LMR-400  
Impedance 50 Ohms  
Inner Conductor Type Solid  
Inner Conductor Material and Plating Copper Clad Aluminum  
Dielectric Type PE (F)  
Number of Shields 2  
Shield Layer 1 Aluminum Tape  
Shield Layer 2 Tinned Copper Braid

Click the following link (or enter part number in "SEARCH" on website) to obtain additional part information including price, inventory and certifications: [N Male Right Angle to Reverse Polarity TNC Male Cable 50 cm Length Using LMR-400 Coax with HeatShrink PE3W06290/HS-50CM](#)



N Male Right Angle to Reverse Polarity TNC Male Cable  
50 cm Length Using LMR-400 Coax with HeatShrink

**RF Cable Assemblies Technical Data Sheet**

**PE3W06290/HS-50CM**

Jacket Material	PE, Black
Jacket Diameter	0.405 in [10.29 mm]
One Time Minimum Bend Radius	1 in [25.4 mm]
Repeated Minimum Bend Radius	4 in [101.6 mm]
Bending Moment	0.5 lbs-ft [0.68 N-m]
Flat Plate Crush	40 lbs/in [0.71 Kg/mm]
Tensile Strength	160 lbs [72.57 Kg]

**Connectors**

Description	Connector 1	Connector 2
Type	N Male Right Angle	TNC Male Reverse Polarity
Impedance	50 Ohms	50 Ohms
Contact Material and Plating	Beryllium Copper, Gold	Phosphor Bronze, Gold
Contact Plating Specification	1.27 µm minimum	
Dielectric Type	PTFE	PTFE
Body Material and Plating	Brass, Tri-Metal	Brass, Nickel
Body Plating Specification	2 µm minimum	
Coupling Nut Material and Plating	Brass, Tri-Metal	Brass, Nickel
Coupling Nut Plating Specification	2 µm minimum	
Torque	44 in-lbs [4.97 Nm]	

Mechanical Specification Notes:

\*All cable assemblies have a length tolerance of 1.5% or ± 3/8", whichever is greater.

**Environmental Specifications**

**Temperature**

Operating Range -40 to +85 deg C

**Compliance Certifications** (see [product page](#) for current document)

**Plotted and Other Data**

Notes:

Click the following link (or enter part number in "SEARCH" on website) to obtain additional part information including price, inventory and certifications: [N Male Right Angle to Reverse Polarity TNC Male Cable 50 cm Length Using LMR-400 Coax with HeatShrink PE3W06290/HS-50CM](#)



N Male Right Angle to Reverse Polarity TNC Male Cable  
50 cm Length Using LMR-400 Coax with HeatShrink

**RF Cable Assemblies Technical Data Sheet**

**PE3W06290/HS-50CM**

**How to Order**

Part Number Configuration:

**PE3W06290/HS - xx uu**

Unit of Measure:  
cm = Centimeters  
<blank> = Inches  
Length  
Base Number

Example: PE3W06290/HS-12 = 12 inches long cable  
PE3W06290/HS-100cm = 100 cm long cable

N Male Right Angle to Reverse Polarity TNC Male Cable 50 cm Length Using LMR-400 Coax with HeatShrink from Pasternack Enterprises has same day shipment for domestic and International orders. Our RF, microwave and millimeter wave products maintain a 99.4% availability and are part of the broadest selection in the industry.

Click the following link (or enter part number in "SEARCH" on website) to obtain additional part information including price, inventory and certifications: [N Male Right Angle to Reverse Polarity TNC Male Cable 50 cm Length Using LMR-400 Coax with HeatShrink PE3W06290/HS-50CM](https://www.pasternack.com/n-male-tnc-male-lmr400-cable-assembly-pe3w06290-hs-50cm-p.aspx)

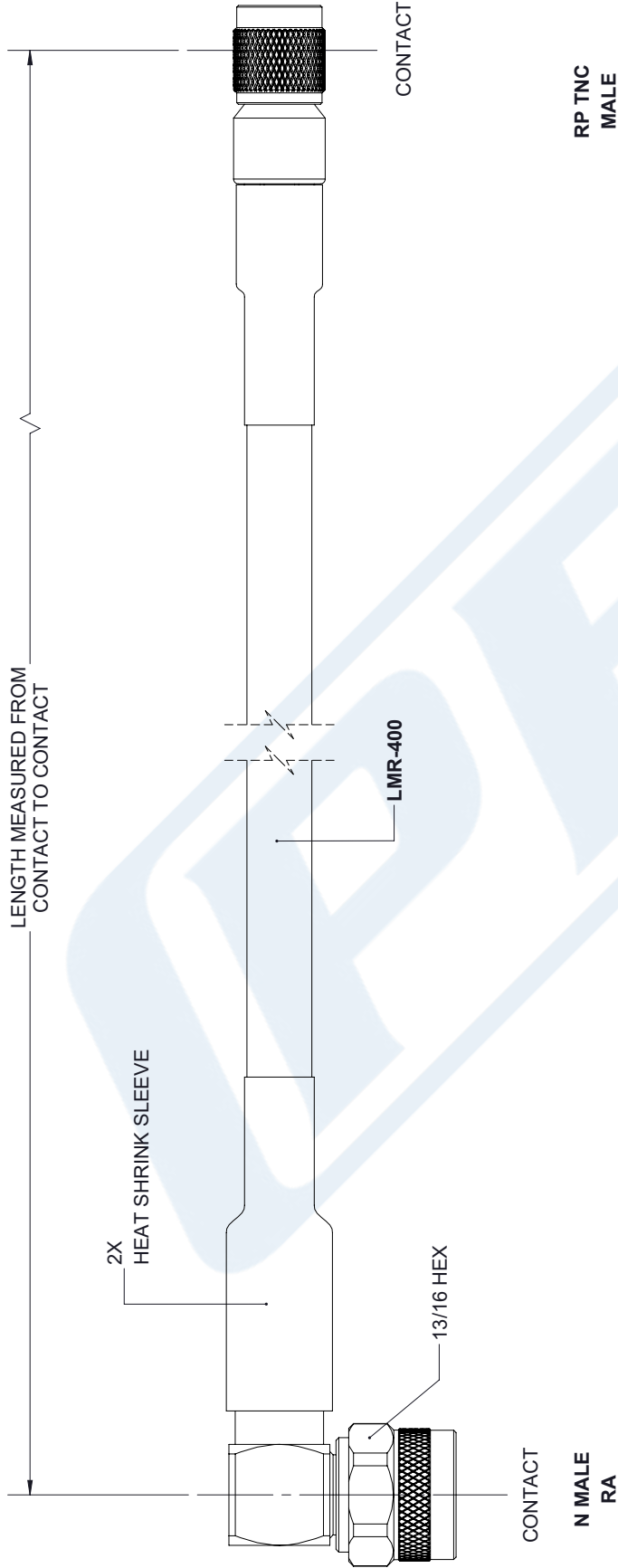
URL: <https://www.pasternack.com/n-male-tnc-male-lmr400-cable-assembly-pe3w06290-hs-50cm-p.aspx>

The information contained in this document is accurate to the best of our knowledge and representative of the part described herein. It may be necessary to make modifications to the part and/or the documentation of the part, in order to implement improvements. Pasternack reserves the right to make such changes as required. Unless otherwise stated, all specifications are nominal. Pasternack does not make any representation or warranty regarding the suitability of the part described herein for any particular purpose, and Pasternack does not assume any liability arising out of the use of any part or documentation.

# PE3W06290/HS-50CM CAD Drawing

N Male Right Angle to Reverse Polarity TNC Male Cable 50 cm  
Length Using LMR-400 Coax with HeatShrink

REVISIONS			
REV.	DESCRIPTION	DATE	APPROVED
A	INITIAL RELEASE	04/19/19	S. ELLIS



<p>UNLESS OTHERWISE SPECIFIED LEADING DIMENSIONS ARE INCHES DIMENSIONS IN [ ] ARE MILLIMETERS</p> <p>TOLERANCES:</p> <table border="0"> <tr> <td>X±.2</td> <td>[5.08]</td> <td>FRACTIONS</td> </tr> <tr> <td>.XX±.01</td> <td>[.25]</td> <td>±.132</td> </tr> <tr> <td>.XXX±.005</td> <td>[.13]</td> <td>ANGLES ± 1°</td> </tr> </table> <p>ALL DIMENSIONS SHOWN ARE FOR REFERENCE ONLY.</p> <p>THIRD-ANGLE PROJECTION</p>	X±.2	[5.08]	FRACTIONS	.XX±.01	[.25]	±.132	.XXX±.005	[.13]	ANGLES ± 1°	<p><b>PE PASTERNAK</b> an INFINITO brand</p> <p>Pasternack Enterprises, Inc. P.O. Box 16759, Irvine, CA 92623. Phone: 1,949,261,1920   1,866,727,8376 Fax: 1,949,261,7451 www.pasternack.com   e-mail: sales@pasternack.com</p>	<p>THE INFORMATION AND DESIGN IN THIS DOCUMENT IS THE PROPERTY OF PASTERNAK CORPORATION. ALL RIGHTS RESERVED.</p>
	X±.2	[5.08]	FRACTIONS								
.XX±.01	[.25]	±.132									
.XXX±.005	[.13]	ANGLES ± 1°									
<p>SIZE: A</p> <p>CAGE: 53919</p> <p>DRAWN BY: K.DANG</p> <p>PART NUMBER: PE3W06290/HS</p>	<p>SHEET 1 OF 1</p> <p>SCALE: N/A</p> <p>REV: A</p>										

THESE COMMODITIES, TECHNOLOGY OR SOFTWARE WERE EXPORTED FROM THE UNITED STATES IN ACCORDANCE WITH THE EXPORT ADMINISTRATION REGULATIONS. DIVERSION CONTRARY TO U.S. LAW PROHIBITED.