



Banana Plug to SMA Male Cable 24 Inch Length Using RG188-DS Coax

RF Cable Assemblies Technical Data Sheet

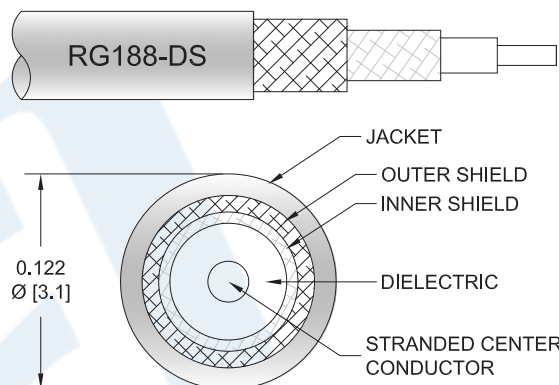
PE3W06020-24

Configuration

- Connector 1: Banana Plug
- Connector 2: SMA Male
- Cable Type: RG188-DS

Features

- Double Shielded
- PTFE Jacket



Applications

- General Purpose
- Laboratory Use

Description

Pasternack's PE3W06020-24 Banana plug to 50 ohm SMA male 24 inch cable using RG188-DS coax is part of our full line of RF components available for same-day shipping. Pasternack's flexible RF cable assemblies are ideal for applications where tight bends and flexure are required. This Pasternack Banana to SMA cable assembly has a plug to male gender configuration with 50 ohm flexible RG188-DS coax. The double shielding of this Pasternack cable assembly provides excellent shielding effectiveness.

Custom versions of most RF cable assemblies can be built and shipped same day. Custom cable assembly lengths can be obtained by specifying the desired length on the web site at time of order or by contacting a sales representative. Other available RF cable assembly value added services include connector orientation or clocking, heat shrink booting and custom labeling. RF testing can also be performed to document the electrical performance of your cable assembly.

Electrical Specifications

Description	Minimum	Typical	Maximum	Units
Capacitance		32 [104.99]		pF/ft [pF/m]

Mechanical Specifications

Cable Assembly

Length*	24 in [609.6 mm]
Diameter	1.175 in [29.85 mm]

Click the following link (or enter part number in "SEARCH" on website) to obtain additional part information including price, inventory and certifications: [Banana Plug to SMA Male Cable 24 Inch Length Using RG188-DS Coax PE3W06020-24](#)



Banana Plug to SMA Male Cable 24 Inch Length Using RG188-DS Coax

RF Cable Assemblies Technical Data Sheet

PE3W06020-24

Cable

Cable Type	RG188-DS
Impedance	50 Ohms
Inner Conductor Type	Stranded
Inner Conductor Material and Plating	Copper Clad Steel, Silver
Dielectric Type	PTFE
Number of Shields	2
Shield Layer 1	Silver Plated Copper Braid
Shield Layer 2	Silver Plated Copper Braid
Jacket Material	PTFE, White
Jacket Diameter	0.118 in [3 mm]

Connectors

Description	Connector 1	Connector 2
Type	Banana Plug	SMA Male
Specification		MIL-STD-348A
Impedance	0 Ohms	50 Ohms
Contact Material and Plating	Brass, Nickel	Brass, Gold
Contact Plating Specification		30 μ in minimum
Dielectric Type	ABS	PTFE
Body Material and Plating	Brass, Nickel	Brass, Nickel
Body Plating Specification		100 μ in minimum
Coupling Nut Material and Plating		Brass, Nickel
Coupling Nut Plating Specification		100 μ in minimum
Hex Size		5/16 inch
Torque		3 in-lbs [0.34 Nm]

Mechanical Specification Notes:

*All cable assemblies have a length tolerance of 1.5% or $\pm 3/8$ ", whichever is greater.

Compliance Certifications (see [product page](#) for current document)

Plotted and Other Data

Notes:

Click the following link (or enter part number in "SEARCH" on website) to obtain additional part information including price, inventory and certifications: [Banana Plug to SMA Male Cable 24 Inch Length Using RG188-DS Coax PE3W06020-24](#)



Banana Plug to SMA Male Cable 24 Inch Length Using RG188-DS Coax

RF Cable Assemblies Technical Data Sheet

PE3W06020-24

How to Order

Part Number Configuration:

PE3W06020

- **xx**

uu

Unit of Measure:

cm = Centimeters

<blank> = Inches

Length

Base Number

Example: PE3W06020-12 = 12 inches long cable
PE3W06020-100cm = 100 cm long cable

Banana Plug to SMA Male Cable 24 Inch Length Using RG188-DS Coax from Pasternack Enterprises has same day shipment for domestic and International orders. Our RF, microwave and millimeter wave products maintain a 99.4% availability and are part of the broadest selection in the industry.

Click the following link (or enter part number in "SEARCH" on website) to obtain additional part information including price, inventory and certifications: [Banana Plug to SMA Male Cable 24 Inch Length Using RG188-DS Coax PE3W06020-24](https://www.pasternack.com/banana-plug-sma-male-rg188-ds-cable-assembly-pe3w06020-24-p.aspx)

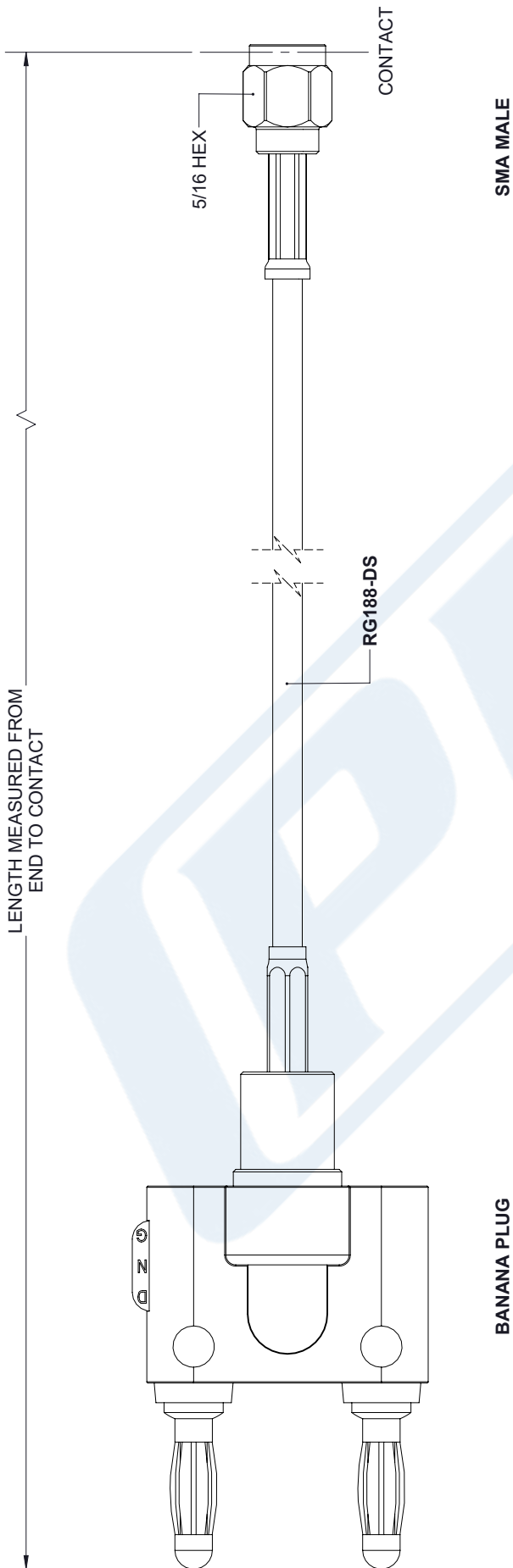
URL: <https://www.pasternack.com/banana-plug-sma-male-rg188-ds-cable-assembly-pe3w06020-24-p.aspx>

The information contained in this document is accurate to the best of our knowledge and representative of the part described herein. It may be necessary to make modifications to the part and/or the documentation of the part, in order to implement improvements. Pasternack reserves the right to make such changes as required. Unless otherwise stated, all specifications are nominal. Pasternack does not make any representation or warranty regarding the suitability of the part described herein for any particular purpose, and Pasternack does not assume any liability arising out of the use of any part or documentation.

PE3W06020-24 CAD Drawing

Banana Plug to SMA Male Cable 24 Inch Length Using RG188-DS Coax

REVISIONS			
REV.	DESCRIPTION	DATE	APPROVED
A	INITIAL RELEASE	04/23/19	S. ELLIS



<p>UNLESS OTHERWISE SPECIFIED LEADING DIMENSIONS ARE INCHES DIMENSIONS IN [] ARE MILLIMETERS</p> <p>TOLERANCES:</p> <table border="0"> <tr> <td>X±.2</td> <td>[5.08]</td> <td>FRACTIONS</td> </tr> <tr> <td>.XX±.01</td> <td>[.25]</td> <td>±.132</td> </tr> <tr> <td>.XXX±.005</td> <td>[.13]</td> <td>ANGLES ± 1°</td> </tr> </table> <p>ALL DIMENSIONS SHOWN ARE FOR REFERENCE ONLY.</p> <p>THIRD-ANGLE PROJECTION</p>	X±.2	[5.08]	FRACTIONS	.XX±.01	[.25]	±.132	.XXX±.005	[.13]	ANGLES ± 1°	<p>PE PASTERNAK an INFINITO brand</p> <p>Pasternack Enterprises, Inc. P.O. Box 16759, Irvine, CA 92623. Phone: 1.949.261.1920 1.866.727.8376 Fax: 1.949.261.7451 www.pasternack.com e-mail: sales@pasternack.com</p>	<p>THE INFORMATION AND DESIGN IN THIS DOCUMENT IS THE PROPERTY OF PASTERNAK CORPORATION. ALL RIGHTS RESERVED.</p>
	X±.2	[5.08]	FRACTIONS								
.XX±.01	[.25]	±.132									
.XXX±.005	[.13]	ANGLES ± 1°									
<p>SIZE: A</p> <p>CAGE: 53919</p> <p>DRAWN BY: K.DANG</p> <p>PART NUMBER: PE3W06020</p>	<p>SHEET 1 OF 1</p> <p>SCALE: N/A</p>	<p>REV: A</p>									

THESE COMMODITIES, TECHNOLOGY OR SOFTWARE WERE EXPORTED FROM THE UNITED STATES IN ACCORDANCE WITH THE EXPORT ADMINISTRATION REGULATIONS. DIVERSION CONTRARY TO U.S. LAW PROHIBITED.