



SMA Female 2 Hole Flange to SMP Female Cable 200 cm Length Using PE-047SR Coax

RF Cable Assemblies Technical Data Sheet

PE3W05930-200CM

Configuration

- Connector 1: SMA Female 2 Hole Flange
- Connector 2: SMP Female
- Cable Type: PE-047SR

Features

- Max Frequency 18 GHz

Applications

- General Purpose
- Laboratory Use

Description

Pasternack's PE3W05930-200CM SMA female 2 hole flange to SMP female 200 cm cable using PE-047SR coax is part of our full line of RF components available for same-day shipping. Pasternack's semi-rigid RF cable assemblies are ideal for high performance applications and can be formed, using proper tooling, to the routing pattern required. This Pasternack SMA to SMP cable assembly has a female to female gender configuration with 50 ohm semi-rigid PE-047SR coax. The PE3W05930-200CM SMA female to SMP female cable assembly operates to 18 GHz. Our RF cable assembly with SMA 2 hole flange interface allows designers to create external connections on their product enclosures, and can be used in a variety of other rack mount and panel mount applications.

Custom versions of most RF cable assemblies can be built and shipped same day. Custom cable assembly lengths can be obtained by specifying the desired length on the web site at time of order or by contacting a sales representative. Other available RF cable assembly value added services include connector orientation or clocking, heat shrink booting and custom labeling. RF testing can also be performed to document the electrical performance of your cable assembly.

Electrical Specifications

Description	Minimum	Typical	Maximum	Units
Frequency Range	DC		18	GHz
VSWR			1.5:1	

Specifications by Frequency

Description	F1	F2	F3	F4	F5	Units
Frequency	1	2	4.5	9	18	GHz
Insertion Loss (Max.)	2.824	3.48	5.119	8.072	11.876	dB

Electrical Specification Notes:

Click the following link (or enter part number in "SEARCH" on website) to obtain additional part information including price, inventory and certifications: [SMA Female 2 Hole Flange to SMP Female Cable 200 cm Length Using PE-047SR Coax PE3W05930-200CM](#)



SMA Female 2 Hole Flange to SMP Female Cable 200 cm Length Using PE-047SR Coax

RF Cable Assemblies Technical Data Sheet

PE3W05930-200CM

The Insertion Loss data above is based on the performance specifications of the coax use in this assembly. The Insertion Loss includes an estimated insertion loss of 0.2dB of connector Loss

Mechanical Specifications

Cable Assembly

Length*	78.74 in [200 cm]
Diameter	0.223 in [5.66 mm]

Cable

Cable Type	PE-047SR
Impedance	50 Ohms
Inner Conductor Type	Solid
Inner Conductor Material and Plating	Copper Clad Steel, Silver
Dielectric Type	PTFE
Number of Shields	1
Outer Conductor Material and Plating	Copper

Repeated Minimum Bend Radius	0.05 in [1.27 mm]
------------------------------	-------------------

Connectors

Description	Connector 1	Connector 2
Type	SMA Female 2 Hole Flange	SMP Female
Specification	MIL-STD-348	DESC 94008
Impedance	50 Ohms	50 Ohms
Contact Material and Plating	Beryllium Copper, Gold over Nickel	Beryllium Copper, Gold
Contact Plating Specification	MIL-G-45204	MIL-G-45204
Dielectric Type	PTFE	PTFE
Outer Conductor Material and Plating	Stainless Steel, Gold	
Outer Conductor Plating Specification	MIL-G-45204	
Body Material and Plating	Stainless Steel, Gold over Nickel	Beryllium Copper, Gold
Body Plating Specification	MIL-G-45204	MIL-G-45204

Mechanical Specification Notes:

*All cable assemblies have a length tolerance of 1.5% or $\pm 3/8$ ", whichever is greater.

Environmental Specifications

Temperature

Operating Range	-55 to +100 deg C
-----------------	-------------------

Click the following link (or enter part number in "SEARCH" on website) to obtain additional part information including price, inventory and certifications: [SMA Female 2 Hole Flange to SMP Female Cable 200 cm Length Using PE-047SR Coax PE3W05930-200CM](#)



SMA Female 2 Hole Flange to SMP Female Cable 200 cm Length Using PE-047SR Coax

RF Cable Assemblies Technical Data Sheet

PE3W05930-200CM

Compliance Certifications (see [product page](#) for current document)

Plotted and Other Data

Notes:

How to Order

Part Number Configuration:

PE3W05930 - xx uu

Unit of Measure:
cm = Centimeters
<blank> = Inches
Length
Base Number

Example: PE3W05930-12 = 12 inches long cable
PE3W05930-100cm = 100 cm long cable

SMA Female 2 Hole Flange to SMP Female Cable 200 cm Length Using PE-047SR Coax from Pasternack Enterprises has same day shipment for domestic and International orders. Our RF, microwave and millimeter wave products maintain a 99.4% availability and are part of the broadest selection in the industry.

Click the following link (or enter part number in "SEARCH" on website) to obtain additional part information including price, inventory and certifications: [SMA Female 2 Hole Flange to SMP Female Cable 200 cm Length Using PE-047SR Coax PE3W05930-200CM](#)

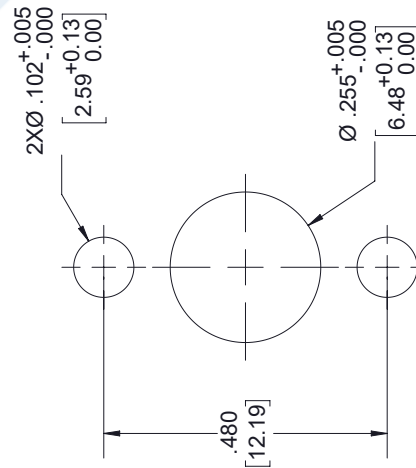
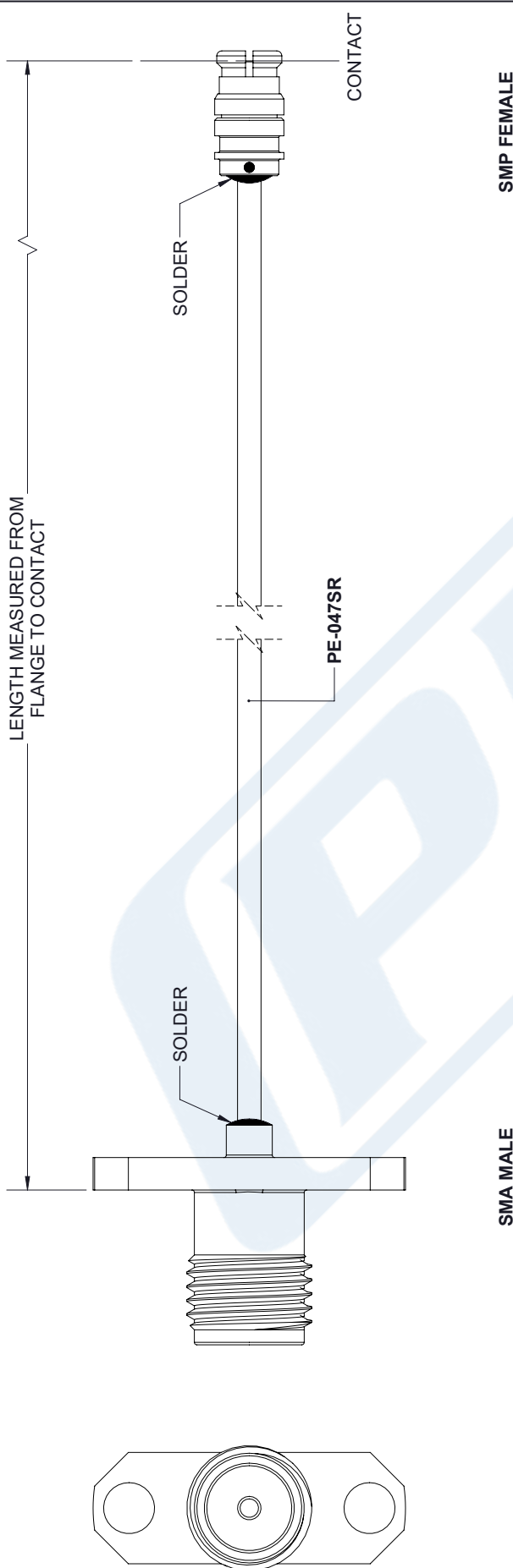
URL: <https://www.pasternack.com/sma-female-smp-female-pe-047sr-cable-assembly-pe3w05930-200cm-p.aspx>

The information contained in this document is accurate to the best of our knowledge and representative of the part described herein. It may be necessary to make modifications to the part and/or the documentation of the part, in order to implement improvements. Pasternack reserves the right to make such changes as required. Unless otherwise stated, all specifications are nominal. Pasternack does not make any representation or warranty regarding the suitability of the part described herein for any particular purpose, and Pasternack does not assume any liability arising out of the use of any part or documentation.

PE3W05930-200CM CAD Drawing

SMA Female 2 Hole Flange to SMP Female Cable 200 cm Length Using PE-047SR Coax

REVISIONS			
REV.	DESCRIPTION	DATE	APPROVED
A	INITIAL RELEASE	04/30/19	S.ELLIS



MOUNTING HOLE

UNLESS OTHERWISE SPECIFIED LEADING DIMENSIONS ARE INCHES DIMENSIONS IN [] ARE MILLIMETERS

TOLERANCES:

X±.2	[5.08]	FRACTIONS
.XX±.01	[.25]	±132
.XXX±.005	[.13]	ANGLES ± 1°

ALL DIMENSIONS SHOWN ARE FOR REFERENCE ONLY.

THIRD-ANGLE PROJECTION



PASTERNAK
an INFINITO brand

Pasternack Enterprises, Inc.
P.O. Box 16759, Irvine, CA 92623.
Phone: 1.949.261.1920 | 1.866.727.8376
Fax: 1.949.261.7451
www.pasternack.com | e-mail: sales@pasternack.com

THE INFORMATION AND DESIGN IN THIS DOCUMENT IS THE PROPERTY OF PASTERNAK CORPORATION. ALL RIGHTS RESERVED.

SHEET 1 OF 1

SCALE N/A

SIZE	CAGE	DRAWN BY	PART NUMBER	REV
A	53919	K.DANG	PE3W05930	A

THESE COMMODITIES, TECHNOLOGY OR SOFTWARE WERE EXPORTED FROM THE UNITED STATES IN ACCORDANCE WITH THE EXPORT ADMINISTRATION REGULATIONS. DIVERSION CONTRARY TO U.S. LAW PROHIBITED.