



## Push-On SMP Female Right Angle to SMA Male Right Angle Cable 48 Inch Length Using LMR-100 Coax with HeatShrink

### RF Cable Assemblies Technical Data Sheet

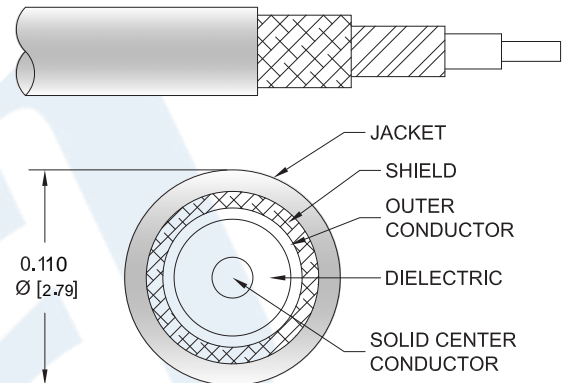
PE3W05693/HS-48

#### Configuration

- Connector 1: Push-OnSMP Female Right Angle
- Connector 2: SMA Male Right Angle
- Cable Type: LMR-100A

#### Features

- Max Frequency 3 GHz
- Shielding Effectivity > 90 dB
- 66% Phase Velocity
- Double Shielded
- PVC Jacket



#### Applications

- General Purpose
- Laboratory Use

#### Description

Pasternack's PE3W05693/HS-48 SMP female push-on right angle to SMA male right angle 48 inch cable using LMR-100 coax is part of our full line of RF components available for same-day shipping. Pasternack's flexible RF cable assemblies are ideal for applications where tight bends and flexure are required. This Pasternack SMP to SMA cable assembly has a female to male gender configuration with 50 ohm flexible LMR-100A coax. The PE3W05693/HS-48 SMP female to SMA male cable assembly operates to 3 GHz. The right angle SMP and right angle SMA interfaces on the LMR-100A cable allow for easier connections in tight spaces. The double shielding of this Pasternack cable assembly provides excellent shielding effectiveness of better than 90 dB.

Custom versions of most RF cable assemblies can be built and shipped same day. Custom cable assembly lengths can be obtained by specifying the desired length on the web site at time of order or by contacting a sales representative. Other available RF cable assembly value added services include connector orientation or clocking, heat shrink booting and custom labeling. RF testing can also be performed to document the electrical performance of your cable assembly.

Click the following link (or enter part number in "SEARCH" on website) to obtain additional part information including price, inventory and certifications: [Push-On SMP Female Right Angle to SMA Male Right Angle Cable 48 Inch Length Using LMR-100 Coax with HeatShrink PE3W05693/HS-48](#)



Push-On SMP Female Right Angle to SMA Male Right Angle  
Cable 48 Inch Length Using LMR-100 Coax with HeatShrink

RF Cable Assemblies Technical Data Sheet

PE3W05693/HS-48

**Electrical Specifications**

Description	Minimum	Typical	Maximum	Units
Frequency Range	DC		3	GHz
VSWR			1.4:1	
Velocity of Propagation		66		%
RF Shielding	90			dB
Group Delay		1.54 [5.05]		ns/ft [ns/m]
Capacitance		30.8 [101.05]		pF/ft [pF/m]
Inductance		0.077 [0.25]		uH/ft [uH/m]
DC Resistance Inner Conductor Km]		81 [265.75]		Ohms/1000ft [Ohms/ Km]
DC Resistance Outer Conductor Km]		9.5 [31.17]		Ohms/1000ft [Ohms/ Km]
Jacket Spark			2,000	Vrms

**Specifications by Frequency**

Description	F1	F2	F3	F4	F5	Units
Frequency	0.25	0.5	1	2.5	3	GHz
Insertion Loss (Max.)	0.86	1.06	1.36	2	2.14	dB

**Electrical Specification Notes:**

The Insertion Loss data above is based on the performance specifications of the coax used in this assembly. The Insertion Loss includes an estimated loss of 0.4dB of connector loss.

**Mechanical Specifications**

**Cable Assembly**

Length\* 48 in [121.92 cm]  
Diameter 0.315 in [8 mm]

**Cable**

Cable Type LMR-100A  
Impedance 50 Ohms  
Inner Conductor Type Solid  
Inner Conductor Material and Plating Copper Clad Steel  
Dielectric Type PE  
Number of Shields 2  
Shield Layer 1 Aluminum Tape  
Shield Layer 2 Tinned Copper Braid

Click the following link (or enter part number in "SEARCH" on website) to obtain additional part information including price, inventory and certifications: [Push-On SMP Female Right Angle to SMA Male Right Angle Cable 48 Inch Length Using LMR-100 Coax with HeatShrink PE3W05693/HS-48](#)



Push-On SMP Female Right Angle to SMA Male Right Angle  
Cable 48 Inch Length Using LMR-100 Coax with HeatShrink

RF Cable Assemblies Technical Data Sheet

PE3W05693/HS-48

Jacket Material	PVC, Black
Jacket Diameter	0.11 in [2.79 mm]
One Time Minimum Bend Radius	0.25 in [6.35 mm]
Repeated Minimum Bend Radius	1 in [25.4 mm]
Bending Moment	0.1 lbs-ft [0.14 N-m]
Flat Plate Crush	10 lbs/in [0.18 Kg/mm]
Tensile Strength	15 lbs [6.8 Kg]

**Connectors**

Description	Connector 1	Connector 2
Type	SMP Female Right Angle	SMA Male Right Angle
Specification	MIL-STD-348A	MIL-STD-348A
Impedance	50 Ohms	50 Ohms
Connection Method	Push-On	
Contact Material and Plating	Beryllium Copper, Gold	Brass, Gold
Contact Plating Specification	30µ in. minimum	50 µin minimum
Dielectric Type	Teflon	PTFE
Outer Conductor Material and Plating	Beryllium Copper, Gold	
Outer Conductor Plating Specification	3µ in. minimum	
Body Material and Plating	Brass, Gold	Brass, Nickel
Body Plating Specification	3µ in. minimum	100 µin minimum
Coupling Nut Material and Plating		Brass, Nickel
Coupling Nut Plating Specification		100 µin minimum
Hex Size		5/16 inch
Torque		3 in-lbs [0.34 Nm]

Mechanical Specification Notes:

\*All cable assemblies have a length tolerance of 1.5% or ± 3/8", whichever is greater.

**Environmental Specifications**

**Temperature**

Operating Range -40 to +85 deg C

**Compliance Certifications** (see [product page](#) for current document)

**Plotted and Other Data**

Notes:

Click the following link (or enter part number in "SEARCH" on website) to obtain additional part information including price, inventory and certifications: [Push-On SMP Female Right Angle to SMA Male Right Angle Cable 48 Inch Length Using LMR-100 Coax with HeatShrink PE3W05693/HS-48](#)



Push-On SMP Female Right Angle to SMA Male Right Angle  
Cable 48 Inch Length Using LMR-100 Coax with HeatShrink

RF Cable Assemblies Technical Data Sheet

PE3W05693/HS-48

**How to Order**

Part Number Configuration:

**PE3W05693/HS - xx uu**

Unit of Measure:  
cm = Centimeters  
<blank> = Inches  
Length  
Base Number

Example: PE3W05693/HS-12 = 12 inches long cable  
PE3W05693/HS-100cm = 100 cm long cable

Push-On SMP Female Right Angle to SMA Male Right Angle Cable 48 Inch Length Using LMR-100 Coax with HeatShrink from Pasternack Enterprises has same day shipment for domestic and International orders. Our RF, microwave and millimeter wave products maintain a 99.4% availability and are part of the broadest selection in the industry.

Click the following link (or enter part number in "SEARCH" on website) to obtain additional part information including price, inventory and certifications: [Push-On SMP Female Right Angle to SMA Male Right Angle Cable 48 Inch Length Using LMR-100 Coax with HeatShrink PE3W05693/HS-48](https://www.pasternack.com/smp-female-sma-male-lmr100-cable-assembly-pe3w05693-hs-48-p.aspx)

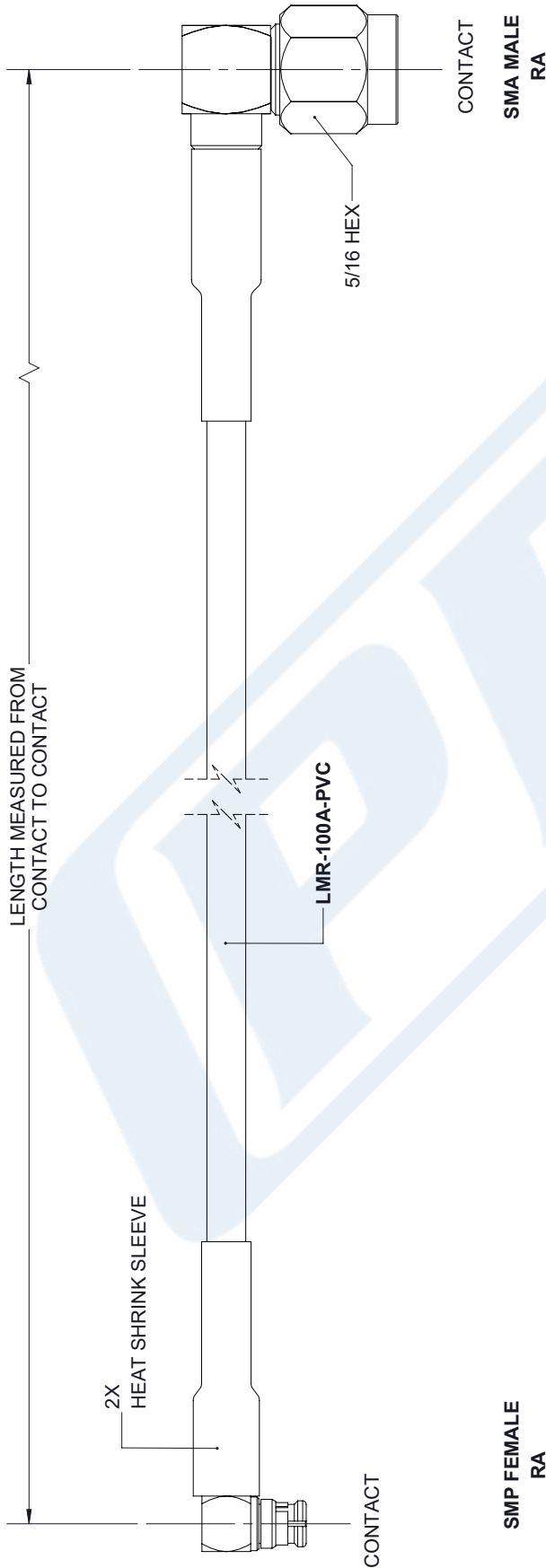
URL: <https://www.pasternack.com/smp-female-sma-male-lmr100-cable-assembly-pe3w05693-hs-48-p.aspx>

The information contained in this document is accurate to the best of our knowledge and representative of the part described herein. It may be necessary to make modifications to the part and/or the documentation of the part, in order to implement improvements. Pasternack reserves the right to make such changes as required. Unless otherwise stated, all specifications are nominal. Pasternack does not make any representation or warranty regarding the suitability of the part described herein for any particular purpose, and Pasternack does not assume any liability arising out of the use of any part or documentation.

# PE3W05693/HS-48 CAD Drawing

Push-On SMP Female Right Angle to SMA Male Right Angle Cable  
48 Inch Length Using LMR-100 Coax with HeatShrink

REVISIONS			
REV.	DESCRIPTION	DATE	APPROVED
A	INITIAL RELEASE	05/02/19	S.ELLIS



 <p><b>PASTERNAK</b> an INFINITO brand</p> <p>Pasternack Enterprises, Inc. P.O. Box 16759, Irvine, CA 92623. Phone: 1,949,261,1920   1,866,727,8376 Fax: 1,949,261,7451 www.pasternack.com   e-mail: sales@pasternack.com</p>	<p>THE INFORMATION AND DESIGN IN THIS DOCUMENT IS THE PROPERTY OF PASTERNAK CORPORATION. ALL RIGHTS RESERVED.</p>
	<p>SHEET 1 OF 1</p> <p>SCALE N/A</p>
<p>UNLESS OTHERWISE SPECIFIED LEADING DIMENSIONS ARE INCHES DIMENSIONS IN [ ] ARE MILLIMETERS</p> <p>TOLERANCES: X±.2 [5.08] FRACTIONS .XX±.01 [.25] ±.132 .XXX±.005 [.13] ANGLES ± 1°</p> <p>ALL DIMENSIONS SHOWN ARE FOR REFERENCE ONLY.</p> <p>THIRD-ANGLE PROJECTION</p>	<p>www.pasternack.com   e-mail: sales@pasternack.com</p>
<p>SIZE A</p> <p>CAGE 53919</p> <p>DRAWN BY K.DANG</p> <p>PART NUMBER PE3W05693/HS</p>	<p>REV A</p>

THESE COMMODITIES, TECHNOLOGY OR SOFTWARE WERE EXPORTED FROM THE UNITED STATES IN ACCORDANCE WITH THE EXPORT ADMINISTRATION REGULATIONS. DIVERSION CONTRARY TO U.S. LAW PROHIBITED.