



SMP Female Right Angle to SMA Female 2 Hole Flange Cable Using PE-047SR Coax

RF Cable Assemblies Technical Data Sheet

PE3W05692

Configuration

- Connector 1: SMP Female Right Angle
- Connector 2: SMA Female 2 Hole Flange
- Cable Type: PE-047SR

Features

- Max Frequency 18 GHz

Applications

- General Purpose
- Laboratory Use

Description

Pasternack's PE3W05692 SMP female right angle to SMA female 2 hole flange cable using PE-047SR coax is part of our full line of RF components available for same-day shipping. Pasternack's semi-rigid RF cable assemblies are ideal for high performance applications and can be formed, using proper tooling, to the routing pattern required. This Pasternack SMP to SMA cable assembly has a female to female gender configuration with 50 ohm semi-rigid PE-047SR coax. The PE3W05692 SMP female to SMA female cable assembly operates to 18 GHz. The right angle SMP interface on the PE-047SR cable allows for easier connections in tight spaces. Our RF cable assembly with SMA 2 hole flange interface allows designers to create external connections on their product enclosures, and can be used in a variety of other rack mount and panel mount applications.

Custom versions of most RF cable assemblies can be built and shipped same day. Custom cable assembly lengths can be obtained by specifying the desired length on the web site at time of order or by contacting a sales representative. Other available RF cable assembly value added services include connector orientation or clocking, heat shrink booting and custom labeling. RF testing can also be performed to document the electrical performance of your cable assembly.

Electrical Specifications

Description	Minimum	Typical	Maximum	Units
Frequency Range	DC		18	GHz
VSWR			1.5:1	

Specifications by Frequency

Description	F1	F2	F3	F4	F5	Units
Frequency	1	2	4.5	9	18	GHz
Insertion Loss (Max.)	0.4	0.5	0.75	1.2	1.78	dB/ft
	1.31	1.64	2.46	3.94	5.84	

Electrical Specification Notes:

Click the following link (or enter part number in "SEARCH" on website) to obtain additional part information including price, inventory and certifications: [SMP Female Right Angle to SMA Female 2 Hole Flange Cable Using PE-047SR Coax PE3W05692](#)



SMP Female Right Angle to SMA Female 2 Hole Flange Cable Using PE-047SR Coax

RF Cable Assemblies Technical Data Sheet

PE3W05692

Insertion Loss does not include the loss of the connectors. Insertion Loss is estimated as 0.2 dB per SMP female right angle connector and 0.1 dB per SMA female connector.

Mechanical Specifications

Cable Assembly

Diameter 0.223 in [5.66 mm]

Cable

Cable Type PE-047SR
 Impedance 50 Ohms
 Inner Conductor Type Solid
 Inner Conductor Material and Plating Copper Clad Steel, Silver
 Dielectric Type PTFE
 Number of Shields 1
 Outer Conductor Material and Plating Copper

Repeated Minimum Bend Radius 0.05 in [1.27 mm]

Connectors

Description	Connector 1	Connector 2
Type	SMP Female Right Angle	SMA Female 2 Hole Flange
Specification	MIL-STD-348	MIL-STD-348
Impedance	50 Ohms	50 Ohms
Contact Material and Plating	Beryllium Copper, Gold over Nickel	Beryllium Copper, Gold over Nickel
Contact Plating Specification	50 µin minimum	MIL-G-45204
Dielectric Type	PTFE	PTFE
Outer Conductor Material and Plating	Beryllium Copper, Gold over Nickel	Stainless Steel, Gold
Outer Conductor Plating Specification	50 µin minimum	MIL-G-45204
Body Material and Plating	Beryllium Copper, Gold over Nickel	Stainless Steel, Gold over Nickel
Body Plating Specification	50 µin minimum	MIL-G-45204

Compliance Certifications (see [product page](#) for current document)

Plotted and Other Data

Notes:

Click the following link (or enter part number in "SEARCH" on website) to obtain additional part information including price, inventory and certifications: [SMP Female Right Angle to SMA Female 2 Hole Flange Cable Using PE-047SR Coax PE3W05692](#)



SMP Female Right Angle to SMA Female 2 Hole Flange Cable Using PE-047SR Coax

RF Cable Assemblies Technical Data Sheet

PE3W05692

How to Order

Part Number Configuration:

PE3W05692

- **xx**

uu

Unit of Measure:
cm = Centimeters
<blank> = Inches
Length
Base Number

Example: PE3W05692-12 = 12 inches long cable
PE3W05692-100cm = 100 cm long cable

SMP Female Right Angle to SMA Female 2 Hole Flange Cable Using PE-047SR Coax from Pasternack Enterprises has same day shipment for domestic and International orders. Our RF, microwave and millimeter wave products maintain a 99.4% availability and are part of the broadest selection in the industry.

Click the following link (or enter part number in "SEARCH" on website) to obtain additional part information including price, inventory and certifications: [SMP Female Right Angle to SMA Female 2 Hole Flange Cable Using PE-047SR Coax PE3W05692](https://www.pasternack.com/smp-female-sma-female-pe-047sr-cable-assembly-pe3w05692-p.aspx)

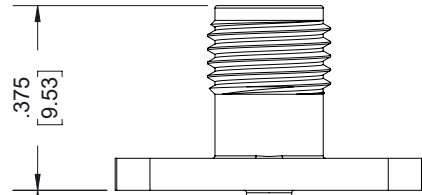
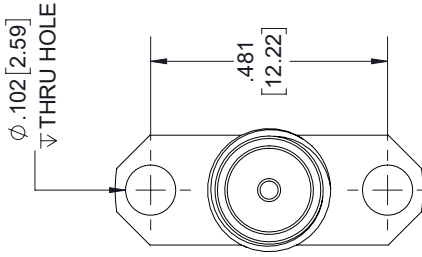
URL: <https://www.pasternack.com/smp-female-sma-female-pe-047sr-cable-assembly-pe3w05692-p.aspx>

The information contained in this document is accurate to the best of our knowledge and representative of the part described herein. It may be necessary to make modifications to the part and/or the documentation of the part, in order to implement improvements. Pasternack reserves the right to make such changes as required. Unless otherwise stated, all specifications are nominal. Pasternack does not make any representation or warranty regarding the suitability of the part described herein for any particular purpose, and Pasternack does not assume any liability arising out of the use of any part or documentation.

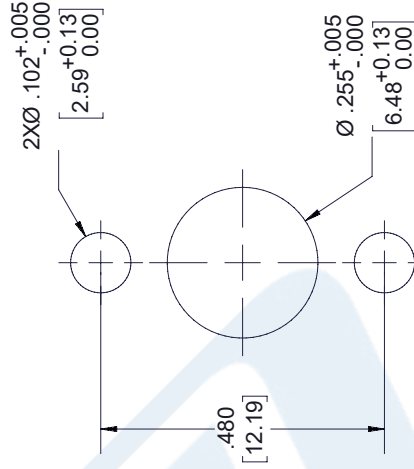
PE3W05692 CAD Drawing

SMP Female Right Angle to SMA Female 2 Hole Flange Cable Using PE-047SR Coax

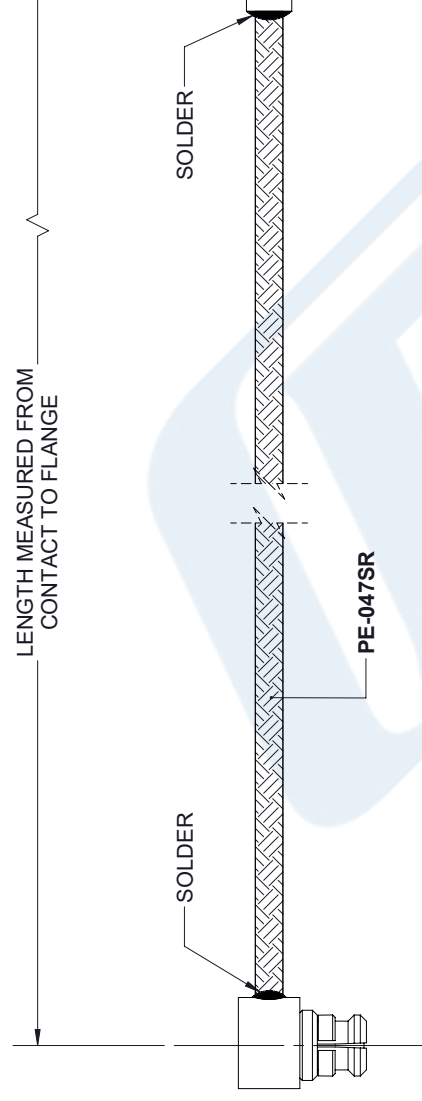
REVISIONS			
REV.	DESCRIPTION	DATE	APPROVED
A	INITIAL RELEASE	1/20/2020	S.ELLIS



SMA FEMALE
2 HOLE FLANGE



MOUNTING HOLE



CONTACT

SMP FEMALE
RA

UNLESS OTHERWISE SPECIFIED
LEADING DIMENSIONS ARE INCHES
DIMENSIONS IN [] ARE MILLIMETERS

TOLERANCES:

.X = ±.2	[5.08]	FRACTIONS	± 1/32
.XX = ±.02	[.51]	ANGLES ± 1°	
.XXX = ±.005	[.13]	CABLE LENGTH (L) TOLERANCES:	
		L ≤ 12 [305]	= +1 [25] / -0
		12 [305] < L ≤ 60 [1524]	= +2 [51] / -0
		60 [1524] < L ≤ 120 [3048]	= +4 [102] / -0
		120 [3048] < L ≤ 300 [7620]	= +6 [152] / -0
		300 [7620] < L = +5% / L / -0	

ALL DIMENSIONS SHOWN
ARE FOR REFERENCE ONLY.

PE PASTERNAK
an INFINITO brand

Pasternack Enterprises, Inc.
P. O. Box 16759, Irvine, CA 92623.
Phone: 1.949.261.1920 | 1.866.727.8376
Fax: 1.949.261.7451
Website: www.pasternack.com
E-mail: sales@pasternack.com

THIRD-ANGLE PROJECTION

THE INFORMATION AND DESIGN IN THIS DOCUMENT IS THE PROPERTY OF PASTERNAK CORPORATION. ALL RIGHTS RESERVED.

SHEET 1 OF 1
SCALE N/A

SIZE A
CAGE CODE 53919
DRAWN BY K.DANG
ITEM NO. PE3W05692
REV. A