



N Female Bulkhead to SMA Female Cable 12 Inch Length Using LMR-400-UF Coax

RF Cable Assemblies Technical Data Sheet

PE3W05630-12

Configuration

- Connector 1: N Female Bulkhead
- Connector 2: SMA Female
- Cable Type: LMR-400-UF

Features

- Max Frequency 5.8 GHz
- Shielding Effectivity > 90 dB
- 85% Phase Velocity
- Double Shielded
- TPE Jacket

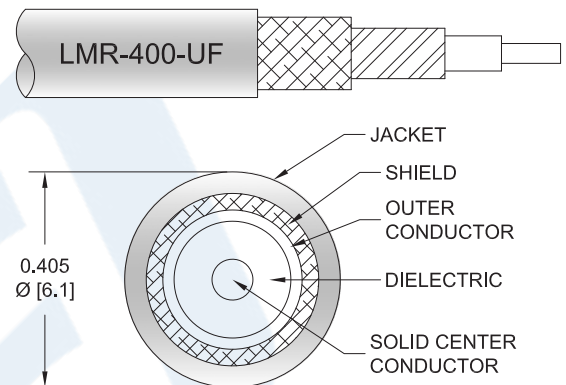
Applications

- General Purpose
- Laboratory Use

Description

Pasternack's PE3W05630-12 type N female bulkhead to SMA female 12 inch cable using LMR-400-UF coax is part of our full line of RF components available for same-day shipping. Pasternack's flexible RF cable assemblies are ideal for applications where tight bends and flexure are required. This Pasternack type N to SMA cable assembly has a female to female gender configuration with 50 ohm flexible LMR-400-UF coax. The PE3W05630-12 type N female to SMA female cable assembly operates to 5.8 GHz. Our RF cable assembly with type N bulkhead interface allows designers to create external connections on their product enclosures, and can be used in a variety of other rack mount and panel mount applications. The double shielding of this Pasternack cable assembly provides excellent shielding effectiveness of better than 90 dB.

Custom versions of most RF cable assemblies can be built and shipped same day. Custom cable assembly lengths can be obtained by specifying the desired length on the web site at time of order or by contacting a sales representative. Other available RF cable assembly value added services include connector orientation or clocking, heat shrink booting and custom labeling. RF testing can also be performed to document the electrical performance of your cable assembly.



Click the following link (or enter part number in "SEARCH" on website) to obtain additional part information including price, inventory and certifications: [N Female Bulkhead to SMA Female Cable 12 Inch Length Using LMR-400-UF Coax PE3W05630-12](#)



N Female Bulkhead to SMA Female Cable 12 Inch Length Using LMR-400-UF Coax

RF Cable Assemblies Technical Data Sheet

PE3W05630-12

Electrical Specifications

| Description | Minimum | Typical | Maximum | Units |
|--------------------------------------|---------|--------------|---------|---------------------------|
| Frequency Range | DC | | 5.8 | GHz |
| VSWR | | | 1.5:1 | |
| Velocity of Propagation | | 85 | | % |
| RF Shielding | 90 | | | dB |
| Group Delay | | 1.2 [3.94] | | ns/ft [ns/m] |
| Capacitance | | 23.9 [78.41] | | pF/ft [pF/m] |
| Inductance | | 0.06 [0.2] | | uH/ft [uH/m] |
| DC Resistance Inner Conductor Km] | | 1.07 [3.51] | | Ohms/1000ft [Ohms/ Km] |
| DC Resistance Outer Conductor Km] | | 1.65 [5.41] | | Ohms/1000ft [Ohms/ Km] |
| Jacket Spark | | | 8,000 | Vrms |

Specifications by Frequency

| Description | F1 | F2 | F3 | F4 | F5 | Units |
|-----------------------|------|------|------|-----|------|-------|
| Frequency | 0.5 | 1 | 2 | 4 | 5.8 | GHz |
| Insertion Loss (Max.) | 0.24 | 0.25 | 0.28 | 0.3 | 0.33 | dB |

Electrical Specification Notes:

The Insertion Loss data above is based on the performance specifications of the coax use in this assembly. The Insertion Loss includes an estimated insertion loss of 0.2dB of connector Loss

Mechanical Specifications

Cable Assembly

| | |
|----------|-------------------|
| Length* | 12 in [304.8 mm] |
| Diameter | 0.87 in [22.1 mm] |

Cable

| | |
|--------------------------------------|---------------------|
| Cable Type | LMR-400-UF |
| Impedance | 50 Ohms |
| Inner Conductor Type | Stranded |
| Inner Conductor Material and Plating | Copper |
| Dielectric Type | PE (F) |
| Number of Shields | 2 |
| Shield Layer 1 | Aluminum Tape |
| Shield Layer 2 | Tinned Copper Braid |

Click the following link (or enter part number in "SEARCH" on website) to obtain additional part information including price, inventory and certifications: [N Female Bulkhead to SMA Female Cable 12 Inch Length Using LMR-400-UF Coax PE3W05630-12](#)



N Female Bulkhead to SMA Female Cable
12 Inch Length Using LMR-400-UF Coax

RF Cable Assemblies Technical Data Sheet

PE3W05630-12

| | |
|------------------------------|------------------------|
| Jacket Material | TPE, Black |
| Jacket Diameter | 0.405 in [10.29 mm] |
| One Time Minimum Bend Radius | 1 in [25.4 mm] |
| Repeated Minimum Bend Radius | 4 in [101.6 mm] |
| Bending Moment | 0.38 lbs-ft [0.52 N-m] |
| Flat Plate Crush | 20 lbs/in [0.36 Kg/mm] |
| Tensile Strength | 160 lbs [72.57 Kg] |

Connectors

| Description | Connector 1 | Connector 2 |
|-------------------------------|-------------------|-------------|
| Type | N Female Bulkhead | SMA Female |
| Specification | MIL-STD-348A | |
| Impedance | 50 Ohms | 50 Ohms |
| Mating Cycles | 500 | |
| Contact Material and Plating | Brass, Gold | Brass, Gold |
| Contact Plating Specification | 30 µin minimum | |
| Dielectric Type | PTFE | PTFE |
| Body Material and Plating | Brass, Tri-Metal | Brass, Gold |

Mechanical Specification Notes:

*All cable assemblies have a length tolerance of 1.5% or ± 3/8", whichever is greater.

Compliance Certifications (see [product page](#) for current document)

Plotted and Other Data

Notes:

Click the following link (or enter part number in "SEARCH" on website) to obtain additional part information including price, inventory and certifications: [N Female Bulkhead to SMA Female Cable 12 Inch Length Using LMR-400-UF Coax PE3W05630-12](#)



N Female Bulkhead to SMA Female Cable
12 Inch Length Using LMR-400-UF Coax

RF Cable Assemblies Technical Data Sheet

PE3W05630-12

How to Order

Part Number Configuration:

PE3W05630

- **xx**

uu

Unit of Measure:
cm = Centimeters
<blank> = Inches
Length
Base Number

Example: PE3W05630-12 = 12 inches long cable
PE3W05630-100cm = 100 cm long cable

N Female Bulkhead to SMA Female Cable 12 Inch Length Using LMR-400-UF Coax from Pasternack Enterprises has same day shipment for domestic and International orders. Our RF, microwave and millimeter wave products maintain a 99.4% availability and are part of the broadest selection in the industry.

Click the following link (or enter part number in "SEARCH" on website) to obtain additional part information including price, inventory and certifications: [N Female Bulkhead to SMA Female Cable 12 Inch Length Using LMR-400-UF Coax PE3W05630-12](#)

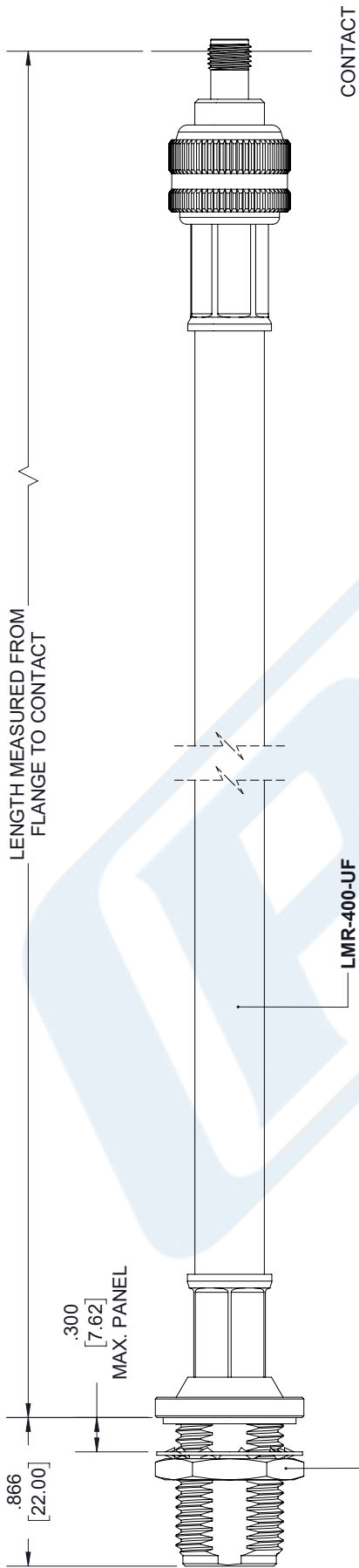
URL: <https://www.pasternack.com/n-female-sma-female-lmr400uf-cable-assembly-pe3w05630-12-p.aspx>

The information contained in this document is accurate to the best of our knowledge and representative of the part described herein. It may be necessary to make modifications to the part and/or the documentation of the part, in order to implement improvements. Pasternack reserves the right to make such changes as required. Unless otherwise stated, all specifications are nominal. Pasternack does not make any representation or warranty regarding the suitability of the part described herein for any particular purpose, and Pasternack does not assume any liability arising out of the use of any part or documentation.

PE3W05630-12 CAD Drawing

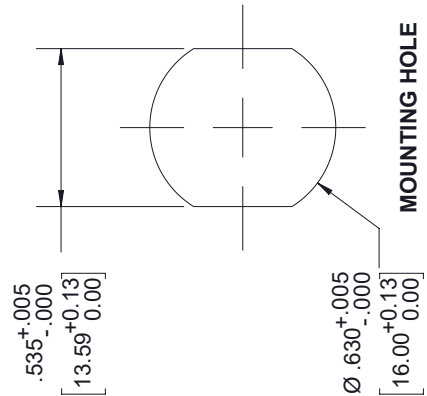
N Female Bulkhead to SMA Female Cable 12 Inch Length Using LMR-400-UF Coax

| REVISIONS | | | |
|-----------|-----------------|----------|----------|
| REV. | DESCRIPTION | DATE | APPROVED |
| A | INITIAL RELEASE | 04/30/19 | S.ELLIS |



N FEMALE
BULKHEAD

SMA FEMALE



| | | |
|---|---|---|
| <p>UNLESS OTHERWISE SPECIFIED LEADING DIMENSIONS ARE INCHES DIMENSIONS IN [] ARE MILLIMETERS</p> <p>TOLERANCES: X±.2 [5.08] FRACTIONS XX±.01 [.25] ±.132 .XXX±.005 [.13] ANGLES ± 1°</p> <p>ALL DIMENSIONS SHOWN ARE FOR REFERENCE ONLY.</p> <p>THIRD-ANGLE PROJECTION</p> | <p>PE PASTERNAK an INFINITO brand</p> <p>Pasternack Enterprises, Inc. P.O. Box 16759, Irvine, CA 92623. Phone: 1,949,261,1920 1,866,727,8376 Fax: 1,949,261,7451 www.pasternack.com e-mail: sales@pasternack.com</p> | <p>THE INFORMATION AND DESIGN IN THIS DOCUMENT IS THE PROPERTY OF PASTERNAK CORPORATION. ALL RIGHTS RESERVED.</p> |
| | | <p>SHEET 1 OF 1</p> <p>SCALE N/A</p> |
| <p>SIZE A</p> <p>CAGE 53919</p> <p>DRAWN BY K.DANG</p> <p>PART NUMBER PE3W05630</p> | <p>REV A</p> | <p>REV A</p> |

THESE COMMODITIES, TECHNOLOGY OR SOFTWARE WERE EXPORTED FROM THE UNITED STATES IN ACCORDANCE WITH THE EXPORT ADMINISTRATION REGULATIONS. DIVERSION CONTRARY TO U.S. LAW PROHIBITED.