



TNC Female Bulkhead to SMP Female Right Angle Cable 12 Inch Length Using PE-SR405FL Coax

RF Cable Assemblies Technical Data Sheet

PE3W05541-12

Configuration

- Connector 1: TNC Female Bulkhead
- Connector 2: SMP Female Right Angle
- Cable Type: PE-SR405FL

Features

- Max Frequency 6 GHz
- 69.5% Phase Velocity

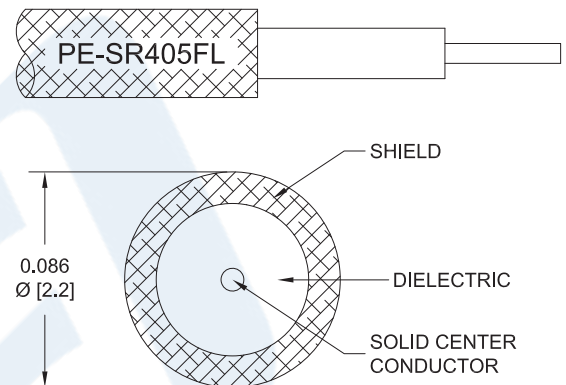
Applications

- General Purpose
- Laboratory Use

Description

Pasternack's PE3W05541-12 TNC female bulkhead to SMP female right angle 12 inch cable using PE-SR405FL coax is part of our full line of RF components available for same-day shipping. Pasternack's formable RF cable assemblies provide an alternative to costly pre-formed semi-rigid assemblies since they are hand formable. This Pasternack TNC to SMP cable assembly has a female to female gender configuration with 50 ohm formable PE-SR405FL coax. The PE3W05541-12 TNC female to SMP female cable assembly operates to 6 GHz. The right angle SMP interface on the PE-SR405FL cable allows for easier connections in tight spaces. Our RF cable assembly with TNC bulkhead interface allows designers to create external connections on their product enclosures, and can be used in a variety of other rack mount and panel mount applications.

Custom versions of most RF cable assemblies can be built and shipped same day. Custom cable assembly lengths can be obtained by specifying the desired length on the web site at time of order or by contacting a sales representative. Other available RF cable assembly value added services include connector orientation or clocking, heat shrink booting and custom labeling. RF testing can also be performed to document the electrical performance of your cable assembly.



Click the following link (or enter part number in "SEARCH" on website) to obtain additional part information including price, inventory and certifications: [TNC Female Bulkhead to SMP Female Right Angle Cable 12 Inch Length Using PE-SR405FL Coax PE3W05541-12](#)



TNC Female Bulkhead to SMP Female Right Angle Cable 12 Inch Length Using PE-SR405FL Coax

RF Cable Assemblies Technical Data Sheet

PE3W05541-12

Electrical Specifications

Description	Minimum	Typical	Maximum	Units
Frequency Range	DC		6	GHz
VSWR			1.5:1	
Velocity of Propagation		69.5		%
Capacitance		29 [95.14]		pF/ft [pF/m]
DC Resistance Inner Conductor Km]		65.7 [215.55]		Ohms/1000ft [Ohms/
DC Resistance Outer Conductor Km]		10.2 [33.46]		Ohms/1000ft [Ohms/

Specifications by Frequency

Description	F1	F2	F3	F4	F5	Units
Frequency	0.5	1	2	4	6	GHz
Insertion Loss (Max.)	0.45	0.53	0.92	1.05	1.12	dB

Electrical Specification Notes:

The Insertion Loss data above is based on the performance specifications of the coax used in this assembly. The Insertion Loss includes an estimated insertion loss of 0.3dB of connector loss.

Mechanical Specifications

Cable Assembly

Length*	12 in [304.8 mm]
Diameter	0.795 in [20.19 mm]

Cable

Cable Type	PE-SR405FL
Impedance	50 Ohms
Inner Conductor Type	Solid
Inner Conductor Material and Plating	Copper Clad Steel, Silver
Dielectric Type	PTFE
Number of Shields	1
Outer Conductor Material and Plating	Copper, Tin
Repeated Minimum Bend Radius	0.78 in [19.81 mm]

Click the following link (or enter part number in "SEARCH" on website) to obtain additional part information including price, inventory and certifications: [TNC Female Bulkhead to SMP Female Right Angle Cable 12 Inch Length Using PE-SR405FL Coax PE3W05541-12](#)



TNC Female Bulkhead to SMP Female Right Angle
Cable 12 Inch Length Using PE-SR405FL Coax

RF Cable Assemblies Technical Data Sheet

PE3W05541-12

Connectors

Description	Connector 1	Connector 2
Type	TNC Female Bulkhead	SMP Female Right Angle
Specification	MIL-STD-348	MIL-STD-348A
Impedance	50 Ohms	50 Ohms
Contact Material and Plating	Phosphor Bronze, Gold	Beryllium Copper, Gold
Contact Plating Specification	30 µin minimum	
Dielectric Type	PTFE	PTFE
Body Material and Plating	Brass, Nickel	Beryllium Copper, Gold

Mechanical Specification Notes:

*All cable assemblies have a length tolerance of 1.5% or ± 3/8", whichever is greater.

Compliance Certifications (see [product page](#) for current document)

Plotted and Other Data

Notes:

Click the following link (or enter part number in "SEARCH" on website) to obtain additional part information including price, inventory and certifications: [TNC Female Bulkhead to SMP Female Right Angle Cable 12 Inch Length Using PE-SR405FL Coax PE3W05541-12](#)



TNC Female Bulkhead to SMP Female Right Angle
Cable 12 Inch Length Using PE-SR405FL Coax

RF Cable Assemblies Technical Data Sheet

PE3W05541-12

How to Order

Part Number Configuration:

PE3W05541

- **xx**

uu

Unit of Measure:
cm = Centimeters
<blank> = Inches
Length
Base Number

Example: PE3W05541-12 = 12 inches long cable
PE3W05541-100cm = 100 cm long cable

TNC Female Bulkhead to SMP Female Right Angle Cable 12 Inch Length Using PE-SR405FL Coax from Pasternack Enterprises has same day shipment for domestic and International orders. Our RF, microwave and millimeter wave products maintain a 99.4% availability and are part of the broadest selection in the industry.

Click the following link (or enter part number in "SEARCH" on website) to obtain additional part information including price, inventory and certifications: [TNC Female Bulkhead to SMP Female Right Angle Cable 12 Inch Length Using PE-SR405FL Coax PE3W05541-12](https://www.pasternack.com/tnc-female-smp-female-pe-sr405fl-cable-assembly-pe3w05541-12-p.aspx)

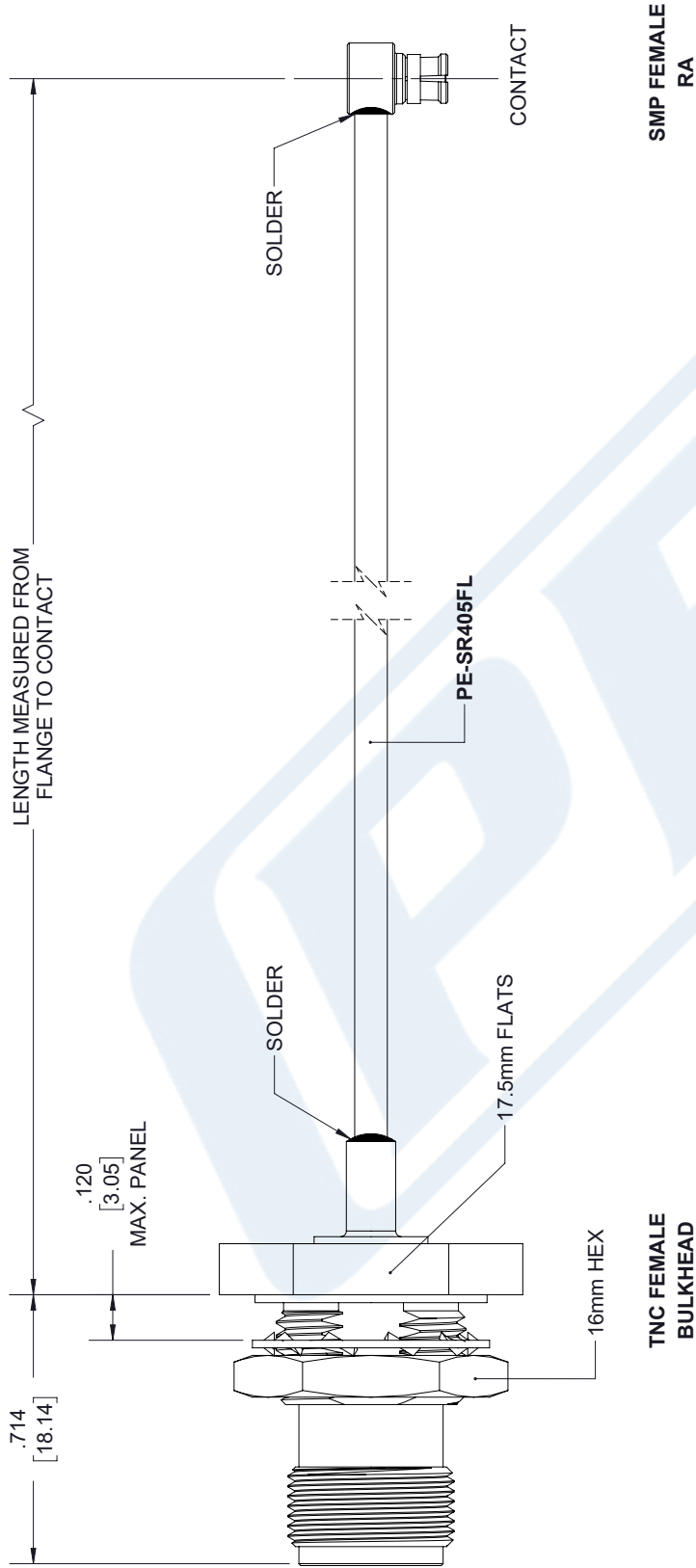
URL: <https://www.pasternack.com/tnc-female-smp-female-pe-sr405fl-cable-assembly-pe3w05541-12-p.aspx>

The information contained in this document is accurate to the best of our knowledge and representative of the part described herein. It may be necessary to make modifications to the part and/or the documentation of the part, in order to implement improvements. Pasternack reserves the right to make such changes as required. Unless otherwise stated, all specifications are nominal. Pasternack does not make any representation or warranty regarding the suitability of the part described herein for any particular purpose, and Pasternack does not assume any liability arising out of the use of any part or documentation.

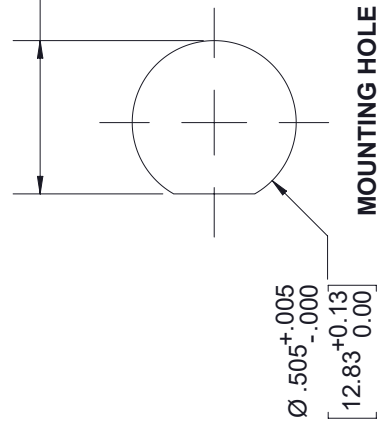
PE3W05541-12 CAD Drawing

TNC Female Bulkhead to SMP Female Right Angle Cable 12 Inch Length Using PE-SR405FL Coax

REVISIONS		
REV.	DESCRIPTION	DATE
A	INITIAL RELEASE	04/23/19
		APPROVED S. ELLIS



$.472^{+.005}$
 $-.000$
[11.99^{+0.13}
0.00]



$\text{Ø } .505^{+.005}$
 $-.000$
[12.83^{+0.13}
0.00]

UNLESS OTHERWISE SPECIFIED
LEADING DIMENSIONS ARE INCHES
DIMENSIONS IN [] ARE MILLIMETERS

TOLERANCES:
X \pm 2 [5.08] FRACTIONS
XX \pm 01 [.25] \pm 132
XXX \pm 005 [.13] ANGLES \pm 1°

ALL DIMENSIONS SHOWN
ARE FOR REFERENCE ONLY.

THIRD-ANGLE PROJECTION

PE PASTERNAK
an INFINITO brand

Pasternack Enterprises, Inc.
P.O. Box 16759, Irvine, CA 92623.
Phone: 1.949.261.1920 | 1.866.727.8376
Fax: 1.949.261.7451
www.pasternack.com | e-mail: sales@pasternack.com

SIZE [CAGE] DRAWN BY PART NUMBER
A 53919 K.DANG PE3W05541

THE INFORMATION AND
DESIGN IN THIS DOCUMENT
IS THE PROPERTY OF
PASTERNAK CORPORATION.
ALL RIGHTS RESERVED.

SHEET 1 OF 1
SCALE N/A

REV A

THESE COMMODITIES, TECHNOLOGY OR SOFTWARE WERE EXPORTED FROM THE UNITED STATES IN ACCORDANCE WITH THE EXPORT ADMINISTRATION REGULATIONS. DIVERSION CONTRARY TO U.S. LAW PROHIBITED.