



## Limited Detent SMP Male Bulkhead to SMA Male Cable 60 Inch Length Using PE-SR405FLJ Coax

### RF Cable Assemblies Technical Data Sheet

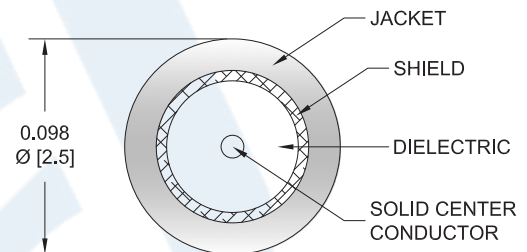
PE3W05498-60

#### Configuration

- Connector 1: Limited Detent SMP Male Bulkhead
- Connector 2: SMA Male
- Cable Type: PE-SR405FLJ

#### Features

- Max Frequency 18 GHz
- Shielding Effectivity > 100 dB
- 69.5% Phase Velocity
- FEP Jacket



#### Applications

- General Purpose
- Laboratory Use

#### Description

Pasternack's PE3W05498-60 SMP male limited detent bulkhead to SMA male 60 inch cable using PE-SR405FLJ coax is part of our full line of RF components available for same-day shipping. Pasternack's formable RF cable assemblies provide an alternative to costly pre-formed semi-rigid assemblies since they are hand formable. This Pasternack SMP to SMA cable assembly has a male to male gender configuration with 50 ohm formable PE-SR405FLJ coax. The PE3W05498-60 SMP male to SMA male cable assembly operates to 18 GHz. Our RF cable assembly with SMP bulkhead interface allows designers to create external connections on their product enclosures, and can be used in a variety of other rack mount and panel mount applications.

Custom versions of most RF cable assemblies can be built and shipped same day. Custom cable assembly lengths can be obtained by specifying the desired length on the web site at time of order or by contacting a sales representative. Other available RF cable assembly value added services include connector orientation or clocking, heat shrink booting and custom labeling. RF testing can also be performed to document the electrical performance of your cable assembly.

Click the following link (or enter part number in "SEARCH" on website) to obtain additional part information including price, inventory and certifications: [Limited Detent SMP Male Bulkhead to SMA Male Cable 60 Inch Length Using PE-SR405FLJ Coax PE3W05498-60](#)



Limited Detent SMP Male Bulkhead to SMA Male  
Cable 60 Inch Length Using PE-SR405FLJ Coax

## RF Cable Assemblies Technical Data Sheet

PE3W05498-60

### Electrical Specifications

| Description                          | Minimum | Typical       | Maximum | Units                     |
|--------------------------------------|---------|---------------|---------|---------------------------|
| Frequency Range                      | DC      |               | 18      | GHz                       |
| VSWR                                 |         |               | 1.5:1   |                           |
| Velocity of Propagation              |         | 69.5          |         | %                         |
| RF Shielding                         | 100     |               |         | dB                        |
| Group Delay                          |         | 1.43 [4.69]   |         | ns/ft [ns/m]              |
| Capacitance                          |         | 29 [95.14]    |         | pF/ft [pF/m]              |
| DC Resistance Inner Conductor<br>Km] |         | 65.7 [215.55] |         | Ohms/1000ft [Ohms/<br>Km] |
| DC Resistance Outer Conductor<br>Km] |         | 10.2 [33.46]  |         | Ohms/1000ft [Ohms/<br>Km] |
| Operating Voltage (AC)               |         |               | 335     | Vrms                      |

### Specifications by Frequency

| Description           | F1   | F2   | F3   | F4 | F5  | Units |
|-----------------------|------|------|------|----|-----|-------|
| Frequency             | 1    | 2    | 4.5  | 9  | 18  | GHz   |
| Insertion Loss (Max.) | 1.33 | 1.73 | 2.74 | 4  | 5.8 | dB    |

#### Electrical Specification Notes:

The Insertion Loss data above is based on the performance specifications of the coax use in this assembly. The Insertion Loss includes an estimated insertion loss of 0.2dB of connector Loss

### Mechanical Specifications

#### Cable Assembly

Length\* 60 in [152.4 cm]  
Diameter 0.315 in [8 mm]

#### Cable

Cable Type PE-SR405FLJ  
Impedance 50 Ohms  
Inner Conductor Type Solid  
Inner Conductor Material and Plating Copper Clad Steel, Silver  
Dielectric Type PTFE  
Number of Shields 1  
Outer Conductor Material and Plating Tinned Copper Composite Braid

Click the following link (or enter part number in "SEARCH" on website) to obtain additional part information including price, inventory and certifications: [Limited Detent SMP Male Bulkhead to SMA Male Cable 60 Inch Length Using PE-SR405FLJ Coax PE3W05498-60](#)



Limited Detent SMP Male Bulkhead to SMA Male  
Cable 60 Inch Length Using PE-SR405FLJ Coax

RF Cable Assemblies Technical Data Sheet

PE3W05498-60

|                              |                     |
|------------------------------|---------------------|
| Jacket Material              | FEP, Black          |
| Jacket Diameter              | 0.105 in [2.67 mm]  |
| One Time Minimum Bend Radius | 0.5 in [12.7 mm]    |
| Repeated Minimum Bend Radius | 0.787 in [19.99 mm] |

**Connectors**

| Description                        | Connector 1       | Connector 2        |
|------------------------------------|-------------------|--------------------|
| Type                               | SMP Male Bulkhead | SMA Male           |
| Specification                      | MIL-STD-348A      | MIL-STD-348A       |
| Impedance                          | 50 Ohms           | 50 Ohms            |
| Connection Method                  | Limited Detent    |                    |
| Mating Cycles                      | 500               |                    |
| Contact Material and Plating       | Brass, Gold       | Brass, Gold        |
| Contact Plating Specification      |                   | 50µ in. minimum    |
| Dielectric Type                    | PTFE              | Teflon             |
| Body Material and Plating          | Brass, Gold       | Brass, Gold        |
| Body Plating Specification         |                   | 3µ in. minimum     |
| Coupling Nut Material and Plating  |                   | Brass, Gold        |
| Coupling Nut Plating Specification |                   | 3µ in. minimum     |
| Hex Size                           |                   | 5/16 Inch          |
| Torque                             |                   | 3 in-lbs [0.34 Nm] |

Mechanical Specification Notes:

\*All cable assemblies have a length tolerance of 1.5% or ± 3/8", whichever is greater.

**Environmental Specifications**

**Temperature**

Operating Range -55 to +125 deg C

**Compliance Certifications** (see [product page](#) for current document)

**Plotted and Other Data**

Notes:

Click the following link (or enter part number in "SEARCH" on website) to obtain additional part information including price, inventory and certifications: [Limited Detent SMP Male Bulkhead to SMA Male Cable 60 Inch Length Using PE-SR405FLJ Coax PE3W05498-60](#)



Limited Detent SMP Male Bulkhead to SMA Male  
Cable 60 Inch Length Using PE-SR405FLJ Coax

## RF Cable Assemblies Technical Data Sheet

PE3W05498-60

### How to Order

Part Number Configuration:

**PE3W05498**

- **xx**

**uu**

Unit of Measure:

cm = Centimeters

<blank> = Inches

Length

Base Number

Example: PE3W05498-12 = 12 inches long cable  
PE3W05498-100cm = 100 cm long cable

Limited Detent SMP Male Bulkhead to SMA Male Cable 60 Inch Length Using PE-SR405FLJ Coax from Pasternack Enterprises has same day shipment for domestic and International orders. Our RF, microwave and millimeter wave products maintain a 99.4% availability and are part of the broadest selection in the industry.

Click the following link (or enter part number in "SEARCH" on website) to obtain additional part information including price, inventory and certifications: [Limited Detent SMP Male Bulkhead to SMA Male Cable 60 Inch Length Using PE-SR405FLJ Coax PE3W05498-60](#)

URL: <https://www.pasternack.com/smp-male-sma-male-pe-sr405flj-cable-assembly-pe3w05498-60-p.aspx>

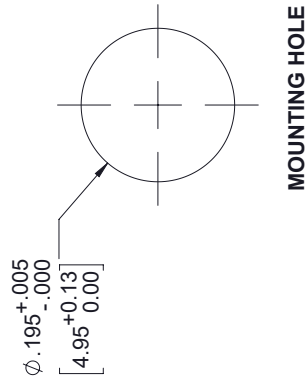
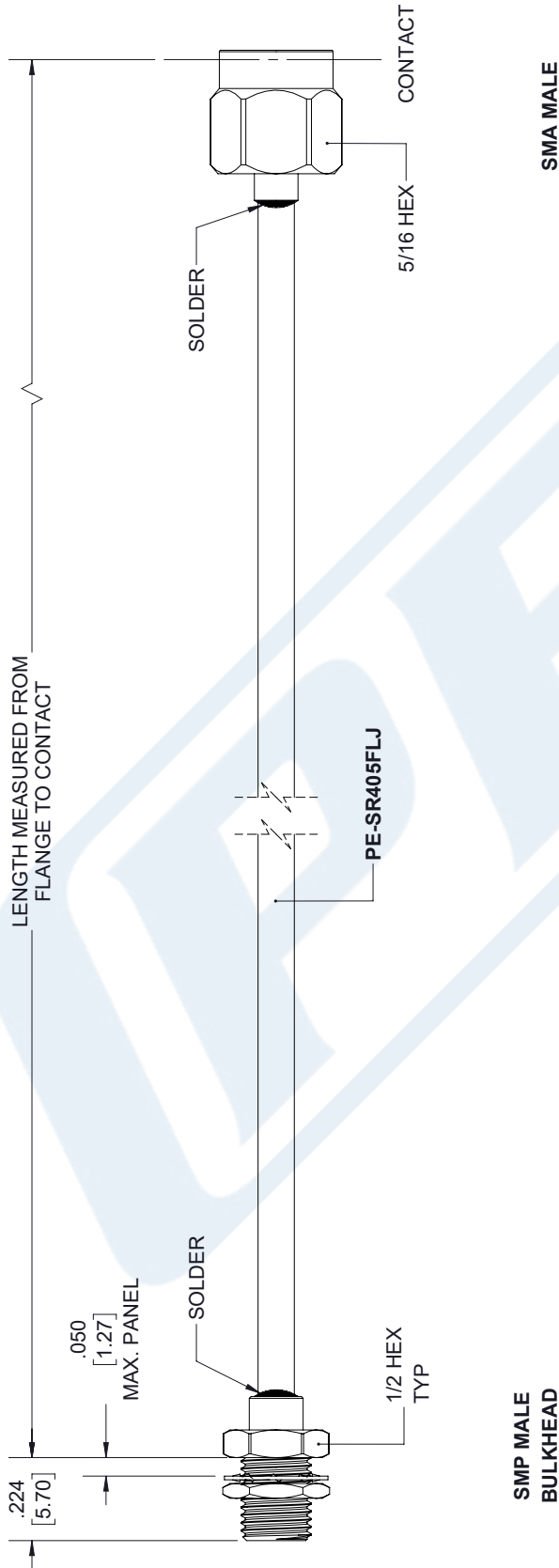
The information contained in this document is accurate to the best of our knowledge and representative of the part described herein. It may be necessary to make modifications to the part and/or the documentation of the part, in order to implement improvements. Pasternack reserves the right to make such changes as required. Unless otherwise stated, all specifications are nominal. Pasternack does not make any representation or warranty regarding the suitability of the part described herein for any particular purpose, and Pasternack does not assume any liability arising out of the use of any part or documentation.

# PE3W05498-60 CAD Drawing

## Limited Detent SMP Male Bulkhead to SMA Male Cable

### 60 Inch Length Using PE-SR405FLJ Coax

| REVISIONS |                 |          |          |
|-----------|-----------------|----------|----------|
| REV.      | DESCRIPTION     | DATE     | APPROVED |
| A         | INITIAL RELEASE | 04/23/19 | S.ELLIS  |



|   |        |             |           |         |       |       |           |       |             |  |  |
|---|--------|-------------|-----------|---------|-------|-------|-----------|-------|-------------|--|--|
| <p>UNLESS OTHERWISE SPECIFIED<br/>LEADING DIMENSIONS ARE INCHES<br/>DIMENSIONS IN [ ] ARE MILLIMETERS</p> <p>TOLERANCES:</p> <table style="font-size: small;"> <tr> <td>X±.2</td> <td>[5.08]</td> <td>FRACTIONS</td> </tr> <tr> <td>.XX±.01</td> <td>[.25]</td> <td>±.132</td> </tr> <tr> <td>.XXX±.005</td> <td>[.13]</td> <td>ANGLES ± 1°</td> </tr> </table> <p>ALL DIMENSIONS SHOWN<br/>ARE FOR REFERENCE ONLY.</p> <p>THIRD-ANGLE PROJECTION</p> | X±.2   | [5.08]      | FRACTIONS | .XX±.01 | [.25] | ±.132 | .XXX±.005 | [.13] | ANGLES ± 1° | <p>Pasternack Enterprises, Inc.<br/>P.O. Box 16759, Irvine, CA 92623.<br/>Phone: 1.949.261.1920   1.866.727.8376<br/>Fax: 1.949.261.7451<br/>www.pasternack.com   e-mail: sales@pasternack.com</p> | <p>THE INFORMATION AND DESIGN IN THIS DOCUMENT IS THE PROPERTY OF PASTERNAK CORPORATION. ALL RIGHTS RESERVED.</p> <p>SHEET 1 OF 1</p> <p>SCALE N/A</p> |
| X±.2  | [5.08] | FRACTIONS   |           |         |       |       |           |       |             |  |  |
| .XX±.01   | [.25]  | ±.132       |           |         |       |       |           |       |             |  |  |
| .XXX±.005   | [.13]  | ANGLES ± 1° |           |         |       |       |           |       |             |  |  |
| <p>SIZE A</p> <p>CAGE 53919</p> <p>DRAWN BY K.DANG</p> <p>PART NUMBER PE3W05498</p> <p>REV A</p>  |        |             |           |         |       |       |           |       |             |  |  |

THESE COMMODITIES, TECHNOLOGY OR SOFTWARE WERE EXPORTED FROM THE UNITED STATES IN ACCORDANCE WITH THE EXPORT ADMINISTRATION REGULATIONS. DIVERSION CONTRARY TO U.S. LAW PROHIBITED.