



N Female Bulkhead to SMP Female Right Angle Cable 48 Inch Length Using RG178 Coax

RF Cable Assemblies Technical Data Sheet

PE3W04763-48

Configuration

- Connector 1: N Female Bulkhead
- Connector 2: SMP Female Right Angle
- Cable Type: RG178

Features

- Max Frequency 1 GHz
- 70% Phase Velocity
- FEP Jacket

Applications

- General Purpose
- Laboratory Use

Description

Pasternack's PE3W04763-48 type N female bulkhead to SMP female right angle 48 inch cable using RG178 coax is part of our full line of RF components available for same-day shipping. Pasternack's flexible RF cable assemblies are ideal for applications where tight bends and flexure are required. This Pasternack type N to SMP cable assembly has a female to female gender configuration with 50 ohm flexible RG178 coax. The PE3W04763-48 type N female to SMP female cable assembly operates to 1 GHz. The right angle SMP interface on the RG178 cable allows for easier connections in tight spaces. Our RF cable assembly with type N bulkhead interface allows designers to create external connections on their product enclosures, and can be used in a variety of other rack mount and panel mount applications.

Custom versions of most RF cable assemblies can be built and shipped same day. Custom cable assembly lengths can be obtained by specifying the desired length on the web site at time of order or by contacting a sales representative. Other available RF cable assembly value added services include connector orientation or clocking, heat shrink booting and custom labeling. RF testing can also be performed to document the electrical performance of your cable assembly.

Electrical Specifications

Description	Minimum	Typical	Maximum	Units
Frequency Range	DC		1,000	MHz
VSWR			1.4:1	
Velocity of Propagation		70		%
Capacitance		29.4 [96.46]		pF/ft [pF/m]

Click the following link (or enter part number in "SEARCH" on website) to obtain additional part information including price, inventory and certifications: [N Female Bulkhead to SMP Female Right Angle Cable 48 Inch Length Using RG178 Coax PE3W04763-48](#)



N Female Bulkhead to SMP Female Right Angle Cable 48 Inch Length Using RG178 Coax

RF Cable Assemblies Technical Data Sheet

PE3W04763-48

Specifications by Frequency

Description	F1	F2	F3	F4	F5	Units
Frequency	100	400	1,000			MHz
Insertion Loss (Max.)	0.72	1.28	1.96			dB

Electrical Specification Notes:

The Insertion Loss data above is based on the performance specifications of the coax cable used in this assembly. The Insertion Loss includes an estimated insertion loss of 0.1dB per connector

Mechanical Specifications

Cable Assembly

Length* 48 in [121.92 cm]
 Diameter 0.8 in [20.32 mm]

Cable

Cable Type RG178
 Impedance 50 Ohms
 Inner Conductor Type Stranded
 Inner Conductor Material and Plating Copper Clad Steel, Silver
 Dielectric Type PTFE
 Number of Shields 1
 Shield Layer 1 Silver Plated Copper Braid
 Jacket Material FEP, Tan
 Jacket Diameter 0.072 in [1.83 mm]

Repeated Minimum Bend Radius 0.4 in [10.16 mm]

Connectors

Description	Connector 1	Connector 2
Type	N Female Bulkhead	SMP Female Right Angle
Specification		MIL-STD-348
Impedance	50 Ohms	50 Ohms
Contact Material and Plating		Beryllium Copper, Gold
Contact Plating Specification		MIL-G-45204
Dielectric Type		PTFE
Body Material and Plating	Brass, Nickel	Beryllium Copper, Gold
Body Plating Specification		MIL-G-45204

Mechanical Specification Notes:

Click the following link (or enter part number in "SEARCH" on website) to obtain additional part information including price, inventory and certifications: [N Female Bulkhead to SMP Female Right Angle Cable 48 Inch Length Using RG178 Coax PE3W04763-48](#)



N Female Bulkhead to SMP Female Right Angle
Cable 48 Inch Length Using RG178 Coax

RF Cable Assemblies Technical Data Sheet

PE3W04763-48

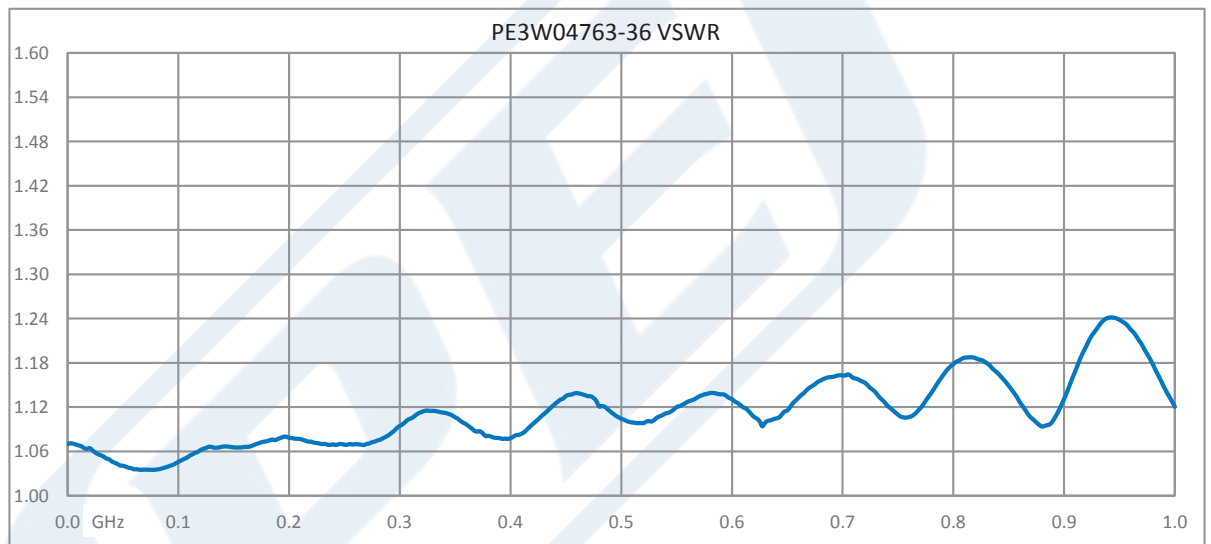
*All cable assemblies have a length tolerance of 1.5% or $\pm 3/8$ ", whichever is greater.

Compliance Certifications (see [product page](#) for current document)

Plotted and Other Data

Notes:

Typical Performance Data



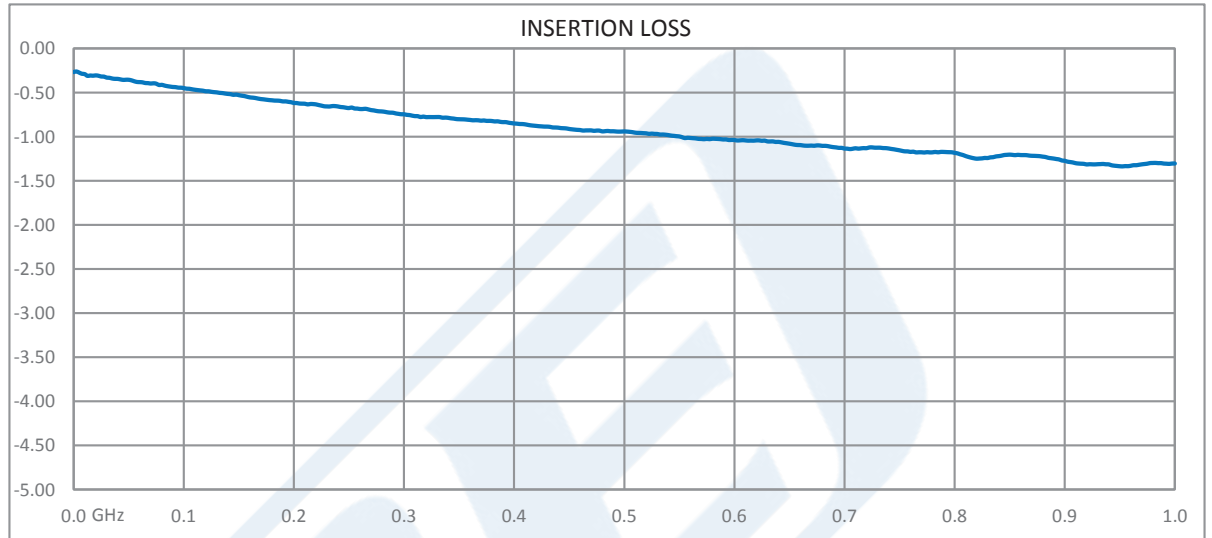
Click the following link (or enter part number in "SEARCH" on website) to obtain additional part information including price, inventory and certifications: [N Female Bulkhead to SMP Female Right Angle Cable 48 Inch Length Using RG178 Coax PE3W04763-48](#)



N Female Bulkhead to SMP Female Right Angle
Cable 48 Inch Length Using RG178 Coax

RF Cable Assemblies Technical Data Sheet

PE3W04763-48



Click the following link (or enter part number in "SEARCH" on website) to obtain additional part information including price, inventory and certifications: [N Female Bulkhead to SMP Female Right Angle Cable 48 Inch Length Using RG178 Coax PE3W04763-48](#)



N Female Bulkhead to SMP Female Right Angle
Cable 48 Inch Length Using RG178 Coax

RF Cable Assemblies Technical Data Sheet

PE3W04763-48

How to Order

Part Number Configuration:

PE3W04763

- **xx**

uu

Unit of Measure:
cm = Centimeters
<blank> = Inches
Length
Base Number

Example: PE3W04763-12 = 12 inches long cable
PE3W04763-100cm = 100 cm long cable

N Female Bulkhead to SMP Female Right Angle Cable 48 Inch Length Using RG178 Coax from Pasternack Enterprises has same day shipment for domestic and International orders. Our RF, microwave and millimeter wave products maintain a 99.4% availability and are part of the broadest selection in the industry.

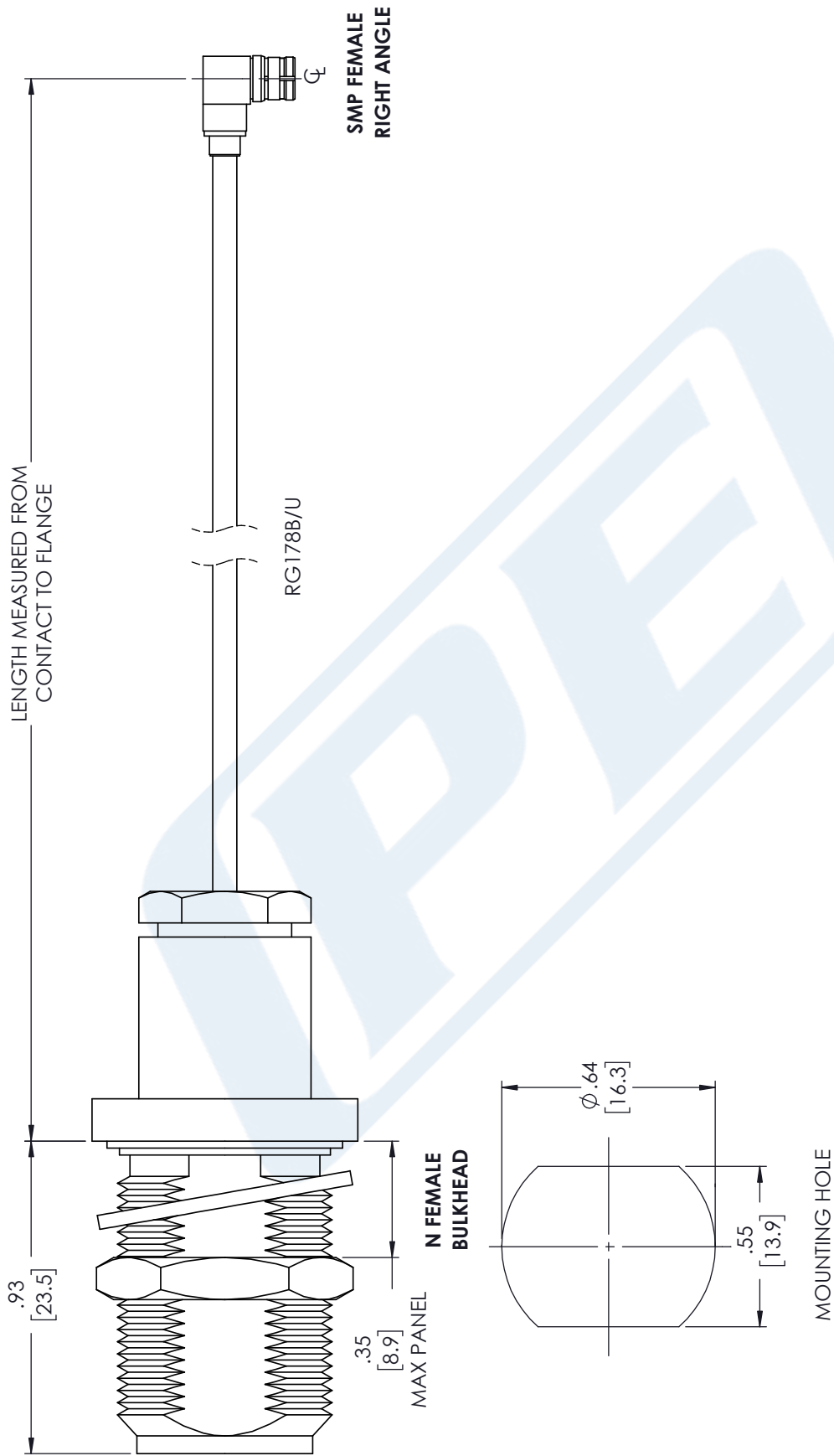
Click the following link (or enter part number in "SEARCH" on website) to obtain additional part information including price, inventory and certifications: [N Female Bulkhead to SMP Female Right Angle Cable 48 Inch Length Using RG178 Coax PE3W04763-48](https://www.pasternack.com/n-female-smp-female-rg178bu-cable-assembly-pe3w04763-48-p.aspx)

URL: <https://www.pasternack.com/n-female-smp-female-rg178bu-cable-assembly-pe3w04763-48-p.aspx>

The information contained in this document is accurate to the best of our knowledge and representative of the part described herein. It may be necessary to make modifications to the part and/or the documentation of the part, in order to implement improvements. Pasternack reserves the right to make such changes as required. Unless otherwise stated, all specifications are nominal. Pasternack does not make any representation or warranty regarding the suitability of the part described herein for any particular purpose, and Pasternack does not assume any liability arising out of the use of any part or documentation.

PE3W04763-48 CAD Drawing

N Female Bulkhead to SMP Female Right Angle Cable 48 Inch Length Using RG178 Coax



NOTES:
 1. UNLESS OTHERWISE SPECIFIED ALL DIMENSIONS ARE NOMINAL.
 2. ALL SPECIFICATIONS ARE SUBJECT TO CHANGE WITHOUT NOTICE AT ANY TIME.
 3. DIMENSIONS ARE IN INCHES [mm].

DWG TITLE
 PE3W04763

PE PASTERNAK
 THE ENGINEER'S RF SOURCE
 Pasternack Enterprises, Inc.
 P.O. Box 16759 | Irvine | CA | 92623
 Phone: (949) 261-1920 | Fax: (949) 261-7451
 Website: www.pasternack.com | E-Mail: sales@pasternack.com

CAD FILE 05/02/18

CAGE CODE 53919

SCALE N/A

SIZE A

CN2379