



MCX Plug Right Angle to BNC Female 4 Hole Flange  
Cable 48 Inch Length Using RG316-DS Coax

RF Cable Assemblies Technical Data Sheet

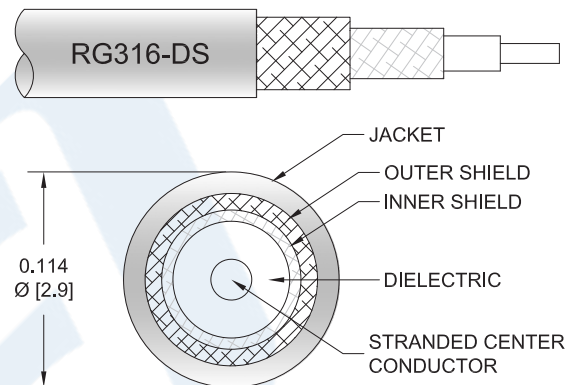
PE3W01570-48

**Configuration**

- Connector 1: MCX Plug Right Angle
- Connector 2: BNC Female 4 Hole Flange
- Cable Type: RG316-DS

**Features**

- Max Frequency 2 GHz
- 70% Phase Velocity
- Double Shielded
- FEP Jacket



**Applications**

- General Purpose
- Laboratory Use

**Description**

Pasternack's PE3W01570-48 MCX plug right angle to BNC female 4 hole flange 48 inch cable using RG316-DS coax is part of our full line of RF components available for same-day shipping. Pasternack's flexible RF cable assemblies are ideal for applications where tight bends and flexure are required. This Pasternack MCX to BNC cable assembly has a plug to female gender configuration with 50 ohm flexible RG316-DS coax. The PE3W01570-48 MCX plug to BNC female cable assembly operates to 2 GHz. The right angle MCX interface on the RG316-DS cable allows for easier connections in tight spaces. Our RF cable assembly with BNC 4 hole flange interface allows designers to create external connections on their product enclosures, and can be used in a variety of other rack mount and panel mount applications. The double shielding of this Pasternack cable assembly provides excellent shielding effectiveness.

Custom versions of most RF cable assemblies can be built and shipped same day. Custom cable assembly lengths can be obtained by specifying the desired length on the web site at time of order or by contacting a sales representative. Other available RF cable assembly value added services include connector orientation or clocking, heat shrink booting and custom labeling. RF testing can also be performed to document the electrical performance of your cable assembly.

**Electrical Specifications**

Description	Minimum	Typical	Maximum	Units
Frequency Range	DC		2	GHz
VSWR			1.4:1	
Velocity of Propagation		70		%
Capacitance		29.4 [96.46]		pF/ft [pF/m]

Click the following link (or enter part number in "SEARCH" on website) to obtain additional part information including price, inventory and certifications: [MCX Plug Right Angle to BNC Female 4 Hole Flange Cable 48 Inch Length Using RG316-DS Coax PE3W01570-48](#)



## MCX Plug Right Angle to BNC Female 4 Hole Flange Cable 48 Inch Length Using RG316-DS Coax

### RF Cable Assemblies Technical Data Sheet

PE3W01570-48

#### Specifications by Frequency

Description	F1	F2	F3	F4	F5	Units
Frequency	0.1	0.25	0.5	1	2	GHz
Insertion Loss (Max.)	0.62	0.78	1.02	1.34	1.78	dB

#### Electrical Specification Notes:

The Insertion Loss data above is based on the performance specifications of the coax cable used in this assembly. The Insertion Loss includes as estimated insertin loss of 0.1 dB per connector.

#### Mechanical Specifications

##### Cable Assembly

Length*	48 in [121.92 cm]
Diameter	0.7 in [17.78 mm]
Weight	0.14 lbs [63.5 g]

##### Cable

Cable Type	RG316-DS
Impedance	50 Ohms
Inner Conductor Type	Stranded
Inner Conductor Material and Plating	Copper Clad Steel, Silver
Dielectric Type	PTFE
Number of Shields	2
Shield Layer 1	Silver Plated Copper Braid
Shield Layer 2	Silver Plated Copper Braid
Jacket Material	FEP, Tan
Jacket Diameter	0.114 in [2.9 mm]

One Time Minimum Bend Radius	0.59 in [14.99 mm]
------------------------------	--------------------

#### Connectors

Description	Connector 1	Connector 2
Type	MCX Plug Right Angle	BNC Female 4 Hole Flange
Specification		MIL-STD-348
Impedance	50 Ohms	50 Ohms
Contact Material and Plating		Beryllium Copper, Gold
Dielectric Type		PTFE
Body Material and Plating	Brass, Nickel	Brass, Nickel

#### Mechanical Specification Notes:

Click the following link (or enter part number in "SEARCH" on website) to obtain additional part information including price, inventory and certifications: [MCX Plug Right Angle to BNC Female 4 Hole Flange Cable 48 Inch Length Using RG316-DS Coax PE3W01570-48](#)



MCX Plug Right Angle to BNC Female 4 Hole Flange  
Cable 48 Inch Length Using RG316-DS Coax

RF Cable Assemblies Technical Data Sheet

PE3W01570-48

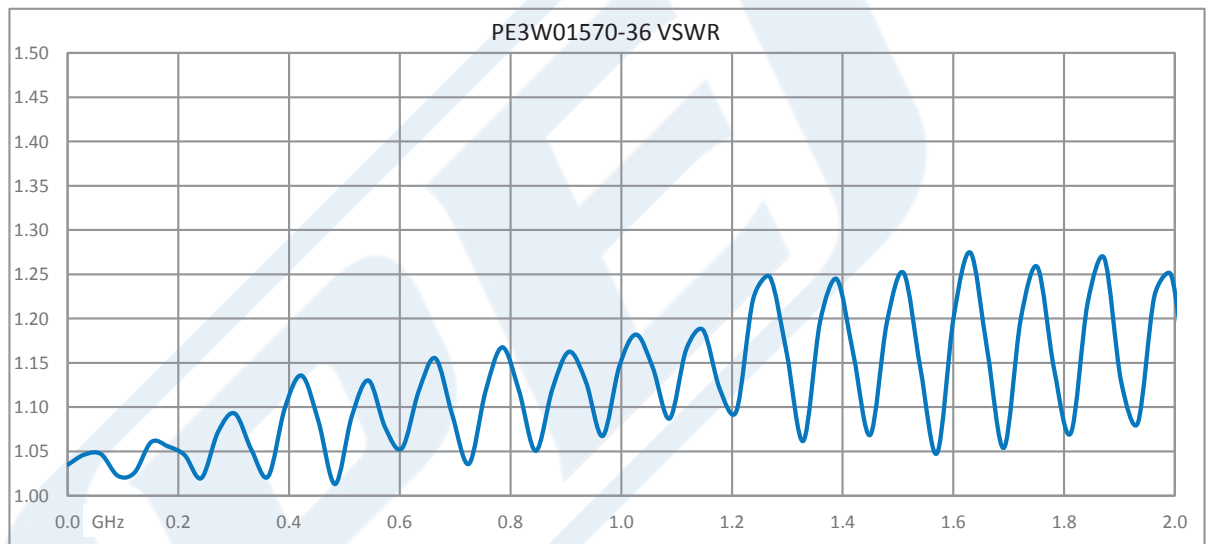
\*All cable assemblies have a length tolerance of 1.5% or  $\pm 3/8$ ", whichever is greater.

**Compliance Certifications** (see [product page](#) for current document)

**Plotted and Other Data**

Notes:

**Typical Performance Data**



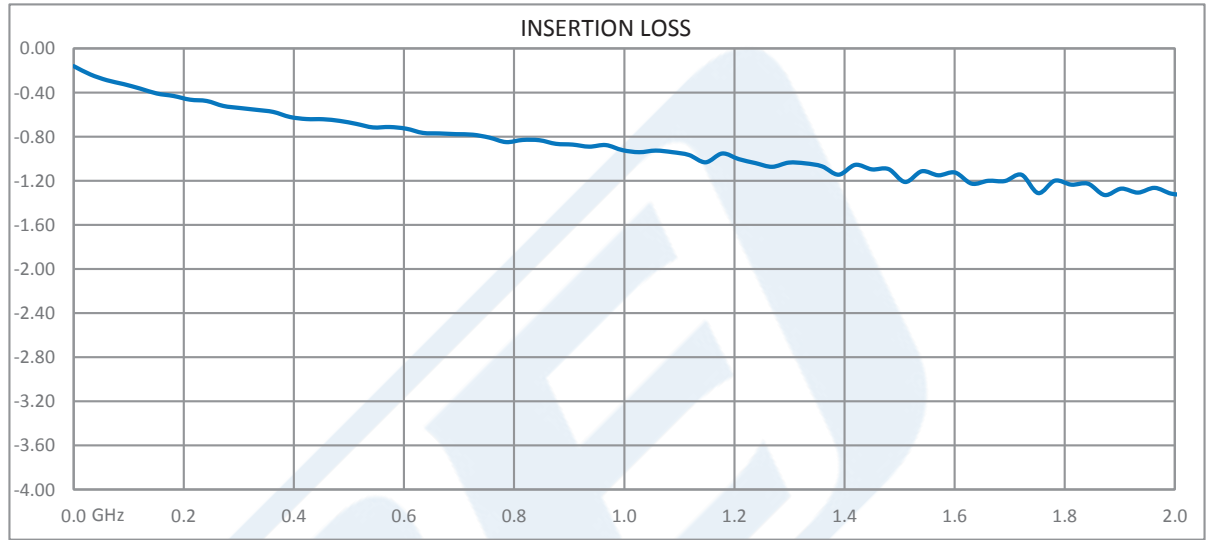
Click the following link (or enter part number in "SEARCH" on website) to obtain additional part information including price, inventory and certifications: [MCX Plug Right Angle to BNC Female 4 Hole Flange Cable 48 Inch Length Using RG316-DS Coax PE3W01570-48](#)



MCX Plug Right Angle to BNC Female 4 Hole Flange  
Cable 48 Inch Length Using RG316-DS Coax

RF Cable Assemblies Technical Data Sheet

PE3W01570-48



Click the following link (or enter part number in "SEARCH" on website) to obtain additional part information including price, inventory and certifications: [MCX Plug Right Angle to BNC Female 4 Hole Flange Cable 48 Inch Length Using RG316-DS Coax PE3W01570-48](#)



MCX Plug Right Angle to BNC Female 4 Hole Flange  
Cable 48 Inch Length Using RG316-DS Coax

RF Cable Assemblies Technical Data Sheet

PE3W01570-48

**How to Order**

Part Number Configuration:

**PE3W01570**

- **xx**

**uu**

Unit of Measure:  
cm = Centimeters  
<blank> = Inches  
Length  
Base Number

Example: PE3W01570-12 = 12 inches long cable  
PE3W01570-100cm = 100 cm long cable

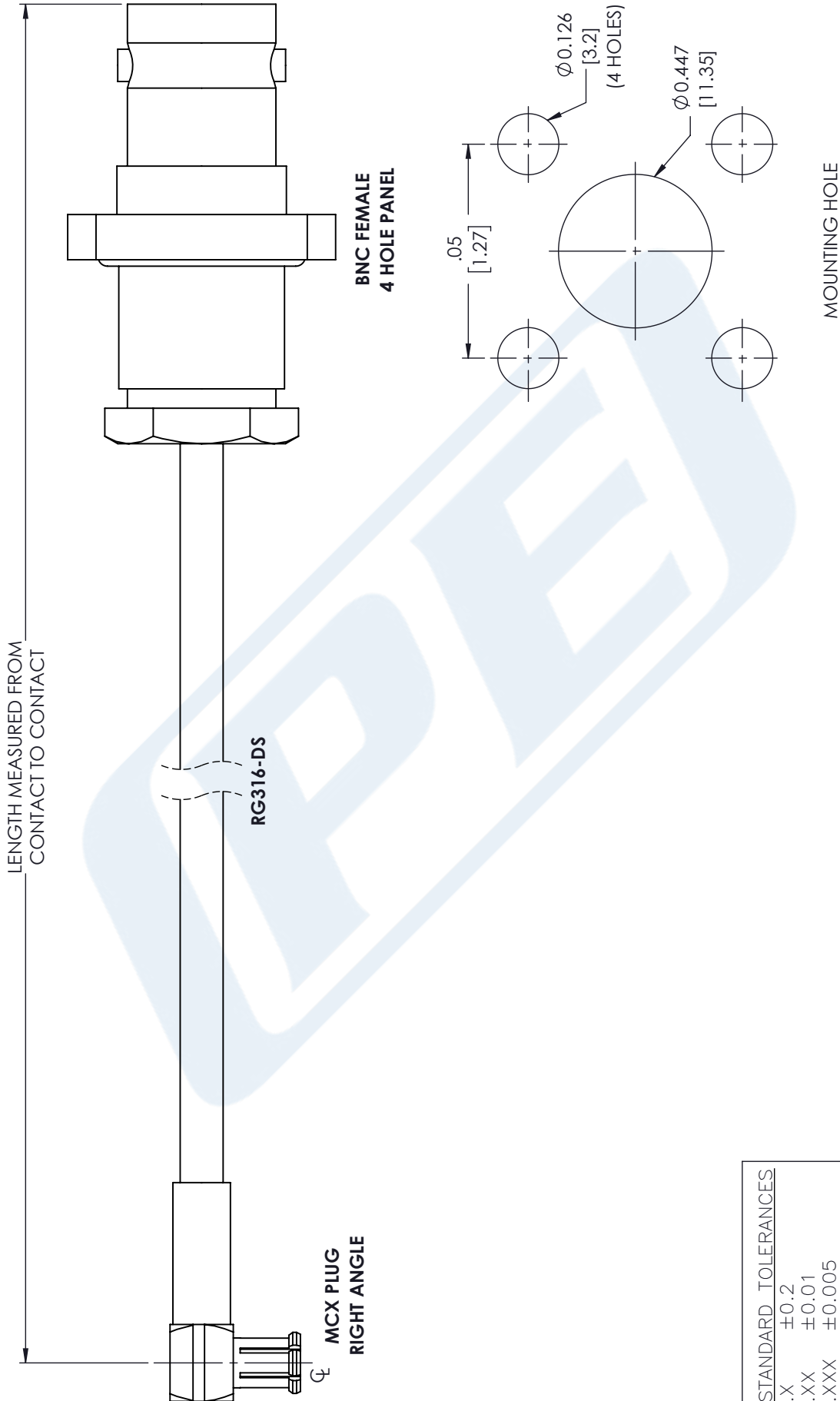
MCX Plug Right Angle to BNC Female 4 Hole Flange Cable 48 Inch Length Using RG316-DS Coax from Pasternack Enterprises has same day shipment for domestic and International orders. Our RF, microwave and millimeter wave products maintain a 99.4% availability and are part of the broadest selection in the industry.

Click the following link (or enter part number in "SEARCH" on website) to obtain additional part information including price, inventory and certifications: [MCX Plug Right Angle to BNC Female 4 Hole Flange Cable 48 Inch Length Using RG316-DS Coax PE3W01570-48](https://www.pasternack.com/mcx-plug-bnc-female-rg316-ds-cable-assembly-pe3w01570-48-p.aspx)

URL: <https://www.pasternack.com/mcx-plug-bnc-female-rg316-ds-cable-assembly-pe3w01570-48-p.aspx>

The information contained in this document is accurate to the best of our knowledge and representative of the part described herein. It may be necessary to make modifications to the part and/or the documentation of the part, in order to implement improvements. Pasternack reserves the right to make such changes as required. Unless otherwise stated, all specifications are nominal. Pasternack does not make any representation or warranty regarding the suitability of the part described herein for any particular purpose, and Pasternack does not assume any liability arising out of the use of any part or documentation.

**PE3W01570-48 CAD Drawing**  
 MCX Plug Right Angle to BNC Female 4 Hole Flange  
 Cable 48 Inch Length Using RG316-DS Coax



STANDARD TOLERANCES
.X ±0.2
.XX ±0.01
.XXX ±0.005

\*STANDARD TOLERANCES APPLY ONLY TO DIMENSIONS IN INCHES

**PE PASTERNAK®**  
 THE ENGINEER'S RF SOURCE  
 Pasternack Enterprises, Inc.  
 P.O. Box 16759 | Irvine | CA | 92623  
**Phone:** (949) 261-1920 | **Fax:** (949) 261-7451  
**Website:** www.pasternack.com | **E-Mail:** sales@pasternack.com

DWG TITLE  
 PE3W01570

NOTES:  
 1. UNLESS OTHERWISE SPECIFIED ALL DIMENSIONS ARE NOMINAL.  
 2. ALL SPECIFICATIONS ARE SUBJECT TO CHANGE WITHOUT NOTICE AT ANY TIME  
 3. DIMENSIONS ARE IN INCHES [mm].

CAGE CODE	53919
CAD FILE	06/14/18
SCALE	N/A
SIZE	A
	CN2379