



Reverse Polarity TNC Female Bulkhead to MMCX Plug Cable 150 cm Length Using LMR-100 Coax

RF Cable Assemblies Technical Data Sheet

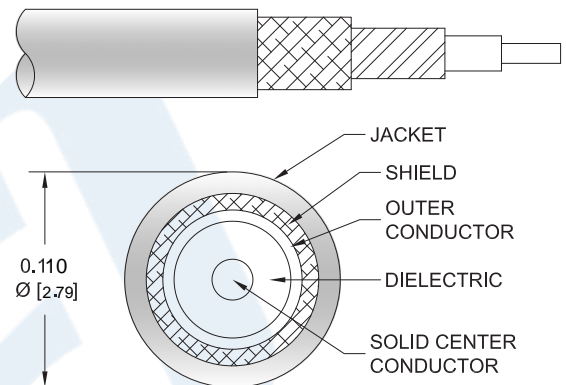
PE3W01379-150CM

Configuration

- Connector 1: TNC Female Reverse Polarity Bulkhead
- Connector 2: MMCX Plug
- Cable Type: LMR-100A

Features

- Max Frequency 3 GHz
- Shielding Effectivity > 90 dB
- 66% Phase Velocity
- Double Shielded
- PVC Jacket



Applications

- General Purpose
- Laboratory Use

Description

Pasternack's PE3W01379-150CM reverse polarity TNC female bulkhead to MMCX plug 150 cm cable using LMR-100 coax is part of our full line of RF components available for same-day shipping. Pasternack's flexible RF cable assemblies are ideal for applications where tight bends and flexure are required. This Pasternack reverse polarity TNC to MMCX cable assembly has a female to plug gender configuration with 50 ohm flexible LMR-100A coax. The PE3W01379-150CM reverse polarity TNC female to MMCX plug cable assembly operates to 3 GHz. Our RF cable assembly with TNC bulkhead interface allows designers to create external connections on their product enclosures, and can be used in a variety of other rack mount and panel mount applications. The double shielding of this Pasternack cable assembly provides excellent shielding effectiveness of better than 90 dB.

Custom versions of most RF cable assemblies can be built and shipped same day. Custom cable assembly lengths can be obtained by specifying the desired length on the web site at time of order or by contacting a sales representative. Other available RF cable assembly value added services include connector orientation or clocking, heat shrink booting and custom labeling. RF testing can also be performed to document the electrical performance of your cable assembly.

Click the following link (or enter part number in "SEARCH" on website) to obtain additional part information including price, inventory and certifications: [Reverse Polarity TNC Female Bulkhead to MMCX Plug Cable 150 cm Length Using LMR-100 Coax PE3W01379-150CM](#)



Reverse Polarity TNC Female Bulkhead to MMCX Plug Cable 150 cm Length Using LMR-100 Coax

RF Cable Assemblies Technical Data Sheet

PE3W01379-150CM

Electrical Specifications

Description	Minimum	Typical	Maximum	Units
Frequency Range	DC		3	GHz
VSWR			1.4:1	
Velocity of Propagation		66		%
RF Shielding	90			dB
Group Delay		1.54 [5.05]		ns/ft [ns/m]
Capacitance		30.8 [101.05]		pF/ft [pF/m]
Inductance		0.077 [0.25]		uH/ft [uH/m]
DC Resistance Inner Conductor		81 [265.75]		Ω/1000ft [Ω/Km]
DC Resistance Outer Conductor		9.5 [31.17]		Ω/1000ft [Ω/Km]
Jacket Spark			2,000	Vrms

Specifications by Frequency

Description	F1	F2	F3	F4	F5	Units
Frequency	0.1	0.25	0.5	1	3	GHz
Insertion Loss (Max.)	0.59	0.78	1.03	1.42	2.3	dB

Electrical Specification Notes:

The Insertion Loss data above is based on the performance specifications of the coax cable used in this assembly. The Insertion Loss includes an estimated insertion loss of 0.1 dB per connector.

Mechanical Specifications

Cable Assembly

Length*	59.06 in [150.01 cm]
Diameter	0.68 in [17.27 mm]

Cable

Cable Type	LMR-100A
Impedance	50 Ohms
Inner Conductor Type	Solid
Inner Conductor Material and Plating	Copper Clad Steel
Dielectric Type	PE
Number of Shields	2
Shield Layer 1	Aluminum Tape
Shield Layer 2	Tinned Copper Braid

Click the following link (or enter part number in "SEARCH" on website) to obtain additional part information including price, inventory and certifications: [Reverse Polarity TNC Female Bulkhead to MMCX Plug Cable 150 cm Length Using LMR-100 Coax PE3W01379-150CM](#)



Reverse Polarity TNC Female Bulkhead to MMCX Plug Cable 150 cm Length Using LMR-100 Coax

RF Cable Assemblies Technical Data Sheet

PE3W01379-150CM

Jacket Material	PVC, Black
Jacket Diameter	0.11 in [2.79 mm]
One Time Minimum Bend Radius	0.25 in [6.35 mm]
Repeated Minimum Bend Radius	1 in [25.4 mm]
Bending Moment	0.1 lbs-ft [0.14 N-m]
Flat Plate Crush	10 lbs/in [0.18 Kg/mm]
Tensile Strength	15 lbs [6.8 Kg]

Connectors

Description	Connector 1	Connector 2
Type	TNC Female Reverse Polarity Bulkhead	MMCX Plug
Specification	MIL-STD-348	BS EN 122340
Impedance	50 Ohms	50 Ohms
Contact Material and Plating	Phosphor Bronze, Gold	Brass, Gold
Contact Plating Specification	30μ in. minimum	30μ in. minimum
Dielectric Type	PTFE	Teflon
Body Material and Plating	Brass, Nickel	Brass, Gold
Body Plating Specification		3μ in. minimum
Hex Size	5/8 in.	

Mechanical Specification Notes:

*All cable assemblies have a length tolerance of 1.5% or $\pm 3/8"$, whichever is greater.

Environmental Specifications

Temperature

Operating Range -40 to +85 deg C

Compliance Certifications (see [product page](#) for current document)

Plotted and Other Data

Notes:

Click the following link (or enter part number in "SEARCH" on website) to obtain additional part information including price, inventory and certifications: [Reverse Polarity TNC Female Bulkhead to MMCX Plug Cable 150 cm Length Using LMR-100 Coax PE3W01379-150CM](#)



Reverse Polarity TNC Female Bulkhead to MMCX
Plug Cable 150 cm Length Using LMR-100 Coax

RF Cable Assemblies Technical Data Sheet

PE3W01379-150CM

How to Order

Part Number Configuration:

PE3W01379

- **xx**

uu

Unit of Measure:
cm = Centimeters
<blank> = Inches
Length
Base Number

Example: PE3W01379-12 = 12 inches long cable
PE3W01379-100cm = 100 cm long cable

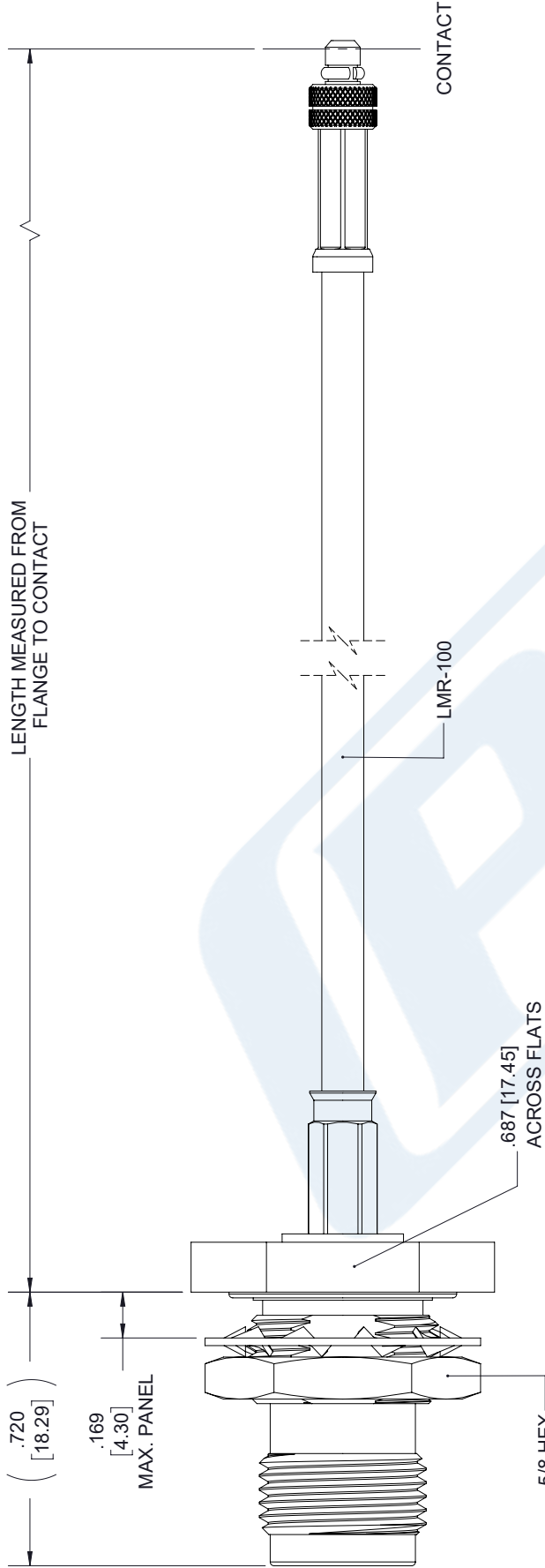
Reverse Polarity TNC Female Bulkhead to MMCX Plug Cable 150 cm Length Using LMR-100 Coax from Pasternack Enterprises has same day shipment for domestic and International orders. Our RF, microwave and millimeter wave products maintain a 99.4% availability and are part of the broadest selection in the industry.

Click the following link (or enter part number in "SEARCH" on website) to obtain additional part information including price, inventory and certifications: [Reverse Polarity TNC Female Bulkhead to MMCX Plug Cable 150 cm Length Using LMR-100 Coax PE3W01379-150CM](https://www.pasternack.com/tnc-female-mmcx-plug-lmr100-cable-assembly-pe3w01379-150cm-p.aspx)

URL: <https://www.pasternack.com/tnc-female-mmcx-plug-lmr100-cable-assembly-pe3w01379-150cm-p.aspx>

The information contained in this document is accurate to the best of our knowledge and representative of the part described herein. It may be necessary to make modifications to the part and/or the documentation of the part, in order to implement improvements. Pasternack reserves the right to make such changes as required. Unless otherwise stated, all specifications are nominal. Pasternack does not make any representation or warranty regarding the suitability of the part described herein for any particular purpose, and Pasternack does not assume any liability arising out of the use of any part or documentation.

PE3W01379-150CM CAD Drawing
 Reverse Polarity TNC Female Bulkhead to MMCX Plug
 Cable 150 cm Length Using LMR-100 Coax

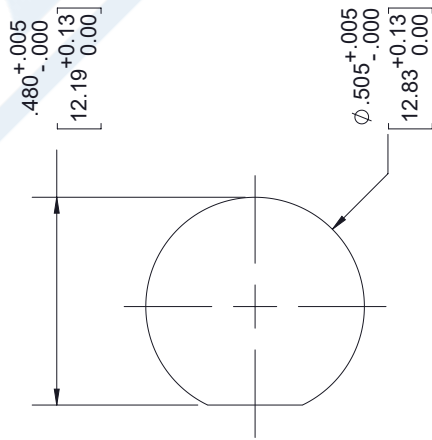


**RP TNC FEMALE
 BULKHEAD**

**MMCX
 PLUG**

STANDARD TOLERANCES
.X ±0.2
.XX ±0.01
.XXX ±0.005

*STANDARD TOLERANCES APPLY
 ONLY TO DIMENSIONS IN INCHES



MOUNTING HOLE

NOTES:
 1. UNLESS OTHERWISE SPECIFIED ALL DIMENSIONS ARE NOMINAL.
 2. ALL SPECIFICATIONS ARE SUBJECT TO CHANGE WITHOUT NOTICE AT ANY TIME.
 3. DIMENSIONS ARE IN INCHES [mm].

DWG TITLE	PE3W01379
CAGE CODE	53919
SCALE	N/A
CAD FILE	031918
SIZE	A
	7361

PE PASTERNAK®
 THE ENGINEER'S RF SOURCE
 Pasternack Enterprises, Inc.
 P.O. Box 16759 | Irvine | CA | 92623
Phone: (949) 261-1920 | **Fax:** (949) 261-7451
Website: www.pasternack.com | **E-Mail:** sales@pasternack.com