



N Female Bulkhead to SMB Plug Right Angle Cable 36 Inch Length Using PE-C100-LSZH Coax with HeatShrink

RF Cable Assemblies Technical Data Sheet

PE3W01018/HS-36

Configuration

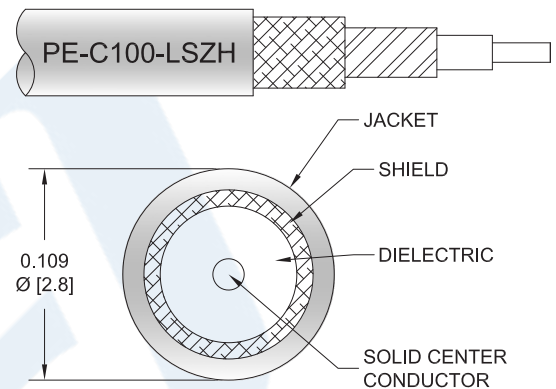
- Connector 1: N Female Bulkhead
- Connector 2: SMB Plug Right Angle
- Cable Type: PE-C100-LSZH

Features

- Max Frequency 4 GHz
- Shielding Effectivity > 90 dB
- 66% Phase Velocity
- Double Shielded
- LSZH Jacket

Applications

- General Purpose
- Laboratory Use



Description

Pasternack's PE3W01018/HS-36 type N female bulkhead to SMB plug right angle 36 inch cable using PE-C100-LSZH coax is part of our full line of RF components available for same-day shipping. Pasternack's flexible RF cable assemblies are ideal for applications where tight bends and flexure are required. This Pasternack type N to SMB cable assembly has a female to plug gender configuration with 50 ohm flexible PE-C100-LSZH coax. The PE3W01018/HS-36 type N female to SMB plug cable assembly operates to 4 GHz. The right angle SMB interface on the PE-C100-LSZH cable allows for easier connections in tight spaces. Our RF cable assembly with type N bulkhead interface allows designers to create external connections on their product enclosures, and can be used in a variety of other rack mount and panel mount applications. The double shielding of this Pasternack cable assembly provides excellent shielding effectiveness of better than 90 dB.

Custom versions of most RF cable assemblies can be built and shipped same day. Custom cable assembly lengths can be obtained by specifying the desired length on the web site at time of order or by contacting a sales representative. Other available RF cable assembly value added services include connector orientation or clocking, heat shrink booting and custom labeling. RF testing can also be performed to document the electrical performance of your cable assembly.

Click the following link (or enter part number in "SEARCH" on website) to obtain additional part information including price, inventory and certifications: [N Female Bulkhead to SMB Plug Right Angle Cable 36 Inch Length Using PE-C100-LSZH Coax with HeatShrink PE3W01018/HS-36](#)



N Female Bulkhead to SMB Plug Right Angle Cable 36 Inch Length Using PE-C100-LSZH Coax with HeatShrink

RF Cable Assemblies Technical Data Sheet

PE3W01018/HS-36

Electrical Specifications

Description	Minimum	Typical	Maximum	Units
Frequency Range	DC		4	GHz
VSWR			1.5:1	
Velocity of Propagation		66		%
RF Shielding	90			dB
Capacitance		30.8 [101.05]		pF/ft [pF/m]
Inductance		0.077 [0.25]		uH/ft [uH/m]
Operating Voltage (AC)			250	Vrms
Jacket Spark			2,000	Vrms

Specifications by Frequency

Description	F1	F2	F3	F4	F5	Units
Frequency	0.1	0.25	0.5	1	4	GHz
Insertion Loss (Max.)	0.51	0.65	0.8	1.02	1.87	dB

Electrical Specification Notes:

The Insertion Loss data above is based on the performance specifications of the coax used in this assembly. The Insertion Loss includes an estimated insertion loss of 0.3dB of connector loss.

Mechanical Specifications

Cable Assembly

Length*	36 in [914.4 mm]
Diameter	0.81 in [20.57 mm]

Cable

Cable Type	PE-C100-LSZH
Impedance	50 Ohms
Inner Conductor Type	Solid
Inner Conductor Material and Plating	Copper Clad Steel
Dielectric Type	PE
Number of Shields	2
Shield Layer 1	Aluminum Tape
Shield Layer 2	Tinned Copper Braid
Jacket Material	LSZH, Black
Jacket Diameter	0.109 in [2.77 mm]

One Time Minimum Bend Radius	0.25 in [6.35 mm]
------------------------------	-------------------

Click the following link (or enter part number in "SEARCH" on website) to obtain additional part information including price, inventory and certifications: [N Female Bulkhead to SMB Plug Right Angle Cable 36 Inch Length Using PE-C100-LSZH Coax with HeatShrink PE3W01018/HS-36](#)



N Female Bulkhead to SMB Plug Right Angle Cable 36 Inch Length Using PE-C100-LSZH Coax with HeatShrink

RF Cable Assemblies Technical Data Sheet

PE3W01018/HS-36

Repeated Minimum Bend Radius	1 in [25.4 mm]
Bending Moment	0.1 lbs-ft [0.14 N-m]
Flat Plate Crush	10 lbs/in [0.18 Kg/mm]
Tensile Strength	15 lbs [6.8 Kg]

Connectors

Description	Connector 1	Connector 2
Type	N Female Bulkhead	SMB Plug Right Angle
Specification	MIL-STD-348A	MIL-STD-348A
Impedance	50 Ohms	50 Ohms
Mating Cycles	100	
Contact Material and Plating	Brass, Gold	Beryllium Copper, Gold
Contact Plating Specification	30µ in. minimum	30µ in. minimum
Dielectric Type	Teflon	Teflon
Outer Conductor Material and Plating	Brass, Nickel	
Outer Conductor Plating Specification	100µ in. minimum	
Body Material and Plating	Brass, Nickel	Brass, Nickel
Body Plating Specification	100µ in. minimum	100µ in. minimum

Mechanical Specification Notes:

*All cable assemblies have a length tolerance of 1.5% or ± 3/8", whichever is greater.

Environmental Specifications

Temperature

Operating Range -40 to +85 deg C

Compliance Certifications (see [product page](#) for current document)

Plotted and Other Data

Notes:

Click the following link (or enter part number in "SEARCH" on website) to obtain additional part information including price, inventory and certifications: [N Female Bulkhead to SMB Plug Right Angle Cable 36 Inch Length Using PE-C100-LSZH Coax with HeatShrink PE3W01018/HS-36](#)

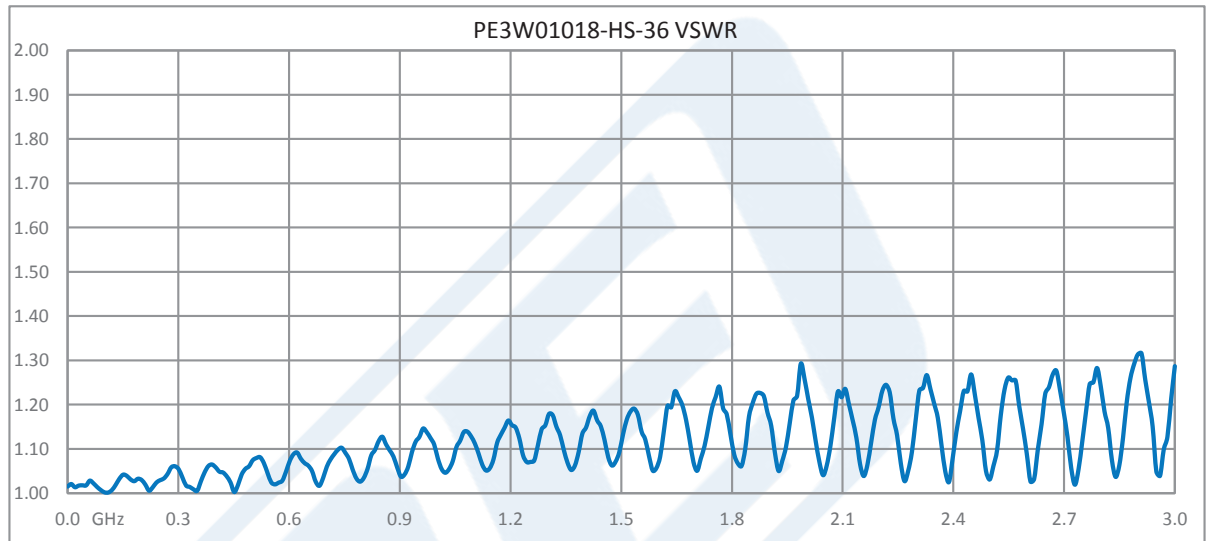


N Female Bulkhead to SMB Plug Right Angle Cable 36 Inch Length Using PE-C100-LSZH Coax with HeatShrink

RF Cable Assemblies Technical Data Sheet

PE3W01018/HS-36

Typical Performance Data



Click the following link (or enter part number in "SEARCH" on website) to obtain additional part information including price, inventory and certifications: [N Female Bulkhead to SMB Plug Right Angle Cable 36 Inch Length Using PE-C100-LSZH Coax with HeatShrink PE3W01018/HS-36](#)



N Female Bulkhead to SMB Plug Right Angle Cable 36 Inch Length Using PE-C100-LSZH Coax with HeatShrink

RF Cable Assemblies Technical Data Sheet

PE3W01018/HS-36

How to Order

Part Number Configuration:

PE3W01018/HS - xx uu

Unit of Measure:
cm = Centimeters
<blank> = Inches
Length
Base Number

Example: PE3W01018/HS-12 = 12 inches long cable
PE3W01018/HS-100cm = 100 cm long cable

N Female Bulkhead to SMB Plug Right Angle Cable 36 Inch Length Using PE-C100-LSZH Coax with HeatShrink from Pasternack Enterprises has same day shipment for domestic and International orders. Our RF, microwave and millimeter wave products maintain a 99.4% availability and are part of the broadest selection in the industry.

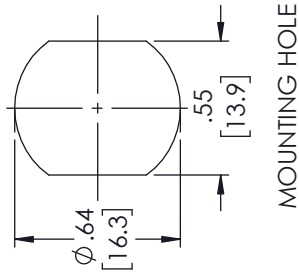
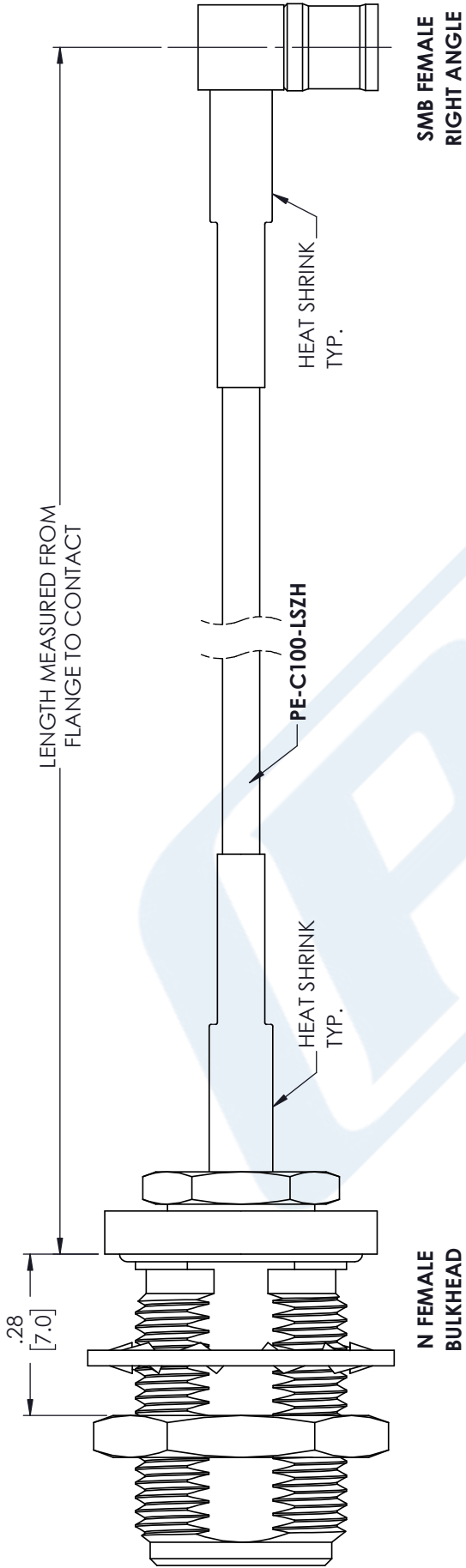
Click the following link (or enter part number in "SEARCH" on website) to obtain additional part information including price, inventory and certifications: [N Female Bulkhead to SMB Plug Right Angle Cable 36 Inch Length Using PE-C100-LSZH Coax with HeatShrink PE3W01018/HS-36](https://www.pasternack.com/n-female-smb-plug-pe-c100-lszh-cable-assembly-pe3w01018-hs-36-p.aspx)

URL: <https://www.pasternack.com/n-female-smb-plug-pe-c100-lszh-cable-assembly-pe3w01018-hs-36-p.aspx>

The information contained in this document is accurate to the best of our knowledge and representative of the part described herein. It may be necessary to make modifications to the part and/or the documentation of the part, in order to implement improvements. Pasternack reserves the right to make such changes as required. Unless otherwise stated, all specifications are nominal. Pasternack does not make any representation or warranty regarding the suitability of the part described herein for any particular purpose, and Pasternack does not assume any liability arising out of the use of any part or documentation.

PE3W01018/HS-36 CAD Drawing

N Female Bulkhead to SMB Plug Right Angle Cable 36 Inch Length Using PE-C100-LSZH Coax with HeatShrink



STANDARD TOLERANCES	
.X	±0.2
.XX	±0.01
.XXX	±0.005

*STANDARD TOLERANCES APPLY ONLY TO DIMENSIONS IN INCHES



Pasternack Enterprises, Inc.
 P.O. Box 16759 | Irvine | CA | 92623
Phone: (949) 261-1920 | **Fax:** (949) 261-7451
Website: www.pasternack.com | **E-Mail:** sales@pasternack.com

DWG TITLE
 PE3W01018/HS

NOTES:
 1. UNLESS OTHERWISE SPECIFIED ALL DIMENSIONS ARE NOMINAL.
 2. ALL SPECIFICATIONS ARE SUBJECT TO CHANGE WITHOUT NOTICE AT ANY TIME.
 3. DIMENSIONS ARE IN INCHES [mm].

CAGE CODE 53919

CAD FILE 10/23/18

SCALE N/A

SIZE A

CN2379