



SMA Female to TNC Male Cable 12 Inch Length Using LMR-100 Coax

RF Cable Assemblies Technical Data Sheet

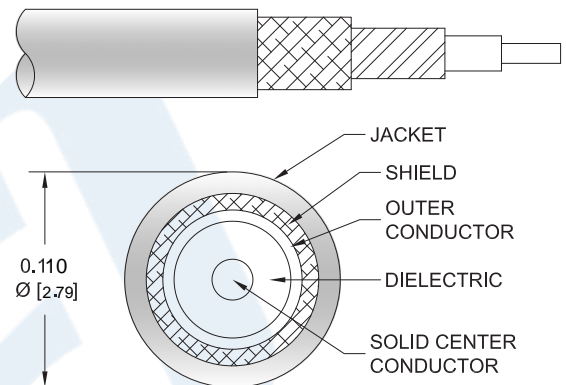
PE3W00825-12

Configuration

- Connector 1: SMA Female
- Connector 2: TNC Male
- Cable Type: LMR-100A

Features

- Max Frequency 1 GHz
- Shielding Effectivity > 90 dB
- 66% Phase Velocity
- Double Shielded
- PVC Jacket



Applications

- General Purpose
- Laboratory Use

Description

Pasternack's PE3W00825-12 SMA female to TNC male 12 inch cable using LMR-100 coax is part of our full line of RF components available for same-day shipping. Pasternack's flexible RF cable assemblies are ideal for applications where tight bends and flexure are required. This Pasternack SMA to TNC cable assembly has a female to male gender configuration with 50 ohm flexible LMR-100A coax. The PE3W00825-12 SMA female to TNC male cable assembly operates to 1 GHz. The double shielding of this Pasternack cable assembly provides excellent shielding effectiveness of better than 90 dB.

Custom versions of most RF cable assemblies can be built and shipped same day. Custom cable assembly lengths can be obtained by specifying the desired length on the web site at time of order or by contacting a sales representative. Other available RF cable assembly value added services include connector orientation or clocking, heat shrink booting and custom labeling. RF testing can also be performed to document the electrical performance of your cable assembly.

Click the following link (or enter part number in "SEARCH" on website) to obtain additional part information including price, inventory and certifications: [SMA Female to TNC Male Cable 12 Inch Length Using LMR-100 Coax PE3W00825-12](#)



SMA Female to TNC Male Cable 12 Inch Length Using LMR-100 Coax

RF Cable Assemblies Technical Data Sheet

PE3W00825-12

Electrical Specifications

Description	Minimum	Typical	Maximum	Units
Frequency Range	DC		1,000	MHz
VSWR			1.5:1	
Velocity of Propagation		66		%
RF Shielding	90			dB
Group Delay		1.54 [5.05]		ns/ft [ns/m]
Capacitance		30.8 [101.05]		pF/ft [pF/m]
Inductance		0.077 [0.25]		uH/ft [uH/m]
DC Resistance Inner Conductor		81 [265.75]		Ω/1000ft [Ω/Km]
DC Resistance Outer Conductor		9.5 [31.17]		Ω/1000ft [Ω/Km]
Jacket Spark			2,000	Vrms

Specifications by Frequency

Description	F1	F2	F3	F4	F5	Units
Frequency	50	100	250	500	1,000	MHz
Insertion Loss (Max.)	0.25	0.27	0.32	0.36	0.44	dB

Electrical Specification Notes:

The Insertion Loss data above is based on the performance specifications of the coax cable used in this assembly. The Insertion Loss includes an estimated insertion loss of 0.1 dB per connector.

Mechanical Specifications

Cable Assembly

Length*	12 in [304.8 mm]
Diameter	0.591 in [15.01 mm]

Cable

Cable Type	LMR-100A
Impedance	50 Ohms
Inner Conductor Type	Solid
Inner Conductor Material and Plating	Copper Clad Steel
Dielectric Type	PE
Number of Shields	2
Shield Layer 1	Aluminum Tape
Shield Layer 2	Tinned Copper Braid

Click the following link (or enter part number in "SEARCH" on website) to obtain additional part information including price, inventory and certifications: [SMA Female to TNC Male Cable 12 Inch Length Using LMR-100 Coax PE3W00825-12](#)



SMA Female to TNC Male Cable 12 Inch
Length Using LMR-100 Coax

RF Cable Assemblies Technical Data Sheet

PE3W00825-12

Jacket Material	PVC, Black
Jacket Diameter	0.11 in [2.79 mm]
One Time Minimum Bend Radius	0.25 in [6.35 mm]
Repeated Minimum Bend Radius	1 in [25.4 mm]
Bending Moment	0.1 lbs-ft [0.14 N-m]
Flat Plate Crush	10 lbs/in [0.18 Kg/mm]
Tensile Strength	15 lbs [6.8 Kg]

Connectors

Description	Connector 1	Connector 2
Type	SMA Female	TNC Male
Specification	MIL-STD-348	MIL-STD-348A
Impedance	50 Ohms	50 Ohms
Mating Cycles	100	
Contact Material and Plating	Beryllium Copper, Gold	Brass, Gold
Contact Plating Specification		30µ in. minimum
Dielectric Type	Teflon	Teflon
Body Material and Plating	Brass, Nickel	Brass, Nickel
Body Plating Specification		100µ in. minimum

Mechanical Specification Notes:

*All cable assemblies have a length tolerance of 1.5% or ± 3/8", whichever is greater.

Compliance Certifications (see [product page](#) for current document)

Plotted and Other Data

Notes:

Click the following link (or enter part number in "SEARCH" on website) to obtain additional part information including price, inventory and certifications: [SMA Female to TNC Male Cable 12 Inch Length Using LMR-100 Coax PE3W00825-12](#)

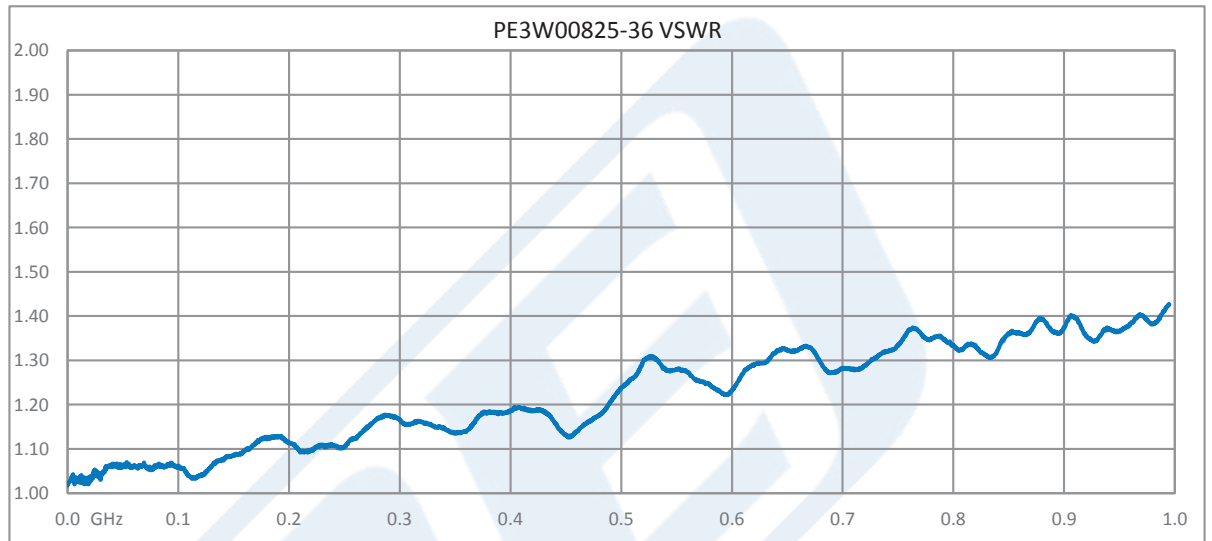


SMA Female to TNC Male Cable 12 Inch
Length Using LMR-100 Coax

RF Cable Assemblies Technical Data Sheet

PE3W00825-12

Typical Performance Data



Click the following link (or enter part number in "SEARCH" on website) to obtain additional part information including price, inventory and certifications: [SMA Female to TNC Male Cable 12 Inch Length Using LMR-100 Coax PE3W00825-12](#)



SMA Female to TNC Male Cable 12 Inch
Length Using LMR-100 Coax

RF Cable Assemblies Technical Data Sheet

PE3W00825-12

How to Order

Part Number Configuration:

PE3W00825

- **xx**

uu

Unit of Measure:
cm = Centimeters
<blank> = Inches
Length
Base Number

Example: PE3W00825-12 = 12 inches long cable
PE3W00825-100cm = 100 cm long cable

SMA Female to TNC Male Cable 12 Inch Length Using LMR-100 Coax from Pasternack Enterprises has same day shipment for domestic and International orders. Our RF, microwave and millimeter wave products maintain a 99.4% availability and are part of the broadest selection in the industry.

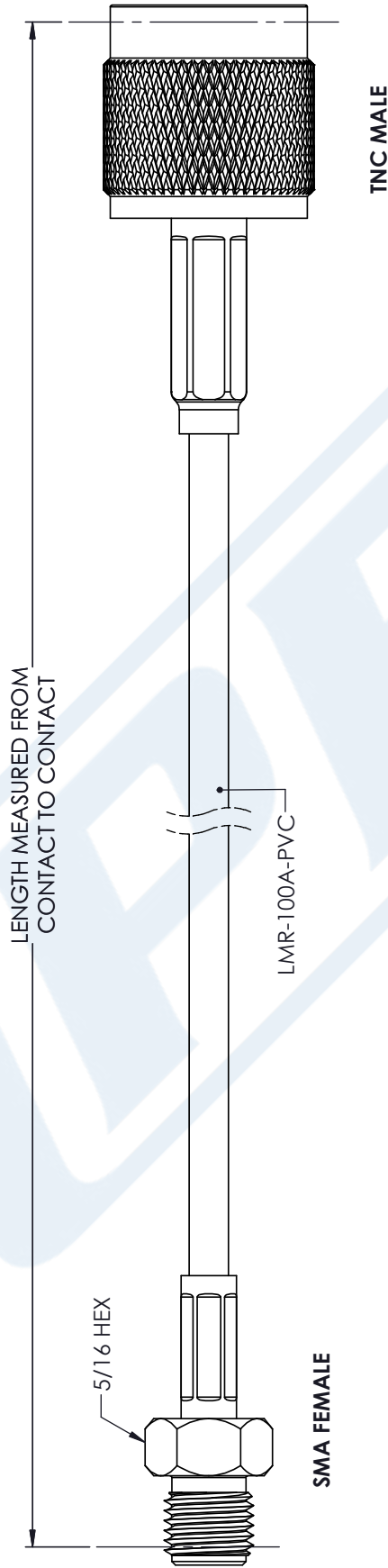
Click the following link (or enter part number in "SEARCH" on website) to obtain additional part information including price, inventory and certifications: [SMA Female to TNC Male Cable 12 Inch Length Using LMR-100 Coax PE3W00825-12](https://www.pasternack.com/sma-female-tnc-male-lmr100-cable-assembly-pe3w00825-12-p.aspx)

URL: <https://www.pasternack.com/sma-female-tnc-male-lmr100-cable-assembly-pe3w00825-12-p.aspx>

The information contained in this document is accurate to the best of our knowledge and representative of the part described herein. It may be necessary to make modifications to the part and/or the documentation of the part, in order to implement improvements. Pasternack reserves the right to make such changes as required. Unless otherwise stated, all specifications are nominal. Pasternack does not make any representation or warranty regarding the suitability of the part described herein for any particular purpose, and Pasternack does not assume any liability arising out of the use of any part or documentation.

PE3W00825-12 CAD Drawing

SMA Female to TNC Male Cable 12 Inch Length Using LMR-100 Coax



STANDARD TOLERANCES	
.X	±0.2
.XX	±0.01
.XXX	±0.005

*STANDARD TOLERANCES APPLY ONLY TO DIMENSIONS IN INCHES

<p>NOTES: 1. UNLESS OTHERWISE SPECIFIED ALL DIMENSIONS ARE NOMINAL. 2. ALL SPECIFICATIONS ARE SUBJECT TO CHANGE WITHOUT NOTICE AT ANY TIME. 3. DIMENSIONS ARE IN INCHES [mm].</p>	<p>DWG TITLE PE3W00825</p>	<p>PASTERNAK® THE ENGINEER'S RF SOURCE Pasternack Enterprises, Inc. P.O. Box 16759 Irvine CA 92623 Phone: (949) 261-1920 Fax: (949) 261-7451 Website: www.pasternack.com E-Mail: sales@pasternack.com</p>
<p>SCALE N/A</p>	<p>CAD FILE 05/09/18</p>	<p>CAGE CODE 53919</p>
<p>SIZE A</p>	<p>CN2379</p>	