



## SMA Female Bulkhead to SMP Female Cable 48 Inch Length Using PE-SR405FL Coax, LF Solder

### RF Cable Assemblies Technical Data Sheet

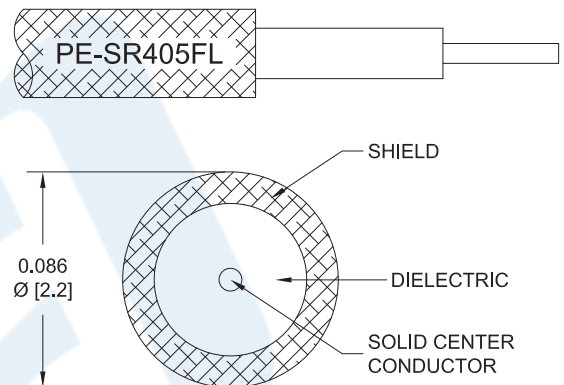
PE3W00474LF-48

#### Configuration

- Connector 1: SMA Female Bulkhead
- Connector 2: SMP Female
- Cable Type: PE-SR405FL

#### Features

- Max Frequency 18 GHz
- 69.5% Phase Velocity
- Copper Jacket



#### Applications

- General Purpose
- Laboratory Use

#### Description

Pasternack's PE3W00474LF-48 SMA female bulkhead to SMP female 48 inch cable using PE-SR405FL coax is part of our full line of RF components available for same-day shipping. Pasternack's formable RF cable assemblies provide an alternative to costly pre-formed semi-rigid assemblies since they are hand formable. This Pasternack SMA to SMP cable assembly has a female to female gender configuration with 50 ohm formable PE-SR405FL coax. The PE3W00474LF-48 SMA female to SMP female cable assembly operates to 18 GHz. Our RF cable assembly with SMA bulkhead interface allows designers to create external connections on their product enclosures, and can be used in a variety of other rack mount and panel mount applications.

Custom versions of most RF cable assemblies can be built and shipped same day. Custom cable assembly lengths can be obtained by specifying the desired length on the web site at time of order or by contacting a sales representative. Other available RF cable assembly value added services include connector orientation or clocking, heat shrink booting and custom labeling. RF testing can also be performed to document the electrical performance of your cable assembly.

#### Electrical Specifications

Description	Minimum	Typical	Maximum	Units
Frequency Range	DC		18	GHz
VSWR			1.5:1	
Velocity of Propagation		69.5		%
Capacitance		29 [95.14]		pF/ft [pF/m]
DC Resistance Inner Conductor		65.7 [215.55]		Ω/1000ft [Ω/Km]
DC Resistance Outer Conductor		10.2 [33.46]		Ω/1000ft [Ω/Km]

Click the following link (or enter part number in "SEARCH" on website) to obtain additional part information including price, inventory and certifications: [SMA Female Bulkhead to SMP Female Cable 48 Inch Length Using PE-SR405FL Coax, LF Solder PE3W00474LF-48](#)



# SMA Female Bulkhead to SMP Female Cable 48 Inch Length Using PE-SR405FL Coax, LF Solder

## RF Cable Assemblies Technical Data Sheet

PE3W00474LF-48

### Specifications by Frequency

Description	F1	F2	F3	F4	F5	Units
Frequency	1	2	4.5	9	18	GHz
Insertion Loss (Max.)	1.12	1.44	3.3	3.3	4.7	dB

### Electrical Specification Notes:

The Insertion Loss data above is based on the performance specifications of the coax cable used in this assembly. The Insertion Loss includes an estimated insertion loss of 0.1 dB per connector.

### Mechanical Specifications

#### Cable Assembly

Length*	48 in [121.92 cm]
Diameter	0.433 in [11 mm]
Weight	0.72 lbs [326.59 g]

#### Cable

Cable Type	PE-SR405FL
Impedance	50 Ohms
Inner Conductor Type	Solid
Inner Conductor Material and Plating	Copper Clad Steel, Silver
Dielectric Type	PTFE
Number of Shields	1
Outer Conductor Material and Plating	Copper, Tin
Outer Conductor Diameter	0.085 in [2.16 mm]
Jacket Material	Copper
Repeated Minimum Bend Radius	0.78 in [19.81 mm]

### Connectors

Description	Connector 1	Connector 2
Type	SMA Female Bulkhead	SMP Female
Specification		MIL-STD-348
Impedance	50 Ohms	50 Ohms
Contact Material and Plating	Beryllium Copper, Gold over Nickel	Beryllium Copper, Gold
Contact Plating Specification		MIL-G-45204
Dielectric Type	PTFE	PTFE
Body Material and Plating	Brass, Gold over Nickel	Beryllium Copper, Gold
Body Plating Specification		MIL-G-45204

Click the following link (or enter part number in "SEARCH" on website) to obtain additional part information including price, inventory and certifications: [SMA Female Bulkhead to SMP Female Cable 48 Inch Length Using PE-SR405FL Coax, LF Solder PE3W00474LF-48](#)



## SMA Female Bulkhead to SMP Female Cable 48 Inch Length Using PE-SR405FL Coax, LF Solder

### RF Cable Assemblies Technical Data Sheet

PE3W00474LF-48

#### Mechanical Specification Notes:

\*All cable assemblies have a length tolerance of 1.5% or  $\pm 3/8"$ , whichever is greater.

**Compliance Certifications** (see [product page](#) for current document)

#### Plotted and Other Data

Notes:

#### How to Order

Part Number Configuration:

**PE3W00474LF - xx uu**

Unit of Measure:  
cm = Centimeters  
<blank> = Inches  
Length  
Base Number

Example: PE3W00474LF-12 = 12 inches long cable  
PE3W00474LF-100cm = 100 cm long cable

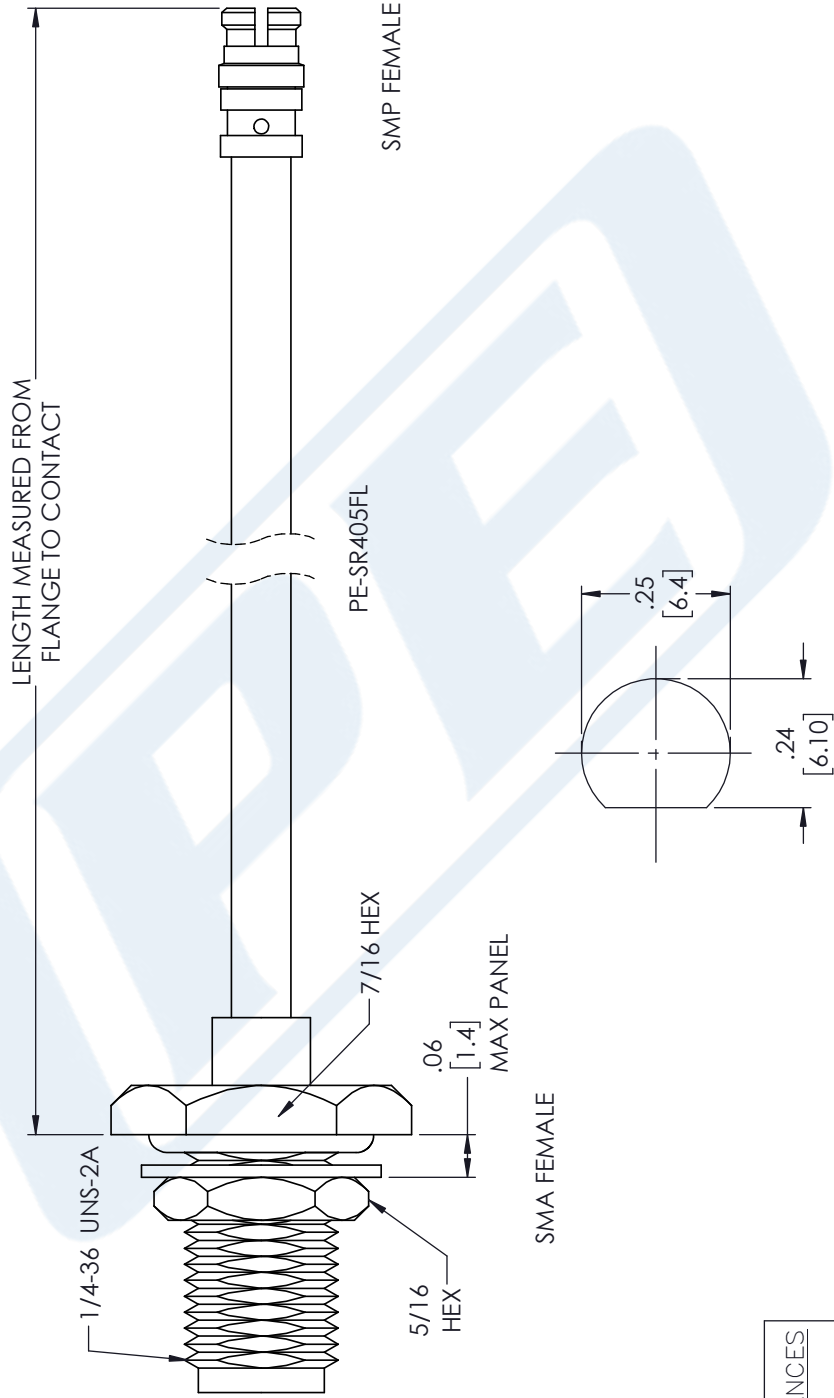
SMA Female Bulkhead to SMP Female Cable 48 Inch Length Using PE-SR405FL Coax, LF Solder from Pasternack Enterprises has same day shipment for domestic and International orders. Our RF, microwave and millimeter wave products maintain a 99.4% availability and are part of the broadest selection in the industry.

Click the following link (or enter part number in "SEARCH" on website) to obtain additional part information including price, inventory and certifications: [SMA Female Bulkhead to SMP Female Cable 48 Inch Length Using PE-SR405FL Coax, LF Solder PE3W00474LF-48](#)

URL: <https://www.pasternack.com/sma-female-smp-female-pe-sr405fl-cable-assembly-pe3w00474lf-48-p.aspx>

The information contained in this document is accurate to the best of our knowledge and representative of the part described herein. It may be necessary to make modifications to the part and/or the documentation of the part, in order to implement improvements. Pasternack reserves the right to make such changes as required. Unless otherwise stated, all specifications are nominal. Pasternack does not make any representation or warranty regarding the suitability of the part described herein for any particular purpose, and Pasternack does not assume any liability arising out of the use of any part or documentation.

**PE3W00474LF-48 CAD Drawing**  
 SMA Female Bulkhead to SMP Female Cable 48 Inch  
 Length Using PE-SR405FL Coax, LF Solder



STANDARD TOLERANCES	
.X	±0.2
.XX	±0.01
.XXX	±0.005

\*STANDARD TOLERANCES APPLY ONLY TO DIMENSIONS IN INCHES

**PE PASTERNAK**  
 THE ENGINEER'S RF SOURCE  
 Pasternack Enterprises, Inc.  
 P.O. Box 16759 | Irvine | CA | 92623  
**Phone:** (949) 261-1920 | **Fax:** (949) 261-7451  
**Website:** www.pasternack.com | **E-Mail:** sales@pasternack.com

NOTES: 1. UNLESS OTHERWISE SPECIFIED ALL DIMENSIONS ARE NOMINAL. 2. ALL SPECIFICATIONS ARE SUBJECT TO CHANGE WITHOUT NOTICE AT ANY TIME. 3. DIMENSIONS ARE IN INCHES [mm].			
DWG TITLE	PE3W00474LF	CAD FILE	02/23/18
CAGE CODE	53919	SCALE	N/A
		SIZE	A
			GF0006