



SMA Female Bulkhead to SMB Plug Right Angle Cable 100 cm Length Using PE-C100-LSZH Coax

RF Cable Assemblies Technical Data Sheet

PE3W00135-100CM

Configuration

- Connector 1: SMA Female Bulkhead
- Connector 2: SMB Plug Right Angle
- Cable Type: PE-C100-LSZH

Features

- Max Frequency 4 GHz
- Shielding Effectivity > 90 dB
- 66% Phase Velocity
- Double Shielded
- LSZH Jacket

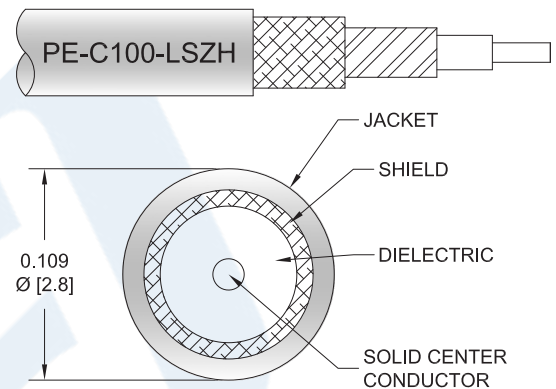
Applications

- General Purpose
- Laboratory Use

Description

Pasternack's PE3W00135-100CM SMA female bulkhead to SMB plug right angle 100 cm cable using PE-C100-LSZH coax is part of our full line of RF components available for same-day shipping. Pasternack's flexible RF cable assemblies are ideal for applications where tight bends and flexure are required. This Pasternack SMA to SMB cable assembly has a female to plug gender configuration with 50 ohm flexible PE-C100-LSZH coax. The PE3W00135-100CM SMA female to SMB plug cable assembly operates to 4 GHz. The right angle SMB interface on the PE-C100-LSZH cable allows for easier connections in tight spaces. Our RF cable assembly with SMA bulkhead interface allows designers to create external connections on their product enclosures, and can be used in a variety of other rack mount and panel mount applications. The double shielding of this Pasternack cable assembly provides excellent shielding effectiveness of better than 90 dB.

Custom versions of most RF cable assemblies can be built and shipped same day. Custom cable assembly lengths can be obtained by specifying the desired length on the web site at time of order or by contacting a sales representative. Other available RF cable assembly value added services include connector orientation or clocking, heat shrink booting and custom labeling. RF testing can also be performed to document the electrical performance of your cable assembly.



Click the following link (or enter part number in "SEARCH" on website) to obtain additional part information including price, inventory and certifications: [SMA Female Bulkhead to SMB Plug Right Angle Cable 100 cm Length Using PE-C100-LSZH Coax PE3W00135-100CM](#)



SMA Female Bulkhead to SMB Plug Right Angle Cable 100 cm Length Using PE-C100-LSZH Coax

RF Cable Assemblies Technical Data Sheet

PE3W00135-100CM

Electrical Specifications

Description	Minimum	Typical	Maximum	Units
Frequency Range	DC		4	GHz
VSWR			1.45:1	
Velocity of Propagation		66		%
RF Shielding	90			dB
Capacitance		30.8 [101.05]		pF/ft [pF/m]
Inductance		0.077 [0.25]		uH/ft [uH/m]
Jacket Spark			2,000	Vrms

Specifications by Frequency

Description	F1	F2	F3	F4	F5	Units
Frequency	0.25	0.5	1	2.5	4	GHz
Insertion Loss (Max.)	0.67	0.84	1.06	1.6	1.98	dB

Electrical Specification Notes:

The Insertion Loss data above is based on the performance specifications of the coax cable used in this assembly. The Insertion Loss includes an estimated insertion loss of 0.3dB for both connectors.

Mechanical Specifications

Cable Assembly

Length*	39.37 in [100 cm]
Diameter	0.433 in [11 mm]

Cable

Cable Type	PE-C100-LSZH
Impedance	50 Ohms
Inner Conductor Type	Solid
Inner Conductor Material and Plating	Copper Clad Steel
Dielectric Type	PE
Number of Shields	2
Shield Layer 1	Aluminum Tape
Shield Layer 2	Tinned Copper Braid
Jacket Material	LSZH, Black
Jacket Diameter	0.109 in [2.77 mm]

One Time Minimum Bend Radius	0.25 in [6.35 mm]
Repeated Minimum Bend Radius	1 in [25.4 mm]
Bending Moment	0.1 lbs-ft [0.14 N-m]

Click the following link (or enter part number in "SEARCH" on website) to obtain additional part information including price, inventory and certifications: [SMA Female Bulkhead to SMB Plug Right Angle Cable 100 cm Length Using PE-C100-LSZH Coax PE3W00135-100CM](#)



SMA Female Bulkhead to SMB Plug Right Angle Cable
100 cm Length Using PE-C100-LSZH Coax

RF Cable Assemblies Technical Data Sheet

PE3W00135-100CM

Flat Plate Crush 10 lbs/in [0.18 Kg/mm]
Tensile Strength 15 lbs [6.8 Kg]

Connectors

Description	Connector 1	Connector 2
Type	SMA Female Bulkhead	SMB Plug Right Angle
Specification		MIL-STD-348A
Impedance	50 Ohms	50 Ohms
Contact Material and Plating	Beryllium Copper, Gold	Beryllium Copper, Gold
Contact Plating Specification		30µ in. minimum
Dielectric Type	Teflon	Teflon
Body Material and Plating	Brass, Gold	Brass, Nickel
Body Plating Specification		100µ in. minimum

Mechanical Specification Notes:

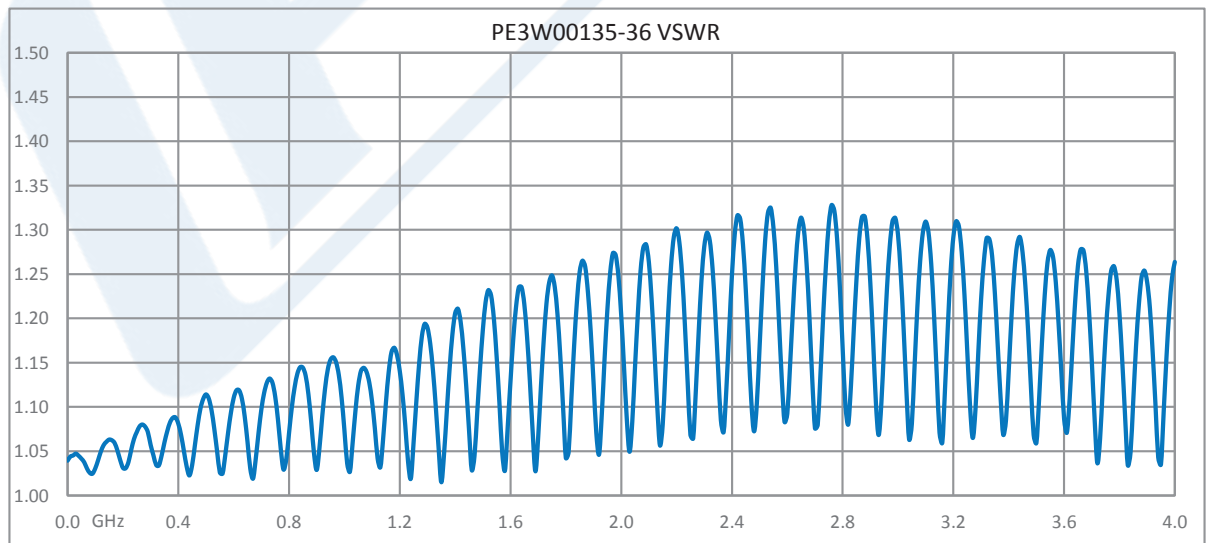
*All cable assemblies have a length tolerance of 1.5% or ± 3/8", whichever is greater.

Compliance Certifications (see [product page](#) for current document)

Plotted and Other Data

Notes:

Typical Performance Data



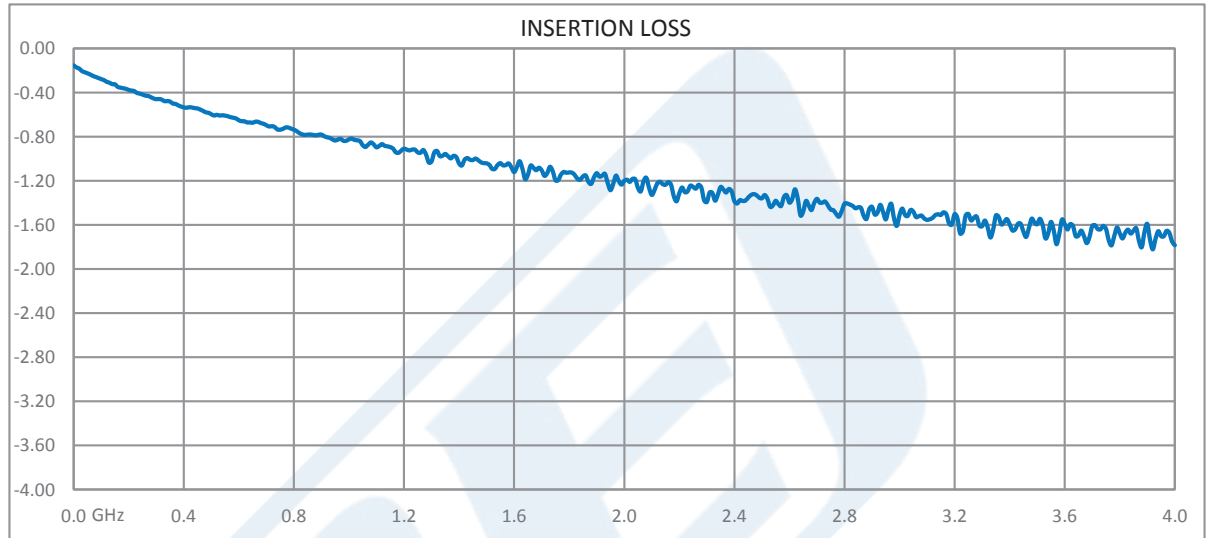
Click the following link (or enter part number in "SEARCH" on website) to obtain additional part information including price, inventory and certifications: [SMA Female Bulkhead to SMB Plug Right Angle Cable 100 cm Length Using PE-C100-LSZH Coax PE3W00135-100CM](#)



SMA Female Bulkhead to SMB Plug Right Angle Cable
100 cm Length Using PE-C100-LSZH Coax

RF Cable Assemblies Technical Data Sheet

PE3W00135-100CM



Click the following link (or enter part number in "SEARCH" on website) to obtain additional part information including price, inventory and certifications: [SMA Female Bulkhead to SMB Plug Right Angle Cable 100 cm Length Using PE-C100-LSZH Coax PE3W00135-100CM](#)



SMA Female Bulkhead to SMB Plug Right Angle Cable
100 cm Length Using PE-C100-LSZH Coax

RF Cable Assemblies Technical Data Sheet

PE3W00135-100CM

How to Order

Part Number Configuration:

PE3W00135

- **xx**

uu

Unit of Measure:
cm = Centimeters
<blank> = Inches
Length
Base Number

Example: PE3W00135-12 = 12 inches long cable
PE3W00135-100cm = 100 cm long cable

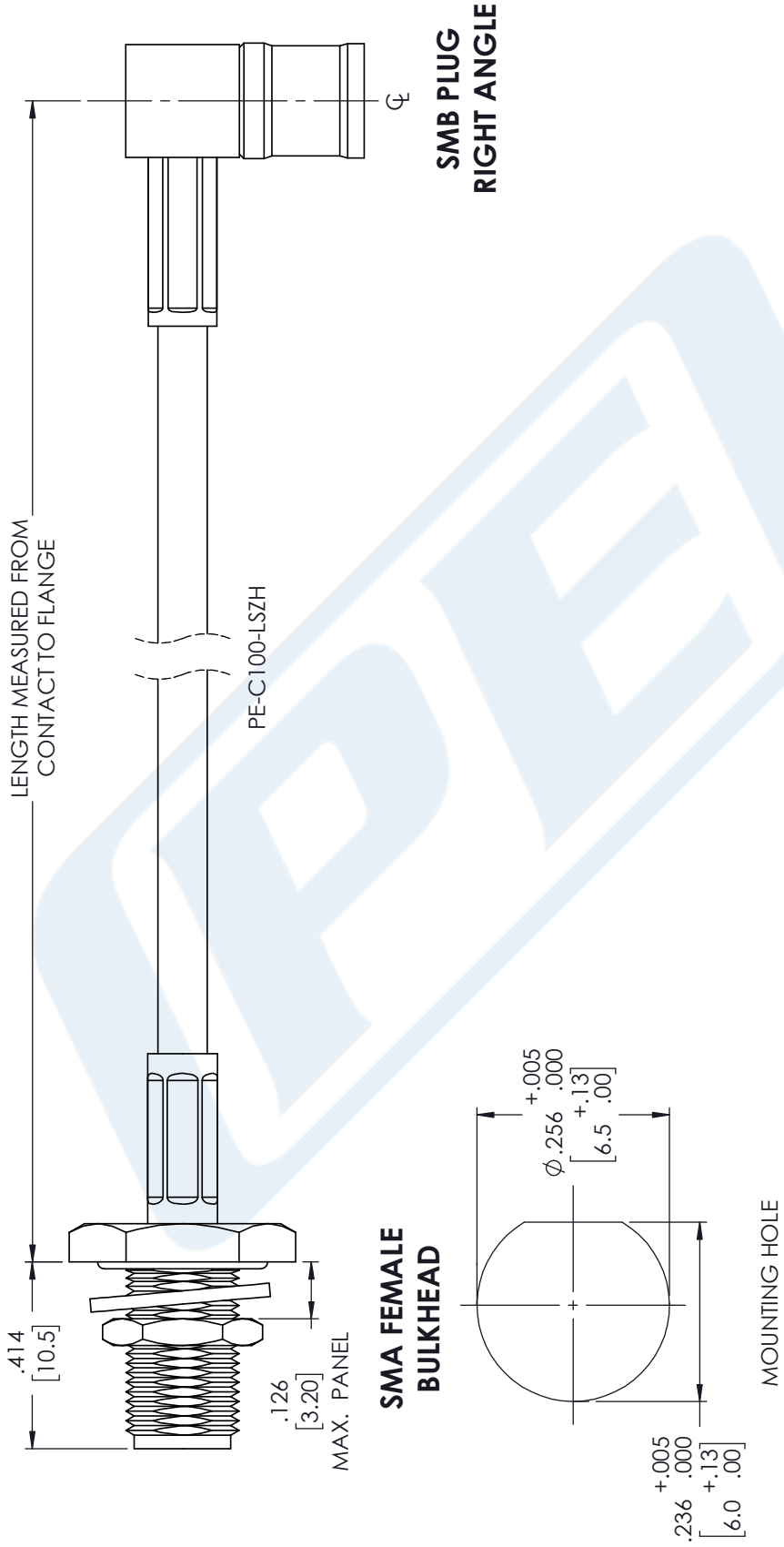
SMA Female Bulkhead to SMB Plug Right Angle Cable 100 cm Length Using PE-C100-LSZH Coax from Pasternack Enterprises has same day shipment for domestic and International orders. Our RF, microwave and millimeter wave products maintain a 99.4% availability and are part of the broadest selection in the industry.

Click the following link (or enter part number in "SEARCH" on website) to obtain additional part information including price, inventory and certifications: [SMA Female Bulkhead to SMB Plug Right Angle Cable 100 cm Length Using PE-C100-LSZH Coax PE3W00135-100CM](https://www.pasternack.com/sma-female-smb-plug-pe-c100-lszh-cable-assembly-pe3w00135-100cm-p.aspx)

URL: <https://www.pasternack.com/sma-female-smb-plug-pe-c100-lszh-cable-assembly-pe3w00135-100cm-p.aspx>

The information contained in this document is accurate to the best of our knowledge and representative of the part described herein. It may be necessary to make modifications to the part and/or the documentation of the part, in order to implement improvements. Pasternack reserves the right to make such changes as required. Unless otherwise stated, all specifications are nominal. Pasternack does not make any representation or warranty regarding the suitability of the part described herein for any particular purpose, and Pasternack does not assume any liability arising out of the use of any part or documentation.

PE3W00135-100CM CAD Drawing
 SMA Female Bulkhead to SMB Plug Right Angle Cable
 100 cm Length Using PE-C100-LSZH



NOTES:
 1. UNLESS OTHERWISE SPECIFIED ALL DIMENSIONS ARE NOMINAL.
 2. ALL SPECIFICATIONS ARE SUBJECT TO CHANGE WITHOUT NOTICE AT ANY TIME.
 3. DIMENSIONS ARE IN INCHES [mm].

DWG TITLE
 PE3W00135

CAGE CODE
 53919

PASTERNAK
 THE ENGINEER'S RF SOURCE
 Pasternack Enterprises, Inc.
 P.O. Box 16759 | Irvine | CA | 92623
 Phone: (949) 261-1920 | Fax: (949) 261-7451
 Website: www.pasternack.com | E-Mail: sales@pasternack.com

CAD FILE
 05/02/18

SCALE
 N/A

SIZE
 A

CN2379