



## MIL-DTL-17 N Female Bulkhead to SMA Male Cable 100 cm Length Using M17/128-RG400 Coax

### RF Cable Assemblies Technical Data Sheet

PE3M0076-100CM

#### Configuration

- Connector 1: M39012/03-0503(N Female Bulkhead)
- Connector 2: M39012/55-3028(SMA Male)
- Cable: M17/128-RG400

#### Features

- Max Frequency 11 GHz
- 69.5% Phase Velocity
- Double Shielded
- Lot Traceability
- J-STD-Soldering
- Qualified (QPL) cable and connectors
- RF Test Plots
- Test Report
- In stock and ready to ship

#### Applications

- Hi-Rel
- MIL-DTL-17 Requirements
- Avionics
- IFF
- SATCOM
- ECM

#### Description

Pasternack's MIL-DTL-17 cable assemblies are part of our full line of reliable RF components available for same-day shipping. These commercial-off-the-shelf (COTS), military grade cable assemblies are designed and processed with high reliability in mind. MIL-PRF-39012 connectors and MIL-C-17 coaxial cable are assembled using J-STD soldering processes and WHMA-A-620 workmanship criteria. The combination of materials, processing and acceptance testing work together to create a dependable cable assembly for applications where performance over time is important or the cost of failure is high. Each finished MIL-DTL-17 cable assembly is traceable to its component lots and a test report is available for every lot produced.

Our MIL-DTL-17 cable assembly datasheet specifications and drawing with dimensions are shown below in this PDF. Pasternack's broad catalog of RF, microwave and millimeter wave cable assemblies allow designers to configure and customize their signal connections however they like. Whether the need is to provide reliable mil-spec connections or fielding dependable RF cable assemblies, Pasternack has the right cable assemblies for the job. Pasternack can also expertly build your custom cable assemblies for you and ship same day.

#### Referenced Specifications

IPC/WHMA-A-620	Requirements and Acceptance for Cable and Wire Harness Assemblies
MIL-DTL-17	Cables, Radio Frequency, Flexible and Semirigid, General Specification for
MIL-STD-348	Radio Frequency Connector Interfaces for MIL-DTL-3643, MIL-DTL-3650, MIL-DTL-3655, MIL-DTL-25516, MIL-PRF-31031, MIL-PRF-39012, MIL-PRF-49142, MIL-PRF...
MIL-PRF-39012	Connectors, Coaxial, Radio Frequency, General Specification for
IPC J-STD-001	Requirements for Soldered Electrical and Electronic Assemblies
IPC J-STD-006	Requirements for Electronic Grade Solder Alloys and Fluxed and Non-Fluxed Solid Solders for Electronic Soldering Applications
SAE AS5942	Marking of Electrical Insulating Materials
SAE AS23053	Insulation Sleeving, Electrical, Heat Shrinkable, General Specifications For
SAE AS22520	Crimping Tools, Wire Termination, General Specification For

Click the following link (or enter part number in "SEARCH" on website) to obtain additional part information including price, inventory and certifications: [MIL-DTL-17 N Female Bulkhead to SMA Male Cable 100 cm Length Using M17/128-RG400 Coax PE3M0076-100CM](#)



# MIL-DTL-17 N Female Bulkhead to SMA Male Cable 100 cm Length Using M17/128-RG400 Coax

## RF Cable Assemblies Technical Data Sheet

PE3M0076-100CM

### Material Specifications

Component	Specification
Cable	M17/128-RG400 in accordance with MIL-DTL-17
Connector 1	M39012/03-0503 in accordance with MIL-PRF-39012
Connector 2	M39012/55-3028 in accordance with MIL-PRF-39012
Heat Shrink 1	M23053/5-106-0 in accordance with SAE AS23053
Heat Shrink 2	M23053/5-106-0 in accordance with SAE AS23053
Solder	SN63 in accordance with J-STD-006

### Electrical Specifications

Description	Minimum	Typical	Maximum	Units
Frequency Range	DC		11	GHz
VSWR			1.7:1	
Velocity of Propagation		69.5		%
Capacitance		32 [104.99]		pF/ft [pF/m]
DC Resistance Inner Conductor		0.91 [2.99]		Ω/1000ft [Ω/Km]
Dielectric Withstanding Voltage (AC)			1,000	Vrms

### Specifications by Frequency

Description	F1	F2	F3	F4	F5	Units
Frequency	0.4	1	3	10	11	GHz
Insertion Loss (Max.)	0.49	0.72	1.46	2.85	3.03	dB

#### Electrical Specification Notes:

The Insertion Loss data above is based on the performance specifications of the coax cable used in this assembly. The Insertion Loss includes an estimated insertion loss of 0.06\*SQRT(GHz) dB maximum for the SMA Male connector and 0.1 dB for the N Female connector.

### Mechanical Specifications

#### Cable Assembly

Description	Minimum	Typical	Maximum	Units
Length*	39.3701 [100]	39.3701 [100]	40.3701 [102.54]	in [cm]
Cable Outer Diameter	0.19	0.195	0.2	in
Weight			0.3 [136.08]	lbs [g]

Click the following link (or enter part number in "SEARCH" on website) to obtain additional part information including price, inventory and certifications: [MIL-DTL-17 N Female Bulkhead to SMA Male Cable 100 cm Length Using M17/128-RG400 Coax PE3M0076-100CM](#)



# MIL-DTL-17 N Female Bulkhead to SMA Male Cable 100 cm Length Using M17/128-RG400 Coax

## RF Cable Assemblies Technical Data Sheet

PE3M0076-100CM

\*Length Tolerances: +0.5, -0 inches for Length ≤ 1 foot; +1, -0 inches for Length >1 to 5 feet; +2, -0 inches for Length >5 to 10 feet; +3, -0 inches for Length >10 to 25 feet and +2%, -0 inches for Length >25 feet.

### Cable Characteristics

Description	Specification
Cable Type	M17/128-RG400
Impedance	50 Ohms
Inner Conductor Type	Stranded
Inner Conductor Material and Plating	Copper Clad Steel, Silver
Dielectric Type	PTFE
Number of Shields	2
Shield Layer 1	Silver Clad Copper
Shield Layer 2	Silver Clad Copper
Outer Conductor Diameter	0.171 in [4.34 mm]

### Connector Characteristics

Description	Connector 1	Connector 2
Type	N Female Bulkhead	SMA Male
Specification	MIL-PRF-39012	MIL-PRF-39012
Impedance	50 Ohms	50 Ohms
Contact Material and Plating	Phosphor Bronze, Gold	Beryllium Copper, Gold
Contact Plating Specification	MIL-G-45204	
Dielectric Type	Teflon	PTFE
Outer Conductor Material and Plating	Brass, Silver	
Outer Conductor Plating Specification	QQ-S-365	
Body Material and Plating	Brass, Silver	Passivated Stainless Steel
Body Plating Specification	QQ-S-365	
Coupling Nut Material and Plating	Brass, Silver	Passivated Stainless Steel
Coupling Nut Plating Specification	QQ-S-365	
Seal Gasket Material	Silicone Rubber	Silicone Rubber
Contact Gage Specification	0.187 to 0.207 in	0.000 in min
Insulator Gage Specification		0.000 in min

Mechanical Specification Notes:

Click the following link (or enter part number in "SEARCH" on website) to obtain additional part information including price, inventory and certifications: [MIL-DTL-17 N Female Bulkhead to SMA Male Cable 100 cm Length Using M17/128-RG400 Coax PE3M0076-100CM](#)



MIL-DTL-17 N Female Bulkhead to SMA Male Cable  
 100 cm Length Using M17/128-RG400 Coax

RF Cable Assemblies Technical Data Sheet

PE3M0076-100CM

**Environmental Specifications**

Description	Specification
Temperature Operating Range	-55 to +165 deg C

**Compliance Certifications** (see [product page](#) for current document)

**Process Specifications**

Process	Specification
Soldering	in accordance with J-STD-001, class 3
Crimping	dies in accordance with SAE AS22520
Marking	shall meet the adherence requirements of SAE AS5942
Workmanship	shall be in accordance with IPC/WHMA-A-620, class 3

**Tests and Inspections**

Description	Sampling
Connector Gaging (pin and insulator position)	100%
Insertion Loss	100%
VSWR	100%
Dielectric Withstanding Voltage (DWV)	100%
Visual - workmanship, configuration and marking	100%
Length	C=0, 1.5 AQL
Mass	C=0, 1.5 AQL

**Plotted and Other Data**

- Notes:
- Values at 25°C, sea level.

Click the following link (or enter part number in "SEARCH" on website) to obtain additional part information including price, inventory and certifications: [MIL-DTL-17 N Female Bulkhead to SMA Male Cable 100 cm Length Using M17/128-RG400 Coax PE3M0076-100CM](#)



MIL-DTL-17 N Female Bulkhead to SMA Male Cable  
100 cm Length Using M17/128-RG400 Coax

RF Cable Assemblies Technical Data Sheet

PE3M0076-100CM

**How to Order**

Part Number Configuration:

**PE3M0076**

- **xx**

**uu**

Unit of Measure:  
cm = Centimeters  
<blank> = Inches  
Length  
Base Number

Example: PE3M0076-12 = 12 inches long cable  
PE3M0076-100cm = 100 cm long cable

MIL-DTL-17 N Female Bulkhead to SMA Male Cable 100 cm Length Using M17/128-RG400 Coax from Pasternack Enterprises has same day shipment for domestic and International orders. Our RF, microwave and millimeter wave products maintain a 99.4% availability and are part of the broadest selection in the industry.

Click the following link (or enter part number in "SEARCH" on website) to obtain additional part information including price, inventory and certifications: [MIL-DTL-17 N Female Bulkhead to SMA Male Cable 100 cm Length Using M17/128-RG400 Coax PE3M0076-100CM](https://www.pasternack.com/n-female-sma-male-m17-128-rg400-cable-assembly-pe3m0076-100cm-p.aspx)

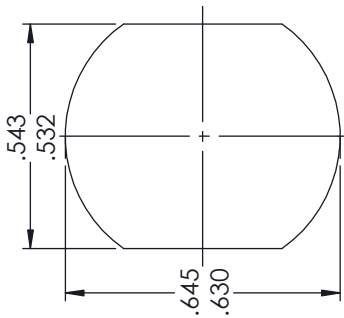
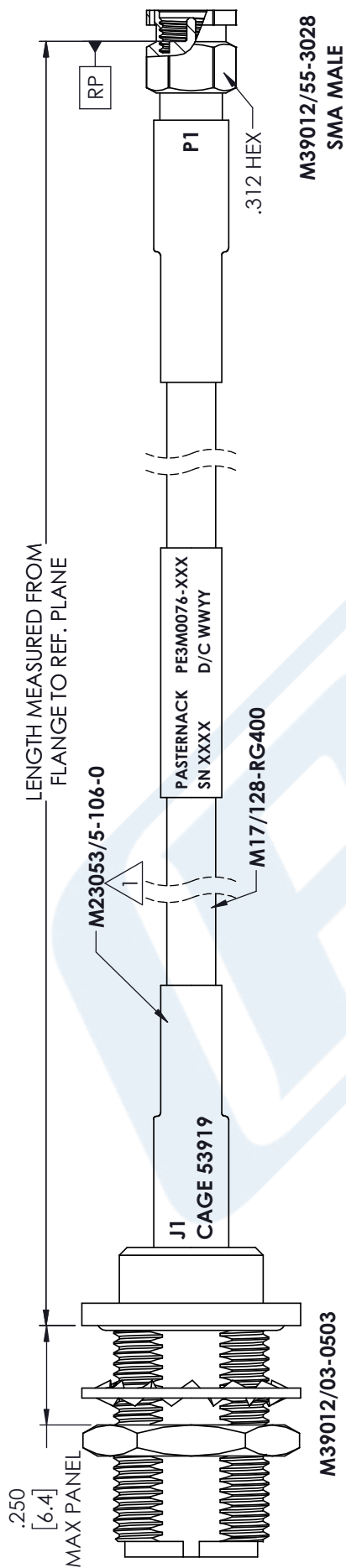
URL: <https://www.pasternack.com/n-female-sma-male-m17-128-rg400-cable-assembly-pe3m0076-100cm-p.aspx>

The information contained in this document is accurate to the best of our knowledge and representative of the part described herein. It may be necessary to make modifications to the part and/or the documentation of the part, in order to implement improvements. Pasternack reserves the right to make such changes as required. Unless otherwise stated, all specifications are nominal. Pasternack does not make any representation or warranty regarding the suitability of the part described herein for any particular purpose, and Pasternack does not assume any liability arising out of the use of any part or documentation.

# PE3M0076-100CM CAD Drawing

MIL-DTL-17 N Female Bulkhead to SMA Male Cable

100 cm Length Using M17/128-RG400 Coax



### MOUNTING HOLE

STANDARD TOLERANCES	
.X	±0.2
.XX	±0.01
.XXX	±0.005

\*STANDARD TOLERANCES APPLY ONLY TO DIMENSIONS IN INCHES

### NOTES:

1. BLACK HEAT SHRINK WITH WHITE MARKINGS 3 PLACES.



Pasternack Enterprises, Inc.  
P.O. Box 16759 | Irvine | CA | 92623

Phone: (949) 261-1920 | Fax: (949) 261-7451  
Website: www.pasternack.com | E-Mail: sales@pasternack.com

DWG TITLE

PE3M0076

- NOTES:
1. UNLESS OTHERWISE SPECIFIED ALL DIMENSIONS ARE NOMINAL.
  2. ALL SPECIFICATIONS ARE SUBJECT TO CHANGE WITHOUT NOTICE AT ANY TIME.
  3. DIMENSIONS ARE IN INCHES [mm].

CAGE CODE 53919

CAD FILE 09/10/18

SCALE N/A

SIZE A

CN2379