



# Pigtail Test Probe Cable SMA Female to Pre-Trimmed Lead 3 Inch Length Using PE-034SR Coax, RoHS

## RF Cable Assemblies Technical Data Sheet

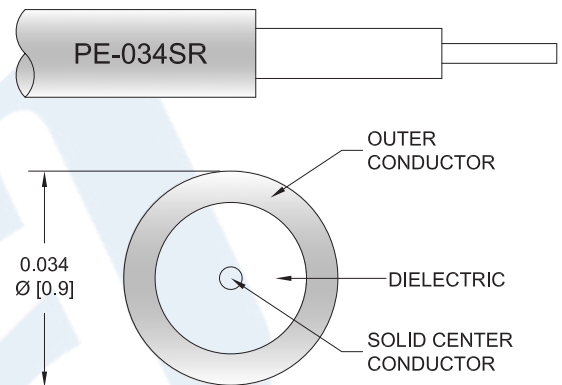
PE3CA1105-3

### Configuration

- Connector 1: SMA Female
- Connector 2: Trimmed Lead
- Cable Type: PE-034SR

### Features

- 100% RF Tested prior to final trim
- 1.35 Max VSWR to 6 GHz
- 100% High Pot Tested to 500V
- .034 Diameter Semi Rigid coax
- Individually packed in protective tube



### Applications

- Used as an RF Test Probe to 6 GHz
- RF PCB board measurements
- Signal injection

### Description

These SMA Female to pre-trimmed cables assemblies are designed to be used as convenient test probes. The pre-trimmed end of the cable assembly has an exposed center conductor and dielectric and is ready for use. A common Research and development application is to solder the trimmed end of the cable to an exposed microstrip trace to inject a signal or to measure a signal of interest. Each cable assembly is individually packaged in a reusable protective tube. These test probes have been 100% RF tested as a two ended assembly prior to trimming in order to verify the assemblies perform to 6 GHz with a maximum VSWR of 1.35:1. Flush Cutt Test Probes are also available.

### Electrical Specifications

Description	Minimum	Typical	Maximum	Units
Frequency Range	DC		6	GHz
VSWR			1.35:1	
Operating Voltage (AC)			500	Vrms

Click the following link (or enter part number in "SEARCH" on website) to obtain additional part information including price, inventory and certifications: [Pigtail Test Probe Cable SMA Female to Trimmed Lead 3 Inch Length Using PE-034SR Coax, RoHS PE3CA1105-3](#)



Pigtail Test Probe Cable SMA Female to Pre-Trimmed Lead 3 Inch Length Using PE-034SR Coax, RoHS

RF Cable Assemblies Technical Data Sheet

PE3CA1105-3

**Specifications by Frequency**

Description	F1	F2	F3	F4	F5	Units
Frequency	1	6				GHz
Insertion Loss (Typ.)	0.12	0.28				dB
VSWR (Max.)	1.35:1	1.35:1				

**Mechanical Specifications**

**Cable Assembly**

Length\* 3 in [76.2 mm]  
 Weight 0.011 lbs [4.99 g]

**Cable**

Cable Type PE-034SR  
 Impedance 50 Ohms  
 Inner Conductor Type Solid  
 Inner Conductor Material and Plating Copper Clad Steel, Silver  
 Dielectric Type PTFE  
 Number of Shields 1  
 Jacket Material Copper, Tan  
 Jacket Diameter 0.034 in [0.86 mm]

**Connectors**

Description	Connector 1	Connector 2
Type	SMA Female	Trimmed Lead
Impedance	50 Ohms	50 Ohms
Outer Conductor Material and Plating	Brass, Gold	
Body Material and Plating	Brass, Gold	

Mechanical Specification Notes:

\*All cable assemblies have a length tolerance of 1.5% or  $\pm 3/8$ ", whichever is greater.

**Environmental Specifications**

**Temperature**

Operating Range +125 deg C

Click the following link (or enter part number in "SEARCH" on website) to obtain additional part information including price, inventory and certifications: [Pigtail Test Probe Cable SMA Female to Trimmed Lead 3 Inch Length Using PE-034SR Coax, RoHS PE3CA1105-3](#)





Pigtail Test Probe Cable SMA Female to Pre-Trimmed  
Lead 3 Inch Length Using PE-034SR Coax, RoHS

RF Cable Assemblies Technical Data Sheet

PE3CA1105-3

**Compliance Certifications** (see [product page](#) for current document)

**Plotted and Other Data**

Notes:

- Values at 25°C, sea level.

**How to Order**

Part Number Configuration:

**PE3CA1105 - xx uu**

Unit of Measure:  
cm = Centimeters  
<blank> = Inches  
Length  
Base Number

Example: PE3CA1105-12 = 12 inches long cable  
PE3CA1105-100cm = 100 cm long cable

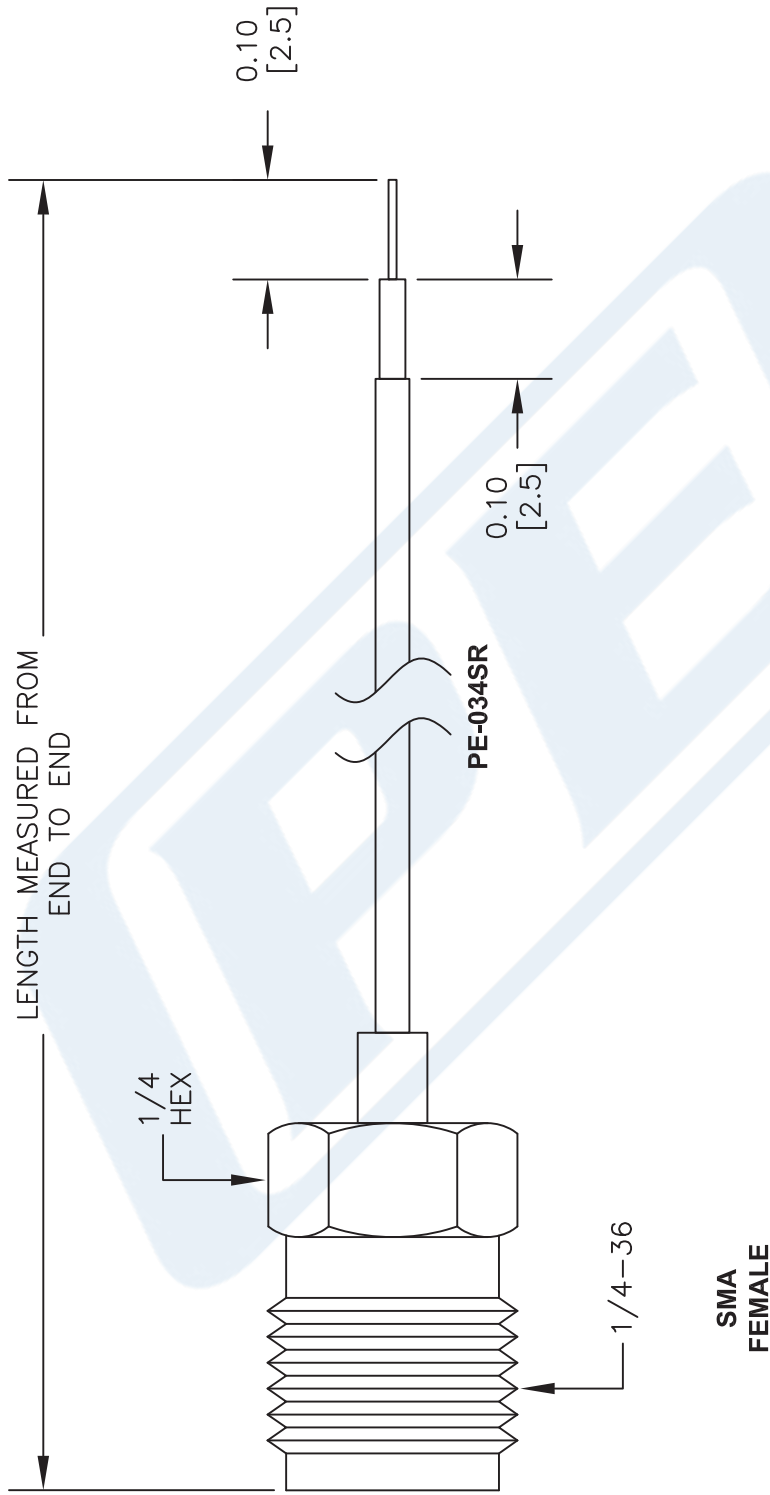
Pigtail Test Probe Cable SMA Female to Pre-Trimmed Lead 3 Inch Length Using PE-034SR Coax, RoHS from Pasternack Enterprises has same day shipment for domestic and International orders. Our RF, microwave and millimeter wave products maintain a 99.4% availability and are part of the broadest selection in the industry.

Click the following link (or enter part number in "SEARCH" on website) to obtain additional part information including price, inventory and certifications: [Pigtail Test Probe Cable SMA Female to Trimmed Lead 3 Inch Length Using PE-034SR Coax, RoHS PE3CA1105-3](#)

URL: <https://www.pasternack.com/sma-female-unterminated-lead-sexless-pe-034sr-cable-assembly-pe3ca1105-3-p.aspx>

The information contained in this document is accurate to the best of our knowledge and representative of the part described herein. It may be necessary to make modifications to the part and/or the documentation of the part, in order to implement improvements. Pasternack reserves the right to make such changes as required. Unless otherwise stated, all specifications are nominal. Pasternack does not make any representation or warranty regarding the suitability of the part described herein for any particular purpose, and Pasternack does not assume any liability arising out of the use of any part or documentation.

**PE3CA1105-3 CAD Drawing**  
 Pigtail Test Probe Cable SMA Female to Pre-Trimmed Lead  
 3 Inch Length Using PE-034SR Coax, RoHS



**SMA  
FEMALE**

DWG TITLE

**PE3CA1105**

NOTES:  
 1. UNLESS OTHERWISE SPECIFIED ALL DIMENSIONS ARE NOMINAL.  
 2. ALL SPECIFICATIONS ARE SUBJECT TO CHANGE WITHOUT NOTICE AT ANY TIME.  
 3. DIMENSIONS ARE IN INCHES [mm].  
 4. LENGTH TOLERANCE IS  $\pm 1.5\%$  OR  $3/8"$ , WHICHEVER IS GREATER.

FSCM NO. 53919

CAD FILE 050815

SCALE N/A

SIZE A

2233



Pasternack Enterprises, Inc.  
 P.O. Box 16759 | Irvine | CA | 92623  
 Phone: (949) 261-1920 | Fax: (949) 261-7451  
 Website: www.pasternack.com | E-Mail: sales@pasternack.com