



SMA Female Bulkhead to SMP Female Cable
36 Inch Length Using PE-P086 Coax

RF Cable Assemblies Technical Data Sheet

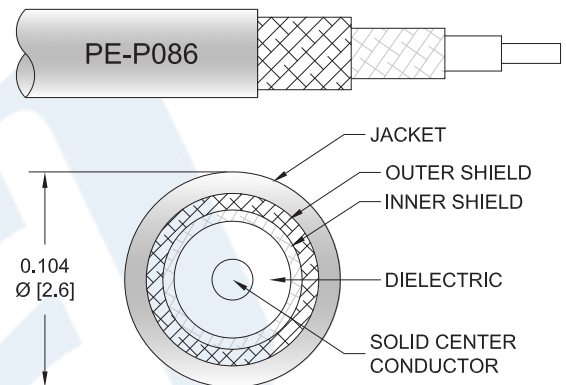
PE3C5233-36

Configuration

- Connector 1: SMA Female Bulkhead
- Connector 2: SMP Female
- Cable Type: PE-P086

Features

- Max Frequency 18 GHz
- Shielding Effectivity > 110 dB
- 70% Phase Velocity
- Double Shielded
- FEP Jacket



Applications

- General Purpose
- Laboratory Use

Description

Pasternack's PE3C5233-36 SMA female bulkhead to SMP female 36 inch cable using PE-P086 coax is part of our full line of RF components available for same-day shipping. Pasternack's flexible RF cable assemblies are ideal for applications where tight bends and flexure are required. This Pasternack SMA to SMP cable assembly has a female to female gender configuration with 50 ohm flexible PE-P086 coax. The PE3C5233-36 SMA female to SMP female cable assembly operates to 18 GHz. Our RF cable assembly with SMA bulkhead interface allows designers to create external connections on their product enclosures, and can be used in a variety of other rack mount and panel mount applications. The double shielding of this Pasternack cable assembly provides excellent shielding effectiveness of better than 110 dB.

Custom versions of most RF cable assemblies can be built and shipped same day. Custom cable assembly lengths can be obtained by specifying the desired length on the web site at time of order or by contacting a sales representative. Other available RF cable assembly value added services include connector orientation or clocking, heat shrink booting and custom labeling. RF testing can also be performed to document the electrical performance of your cable assembly.

Electrical Specifications

Description	Minimum	Typical	Maximum	Units
Frequency Range	DC		18	GHz
VSWR			1.4:1	
Velocity of Propagation		70		%
RF Shielding	110			dB
Capacitance		29.4 [96.46]		pF/ft [pF/m]

Click the following link (or enter part number in "SEARCH" on website) to obtain additional part information including price, inventory and certifications: [SMA Female Bulkhead to SMP Female Cable 36 Inch Length Using PE-P086 Coax PE3C5233-36](#)



SMA Female Bulkhead to SMP Female Cable 36 Inch Length Using PE-P086 Coax

RF Cable Assemblies Technical Data Sheet

PE3C5233-36

Specifications by Frequency

Description	F1	F2	F3	F4	F5	Units
Frequency	1	2	4.5	9	18	GHz
Insertion Loss (Max.)	0.83	1.12	1.61	2.29	3.34	dB

Electrical Specification Notes:

The Insertion Loss data above is based on the performance specifications of the coax used in this assembly. The Insertion Loss includes an estimated insertion loss of 0.2dB of connector loss.

Mechanical Specifications

Cable Assembly

Length*	36 in [914.4 mm]
Diameter	0.433 in [11 mm]

Cable

Cable Type	PE-P086
Impedance	50 Ohms
Inner Conductor Type	Solid
Inner Conductor Material and Plating	Copper Clad Steel, Silver
Dielectric Type	PTFE
Number of Shields	2
Shield Layer 1	Silver Plated Copper Tape
Shield Layer 2	Silver Plated Copper Braid
Jacket Material	FEP, Blue
Jacket Diameter	0.104 in [2.64 mm]

Repeated Minimum Bend Radius	0.5 in [12.7 mm]
------------------------------	------------------

Connectors

Description	Connector 1	Connector 2
Type	SMA Female Bulkhead	SMP Female
Specification		MIL-STD-348
Impedance	50 Ohms	50 Ohms
Contact Material and Plating	Beryllium Copper, Gold over Nickel	Beryllium Copper, Gold
Contact Plating Specification		MIL-G-45204
Dielectric Type	PTFE	PTFE
Body Material and Plating	Brass, Gold over Nickel	Beryllium Copper, Gold
Body Plating Specification		MIL-G-45204

Click the following link (or enter part number in "SEARCH" on website) to obtain additional part information including price, inventory and certifications: [SMA Female Bulkhead to SMP Female Cable 36 Inch Length Using PE-P086 Coax PE3C5233-36](#)



SMA Female Bulkhead to SMP Female Cable
36 Inch Length Using PE-P086 Coax

RF Cable Assemblies Technical Data Sheet

PE3C5233-36

Mechanical Specification Notes:

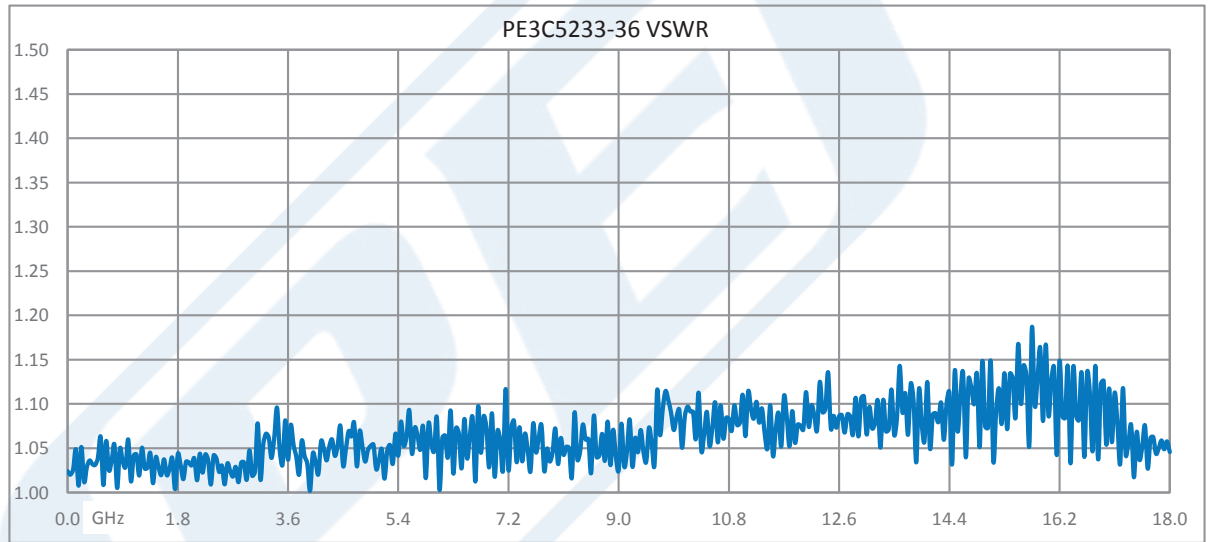
*All cable assemblies have a length tolerance of 1.5% or $\pm 3/8$ ", whichever is greater.

Compliance Certifications (see [product page](#) for current document)

Plotted and Other Data

Notes:

Typical Performance Data



Click the following link (or enter part number in "SEARCH" on website) to obtain additional part information including price, inventory and certifications: [SMA Female Bulkhead to SMP Female Cable 36 Inch Length Using PE-P086 Coax PE3C5233-36](#)



SMA Female Bulkhead to SMP Female Cable 36 Inch Length Using PE-P086 Coax

RF Cable Assemblies Technical Data Sheet

PE3C5233-36

How to Order

Part Number Configuration:

PE3C5233

- **xx**

uu

Unit of Measure:

cm = Centimeters

<blank> = Inches

Length

Base Number

Example: PE3C5233-12 = 12 inches long cable
PE3C5233-100cm = 100 cm long cable

SMA Female Bulkhead to SMP Female Cable 36 Inch Length Using PE-P086 Coax from Pasternack Enterprises has same day shipment for domestic and International orders. Our RF, microwave and millimeter wave products maintain a 99.4% availability and are part of the broadest selection in the industry.

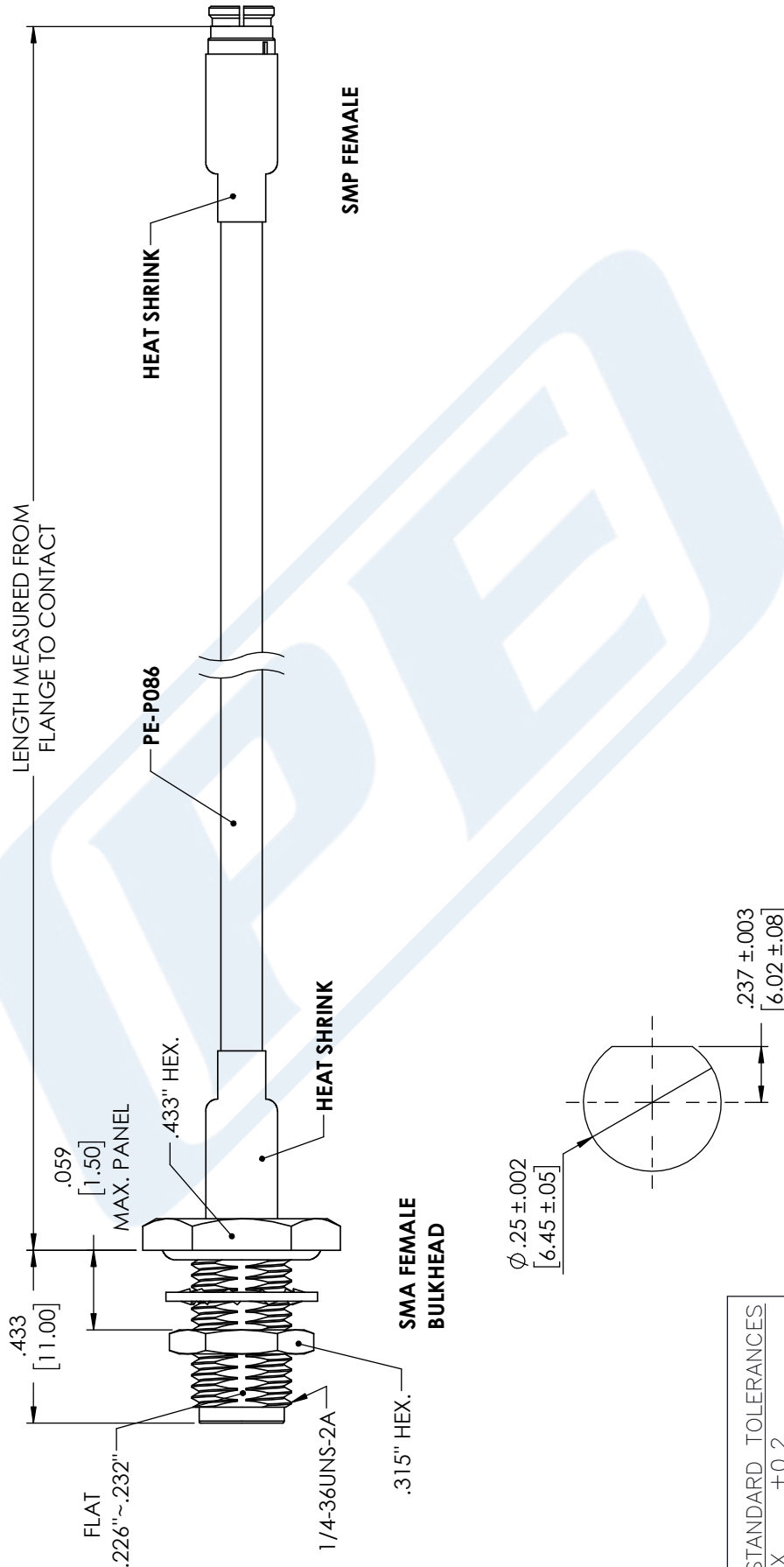
Click the following link (or enter part number in "SEARCH" on website) to obtain additional part information including price, inventory and certifications: [SMA Female Bulkhead to SMP Female Cable 36 Inch Length Using PE-P086 Coax PE3C5233-36](https://www.pasternack.com/sma-female-smp-female-pe-p086-cable-assembly-pe3c5233-36)

URL: <https://www.pasternack.com/sma-female-smp-female-pe-p086-cable-assembly-pe3c5233-36-p.aspx>

The information contained in this document is accurate to the best of our knowledge and representative of the part described herein. It may be necessary to make modifications to the part and/or the documentation of the part, in order to implement improvements. Pasternack reserves the right to make such changes as required. Unless otherwise stated, all specifications are nominal. Pasternack does not make any representation or warranty regarding the suitability of the part described herein for any particular purpose, and Pasternack does not assume any liability arising out of the use of any part or documentation.

PE3C5233-36 CAD Drawing

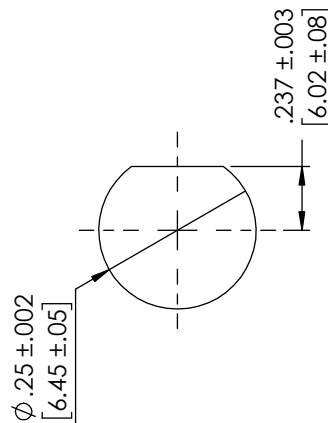
SMA Female Bulkhead to SMP Female Cable 36 Inch Length Using PE-P086 Coax



STANDARD TOLERANCES	
.X	±0.2
.XX	±0.01
.XXX	±0.005

*STANDARD TOLERANCES APPLY ONLY TO DIMENSIONS IN INCHES

MOUNTING HOLE



NOTES:
 1. UNLESS OTHERWISE SPECIFIED ALL DIMENSIONS ARE NOMINAL.
 2. ALL SPECIFICATIONS ARE SUBJECT TO CHANGE WITHOUT NOTICE AT ANY TIME.
 3. DIMENSIONS ARE IN INCHES [mm].

DWG TITLE	PE3C5233
CAGE CODE	53919
CAD FILE	10/09/18
SCALE	N/A
SIZE A	CN2245

PASTERNAK®
 THE ENGINEER'S RF SOURCE
 Pasternack Enterprises, Inc.
 P.O. Box 16759 | Irvine | CA | 92623
Phone: (949) 261-1920 | **Fax:** (949) 261-7451
Website: www.pasternack.com | **E-Mail:** sales@pasternack.com