



N Female Bulkhead to Reverse Polarity SMA Male Right Angle Cable 12 Inch Length Using RG400 Coax

RF Cable Assemblies Technical Data Sheet

PE3C5030-12

Configuration

- Connector 1: N Female Bulkhead
- Connector 2: SMA Male Reverse Polarity Right Angle
- Cable Type: RG400

Features

- Max Frequency 6 GHz
- 70% Phase Velocity
- Double Shielded
- FEP Jacket

Applications

- General Purpose
- Laboratory Use

Description

Pasternack's PE3C5030-12 type N female bulkhead to reverse polarity SMA male right angle 12 inch cable using RG400 coax is part of our full line of RF components available for same-day shipping. Pasternack's flexible RF cable assemblies are ideal for applications where tight bends and flexure are required. This Pasternack type N to reverse polarity SMA cable assembly has a female to male gender configuration with 50 ohm flexible RG400 coax. The PE3C5030-12 type N female to reverse polarity SMA male cable assembly operates to 6 GHz. The right angle SMA interface on the RG400 cable allows for easier connections in tight spaces. Our RF cable assembly with type N bulkhead interface allows designers to create external connections on their product enclosures, and can be used in a variety of other rack mount and panel mount applications. The double shielding of this Pasternack cable assembly provides excellent shielding effectiveness.

Custom versions of most RF cable assemblies can be built and shipped same day. Custom cable assembly lengths can be obtained by specifying the desired length on the web site at time of order or by contacting a sales representative. Other available RF cable assembly value added services include connector orientation or clocking, heat shrink booting and custom labeling. RF testing can also be performed to document the electrical performance of your cable assembly.

Electrical Specifications

Description	Minimum	Typical	Maximum	Units
Frequency Range	DC		6	GHz
VSWR			1.5:1	
Velocity of Propagation		70		%
Capacitance		32 [104.99]		pF/ft [pF/m]

Click the following link (or enter part number in "SEARCH" on website) to obtain additional part information including price, inventory and certifications: [N Female Bulkhead to Reverse Polarity SMA Male Right Angle Cable 12 Inch Length Using RG400 Coax PE3C5030-12](#)



N Female Bulkhead to Reverse Polarity SMA Male
Right Angle Cable 12 Inch Length Using RG400 Coax

RF Cable Assemblies Technical Data Sheet

PE3C5030-12

Specifications by Frequency

Description	F1	F2	F3	F4	F5	Units
Frequency	0.25	0.5	1	2.5	6	GHz
Insertion Loss (Typ.)	0.37	0.4	0.45	0.54	0.7	dB

Electrical Specification Notes:

The Insertion Loss data above is based on the performance specifications of the coax cable used in this assembly. The Insertion Loss includes an estimated insertion loss of 0.3dB of connector loss.

Mechanical Specifications

Cable Assembly

Length* 12 in [304.8 mm]
Diameter 0.827 in [21.01 mm]

Cable

Cable Type RG400
Impedance 50 Ohms
Inner Conductor Type Stranded
Inner Conductor Material and Plating Copper, Silver
Dielectric Type PTFE
Number of Shields 2
Shield Layer 1 Silver Plated Copper Braid
Shield Layer 2 Silver Plated Copper Braid
Jacket Material FEP, Tan
Jacket Diameter 0.195 in [4.95 mm]

Repeated Minimum Bend Radius 1 in [25.4 mm]

Click the following link (or enter part number in "SEARCH" on website) to obtain additional part information including price, inventory and certifications: [N Female Bulkhead to Reverse Polarity SMA Male Right Angle Cable 12 Inch Length Using RG400 Coax PE3C5030-12](#)



N Female Bulkhead to Reverse Polarity SMA Male
Right Angle Cable 12 Inch Length Using RG400 Coax

RF Cable Assemblies Technical Data Sheet

PE3C5030-12

Connectors

Description	Connector 1	Connector 2
Type	N Female Bulkhead	SMA Male Reverse Polarity Right Angle
Specification	MIL-STD-348A	
Impedance	50 Ohms	50 Ohms
Contact Material and Plating	Brass, Gold	Beryllium Copper, Gold
Contact Plating Specification	30 µin minimum	
Dielectric Type	PTFE	PTFE
Body Material and Plating	Brass, Nickel	Brass, Nickel
Body Plating Specification	100 µin minimum	
Coupling Nut Material and Plating		Brass, Nickel
Hex Size		5/16 inch
Torque		3 in-lbs [0.34 Nm]

Mechanical Specification Notes:

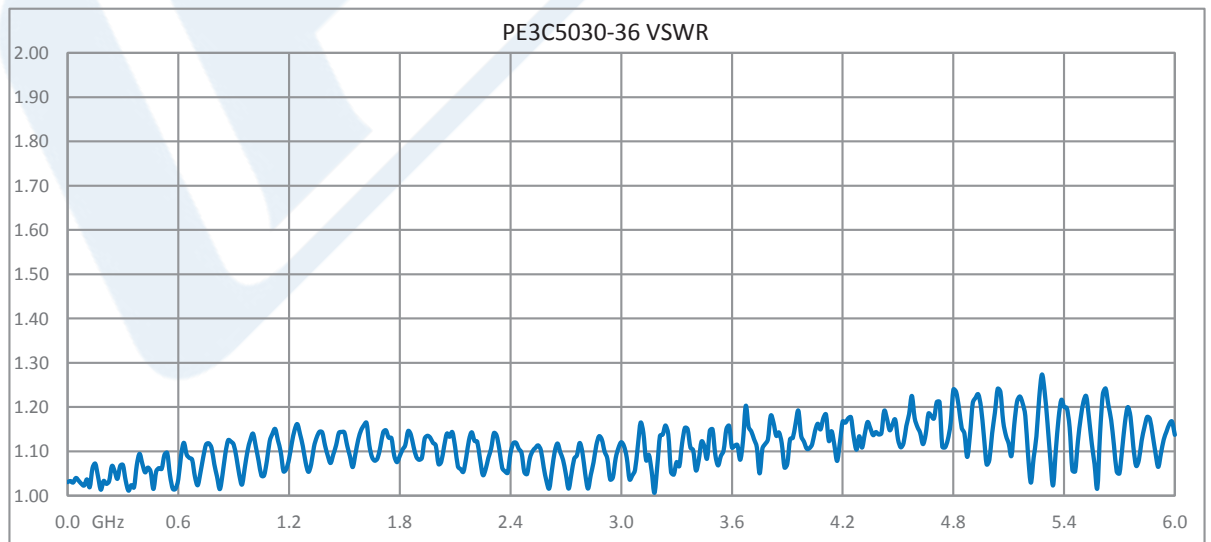
*All cable assemblies have a length tolerance of 1.5% or ± 3/8", whichever is greater.

Compliance Certifications (see [product page](#) for current document)

Plotted and Other Data

Notes:

Typical Performance Data



Click the following link (or enter part number in "SEARCH" on website) to obtain additional part information including price, inventory and certifications: [N Female Bulkhead to Reverse Polarity SMA Male Right Angle Cable 12 Inch Length Using RG400 Coax PE3C5030-12](#)



N Female Bulkhead to Reverse Polarity SMA Male
Right Angle Cable 12 Inch Length Using RG400 Coax

RF Cable Assemblies Technical Data Sheet

PE3C5030-12

How to Order

Part Number Configuration:

PE3C5030

- **xx**

uu

Unit of Measure:
cm = Centimeters
<blank> = Inches
Length
Base Number

Example: PE3C5030-12 = 12 inches long cable
PE3C5030-100cm = 100 cm long cable

N Female Bulkhead to Reverse Polarity SMA Male Right Angle Cable 12 Inch Length Using RG400 Coax from Pasternack Enterprises has same day shipment for domestic and International orders. Our RF, microwave and millimeter wave products maintain a 99.4% availability and are part of the broadest selection in the industry.

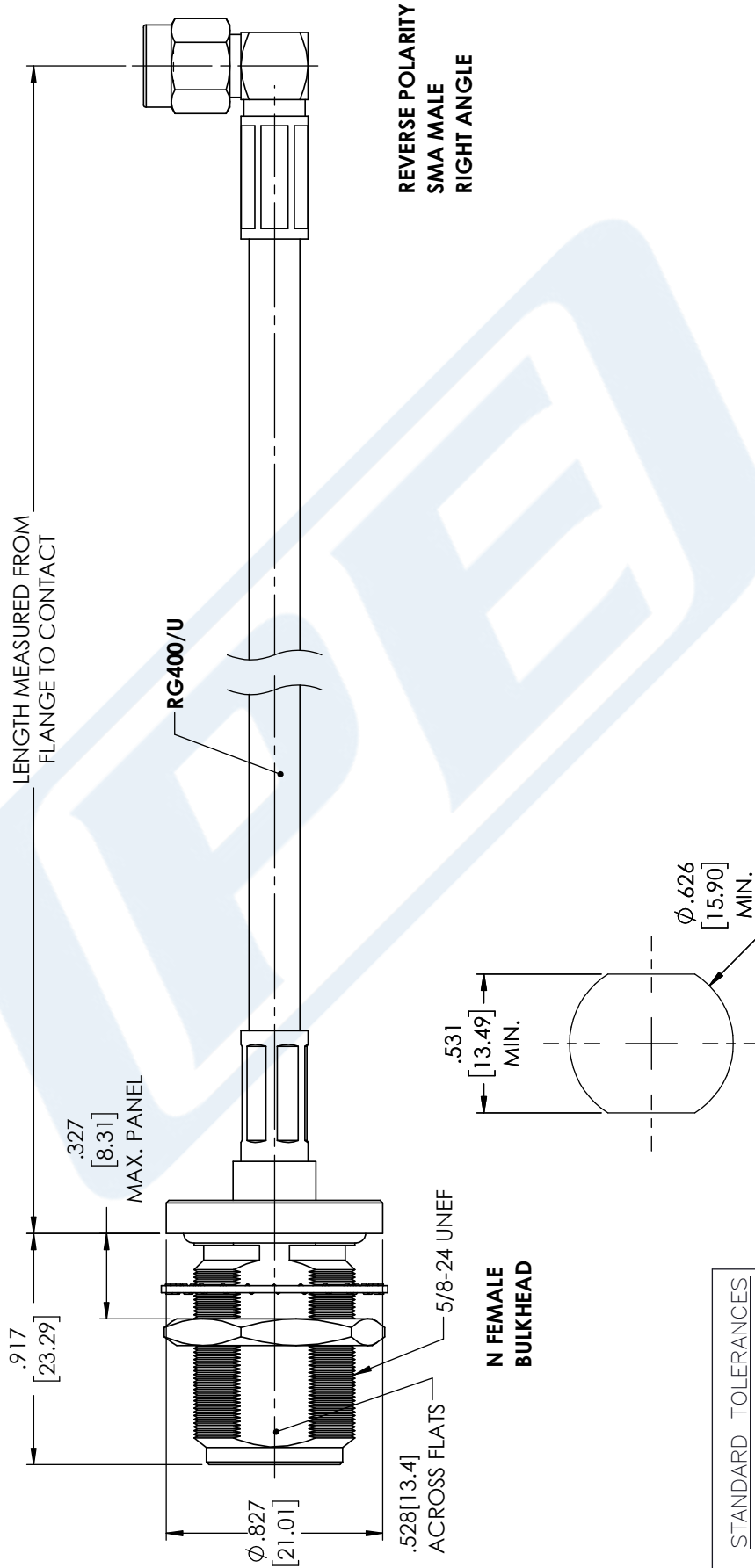
Click the following link (or enter part number in "SEARCH" on website) to obtain additional part information including price, inventory and certifications: [N Female Bulkhead to Reverse Polarity SMA Male Right Angle Cable 12 Inch Length Using RG400 Coax PE3C5030-12](https://www.pasternack.com/n-female-sma-male-rg400u-cable-assembly-pe3c5030-12-p.aspx)

URL: <https://www.pasternack.com/n-female-sma-male-rg400u-cable-assembly-pe3c5030-12-p.aspx>

The information contained in this document is accurate to the best of our knowledge and representative of the part described herein. It may be necessary to make modifications to the part and/or the documentation of the part, in order to implement improvements. Pasternack reserves the right to make such changes as required. Unless otherwise stated, all specifications are nominal. Pasternack does not make any representation or warranty regarding the suitability of the part described herein for any particular purpose, and Pasternack does not assume any liability arising out of the use of any part or documentation.

PE3C5030-12 CAD Drawing

N Female Bulkhead to Reverse Polarity SMA Male Right Angle
Cable 12 Inch Length Using RG400 Coax



NOTES:
1. UNLESS OTHERWISE SPECIFIED ALL DIMENSIONS ARE NOMINAL.
2. ALL SPECIFICATIONS ARE SUBJECT TO CHANGE WITHOUT NOTICE AT ANY TIME.
3. DIMENSIONS ARE IN INCHES [mm].

DWG TITLE
PE3C5030

CAGE CODE 53919

SCALE N/A

SIZE A

CAD FILE 09/26/18

CN2245

PASTERNAK®
THE ENGINEER'S RF SOURCE

Pasternack Enterprises, Inc.
P.O. Box 16759 | Irvine | CA | 92623

Phone: (949) 261-1920 | Fax: (949) 261-7451
Website: www.pasternack.com | E-Mail: sales@pasternack.com