



Snap-On BMA Jack to SMA Male Cable 60 Inch Length Using RG316 Coax

RF Cable Assemblies Technical Data Sheet

PE3C4941-60

Configuration

- Connector 1: Snap-On BMA Jack
- Connector 2: SMA Male
- Cable Type: RG316

Features

- Max Frequency 3 GHz
- 69% Phase Velocity
- FEP Jacket
- Good VSWR of 1.4:1
- Gold Plated BMA Contacts
- Low Engagement Force BMA interface
- In stock and ready to ship

Applications

- General Purpose
- Laboratory Use BMA Cable RF Backplanes
- Blind Mate BMA Test Rack and Panel
- Phased Array Interconnects
- High Speed Switching Networks

Description

Pasternack's BMA cable assemblies using RG316/U Coax are part of our full line of RF components available for same-day shipping. These BMA cable assemblies are designed to connect BMA system components, BMA racks, or BMA backplanes, delivering signal frequencies as high as 22 GHz. Our family of BMA cables can also be used to connect switching networks or phase-matched antenna arrays where low loss BMA interconnects are desired. If none of our standard options fit your application, you can specify your own custom BMA cable assembly using Pasternack's online Cable Creator.

Our BMA cable assembly datasheet specifications and drawing with dimensions are shown below in this PDF. Pasternack's broad catalog of RF, microwave and millimeter wave cable assemblies allow designers to configure and customize their signal connections however they like. Whether the need is to provide BMA cabling or blind mate rack connections, Pasternack has the right cable assemblies for the job. Pasternack can also expertly build your custom cable assemblies for you and ship same day.

Electrical Specifications

| Description | Minimum | Typical | Maximum | Units |
|-------------------------|---------|---------|---------|-------|
| Frequency Range | DC | | 3 | GHz |
| VSWR | | | 1.4:1 | |
| Return Loss | | | 15.56 | dB |
| Velocity of Propagation | | 69 | | % |
| Operating Voltage (AC) | | | 250 | Vrms |
| Jacket Spark | | | 2,000 | Vrms |

Click the following link (or enter part number in "SEARCH" on website) to obtain additional part information including price, inventory and certifications: [Snap-On BMA Jack to SMA Male Cable 60 Inch Length Using RG316 Coax PE3C4941-60](#)



Snap-On BMA Jack to SMA Male Cable
60 Inch Length Using RG316 Coax

RF Cable Assemblies Technical Data Sheet

PE3C4941-60

Specifications by Frequency

| Description | F1 | F2 | F3 | F4 | F5 | Units |
|-----------------------|------|------|------|-----|-----|-------|
| Frequency | 0.1 | 0.25 | 0.5 | 1 | 3 | GHz |
| Insertion Loss (Typ.) | 0.75 | 0.95 | 1.55 | 2.1 | 3.1 | dB |

Mechanical Specifications

Cable Assembly

Length* 60 in [152.4 cm]
Diameter 0.35 in [8.89 mm]

Cable

Cable Type RG316
Impedance 50 Ohms
Inner Conductor Type Stranded
Inner Conductor Material and Plating Copper Clad Steel, Silver
Dielectric Type PTFE
Number of Shields 1
Shield Layer 1 Silver Plated Copper Braid
Jacket Material FEP, Tan
Jacket Diameter 0.098 in [2.49 mm]

Click the following link (or enter part number in "SEARCH" on website) to obtain additional part information including price, inventory and certifications: [Snap-On BMA Jack to SMA Male Cable 60 Inch Length Using RG316 Coax PE3C4941-60](#)





Snap-On BMA Jack to SMA Male Cable 60 Inch Length Using RG316 Coax

RF Cable Assemblies Technical Data Sheet

PE3C4941-60

Connectors

| Description | Connector 1 | Connector 2 |
|--------------------------------------|----------------------------|--------------------|
| Type | BMA Jack | SMA Male |
| Specification | | MIL-STD-348A |
| Impedance | 50 Ohms | 50 Ohms |
| Connection Method | Snap-On | |
| Contact Material and Plating | Beryllium Copper, Gold | Brass, Gold |
| Contact Plating Specification | 51.18µ in. minimum | 30 µin minimum |
| Dielectric Type | PTFE | PTFE |
| Outer Conductor Material and Plating | Beryllium Copper, Gold | |
| Body Material and Plating | Passivated Stainless Steel | Brass, Nickel |
| Body Plating Specification | | 100 µin minimum |
| Coupling Nut Material and Plating | | Brass, Nickel |
| Coupling Nut Plating Specification | | 100 µin minimum |
| Hex Size | | 5/16 inch |
| Torque | | 3 in-lbs [0.34 Nm] |

Mechanical Specification Notes:

*All cable assemblies have a length tolerance of 1.5% or ± 3/8", whichever is greater.

Environmental Specifications

Temperature

Operating Range -55 to +165 deg C

Compliance Certifications (see [product page](#) for current document)

Plotted and Other Data

Notes:

Click the following link (or enter part number in "SEARCH" on website) to obtain additional part information including price, inventory and certifications: [Snap-On BMA Jack to SMA Male Cable 60 Inch Length Using RG316 Coax PE3C4941-60](#)

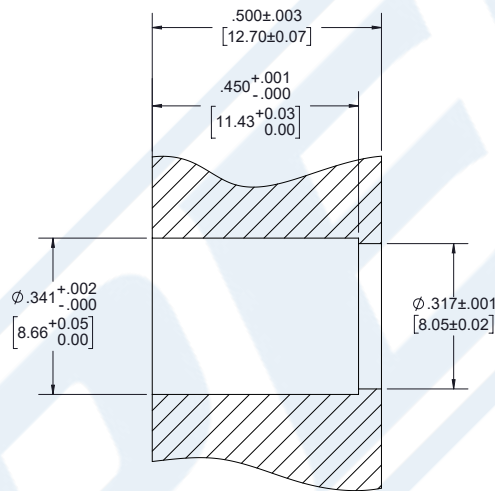


Snap-On BMA Jack to SMA Male Cable
60 Inch Length Using RG316 Coax

RF Cable Assemblies Technical Data Sheet

PE3C4941-60

Typical Performance Data



PANEL DRILLING

Click the following link (or enter part number in "SEARCH" on website) to obtain additional part information including price, inventory and certifications: [Snap-On BMA Jack to SMA Male Cable 60 Inch Length Using RG316 Coax PE3C4941-60](#)



Snap-On BMA Jack to SMA Male Cable
60 Inch Length Using RG316 Coax

RF Cable Assemblies Technical Data Sheet

PE3C4941-60

How to Order

Part Number Configuration:

PE3C4941

- **xx**

uu

Unit of Measure:
cm = Centimeters
<blank> = Inches
Length
Base Number

Example: PE3C4941-12 = 12 inches long cable
PE3C4941-100cm = 100 cm long cable

Snap-On BMA Jack to SMA Male Cable 60 Inch Length Using RG316 Coax from Pasternack Enterprises has same day shipment for domestic and International orders. Our RF, microwave and millimeter wave products maintain a 99.4% availability and are part of the broadest selection in the industry.

Click the following link (or enter part number in "SEARCH" on website) to obtain additional part information including price, inventory and certifications: [Snap-On BMA Jack to SMA Male Cable 60 Inch Length Using RG316 Coax PE3C4941-60](https://www.pasternack.com/bma-jack-sma-male-rg316u-cable-assembly-pe3c4941-60)

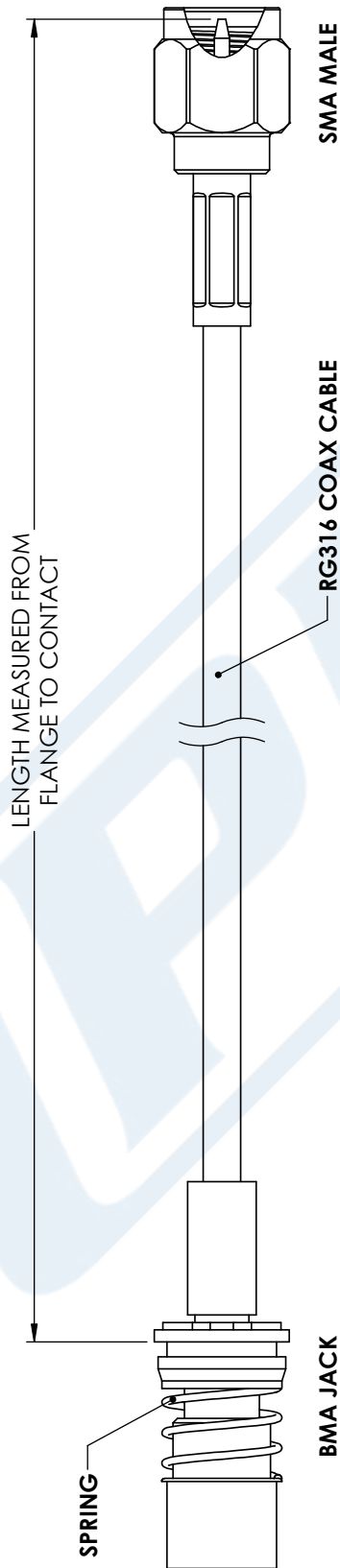
URL: <https://www.pasternack.com/bma-jack-sma-male-rg316u-cable-assembly-pe3c4941-60-p.aspx>

The information contained in this document is accurate to the best of our knowledge and representative of the part described herein. It may be necessary to make modifications to the part and/or the documentation of the part, in order to implement improvements. Pasternack reserves the right to make such changes as required. Unless otherwise stated, all specifications are nominal. Pasternack does not make any representation or warranty regarding the suitability of the part described herein for any particular purpose, and Pasternack does not assume any liability arising out of the use of any part or documentation.



PE3C4941-60 CAD Drawing

Snap-On BMA Jack to SMA Male Cable 60 Inch Length Using RG316 Coax



STANDARD TOLERANCES

- .X ±0.2
- .XX ±0.01
- .XXX ±0.005

*STANDARD TOLERANCES APPLY ONLY TO DIMENSIONS IN INCHES

| | | |
|--|-------------------------------|--|
| <p>NOTES:</p> <ol style="list-style-type: none"> 1. UNLESS OTHERWISE SPECIFIED ALL DIMENSIONS ARE NOMINAL. 2. ALL SPECIFICATIONS ARE SUBJECT TO CHANGE WITHOUT NOTICE AT ANY TIME. 3. DIMENSIONS ARE IN INCHES [mm]. | <p>DWG TITLE PE3C4941</p> | <p>PASTERNAK® THE ENGINEER'S RF SOURCE Pasternack Enterprises, Inc. P.O. Box 16759 Irvine CA 92623 Phone: (949) 261-1920 Fax: (949) 261-7451 Website: www.pasternack.com E-Mail: sales@pasternack.com</p> |
| <p>CAD FILE 01/02/18</p> | <p>SCALE N/A</p> | <p>CAGE CODE 53919</p> |
| <p>SIZE A</p> | <p>CN2245</p> | <p>6</p> |