



Snap-On MMBX Plug Right Angle to SMA Female Bulkhead Cable 100 CM Length Using RG178 Coax

RF Cable Assemblies Technical Data Sheet

PE3C4807-100CM

Configuration

- Connector 1: Snap-On MMBX Plug Right Angle
- Connector 2: SMA Female Bulkhead
- Cable Type: RG178

Features

- Max Frequency 3 GHz
- 70% Phase Velocity
- FEP Jacket

Applications

- General Purpose
- Laboratory Use

Description

Pasternack's PE3C4807-100CM MMBX plug snap-on right angle to SMA female bulkhead 100 cm cable using RG178 coax is part of our full line of RF components available for same-day shipping. Pasternack's flexible RF cable assemblies are ideal for applications where tight bends and flexure are required. This Pasternack MMBX to SMA cable assembly has a plug to female gender configuration with 50 ohm flexible RG178 coax. The PE3C4807-100CM MMBX plug to SMA female cable assembly operates to 3 GHz. The right angle MMBX interface on the RG178 cable allows for easier connections in tight spaces. Our RF cable assembly with SMA bulkhead interface allows designers to create external connections on their product enclosures, and can be used in a variety of other rack mount and panel mount applications.

Custom versions of most RF cable assemblies can be built and shipped same day. Custom cable assembly lengths can be obtained by specifying the desired length on the web site at time of order or by contacting a sales representative. Other available RF cable assembly value added services include connector orientation or clocking, heat shrink booting and custom labeling. RF testing can also be performed to document the electrical performance of your cable assembly.

Electrical Specifications

Description	Minimum	Typical	Maximum	Units
Frequency Range	DC		3	GHz
VSWR			1.4:1	
Velocity of Propagation		70		%
Capacitance		29.4 [96.46]		pF/ft [pF/m]

Click the following link (or enter part number in "SEARCH" on website) to obtain additional part information including price, inventory and certifications: [Snap-On MMBX Plug Right Angle to SMA Female Bulkhead Cable 100 CM Length Using RG178 Coax PE3C4807-100CM](#)



Snap-On MMBX Plug Right Angle to SMA Female Bulkhead Cable 100 CM Length Using RG178 Coax

RF Cable Assemblies Technical Data Sheet

PE3C4807-100CM

Specifications by Frequency

Description	F1	F2	F3	F4	F5	Units
Frequency	0.25	0.5	1	2.5	3	GHz
Insertion Loss (Max.)	0.98	1.3	1.76	2.59	2.87	dB

Electrical Specification Notes:

The Insertion Loss data above is based on the specifications of the coax used in this assembly. The Insertion Loss includes an estimated insertion loss of 0.3dB of connector loss.

Mechanical Specifications

Cable Assembly

Length*	39.37 in [100 cm]
Diameter	0.312 in [7.92 mm]

Cable

Cable Type	RG178
Impedance	50 Ohms
Inner Conductor Type	Stranded
Inner Conductor Material and Plating	Copper Clad Steel, Silver
Dielectric Type	PTFE
Number of Shields	1
Shield Layer 1	Silver Plated Copper Braid
Jacket Material	FEP, Tan
Jacket Diameter	0.072 in [1.83 mm]
Repeated Minimum Bend Radius	0.4 in [10.16 mm]

Connectors

Description	Connector 1	Connector 2
Type	MMBX Plug Right Angle	SMA Female Bulkhead
Impedance	50 Ohms	50 Ohms
Connection Method	Snap-On	
Mating Cycles	100	
Contact Material and Plating	Beryllium Copper, Gold	Beryllium Copper, Gold
Dielectric Type	PTFE	PTFE
Outer Conductor Material and Plating	Brass, Gold	
Body Material and Plating	Brass, Gold	Brass, Nickel

Mechanical Specification Notes:

Click the following link (or enter part number in "SEARCH" on website) to obtain additional part information including price, inventory and certifications: [Snap-On MMBX Plug Right Angle to SMA Female Bulkhead Cable 100 CM Length Using RG178 Coax PE3C4807-100CM](#)



Snap-On MMBX Plug Right Angle to SMA Female
Bulkhead Cable 100 CM Length Using RG178 Coax

RF Cable Assemblies Technical Data Sheet

PE3C4807-100CM

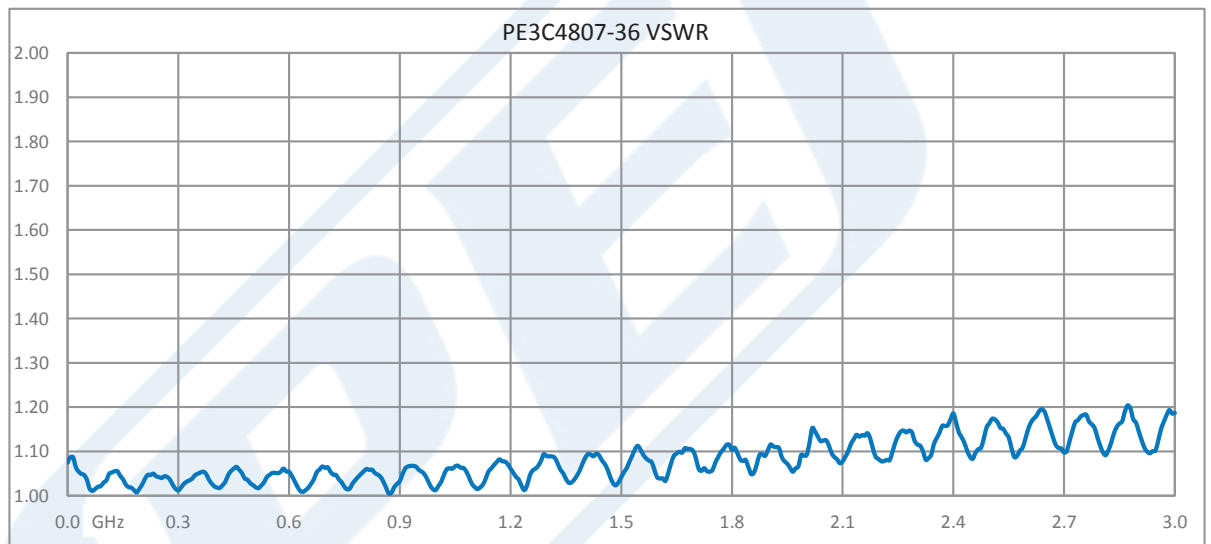
*All cable assemblies have a length tolerance of 1.5% or $\pm 3/8$ ", whichever is greater.

Compliance Certifications (see [product page](#) for current document)

Plotted and Other Data

Notes:

Typical Performance Data



Click the following link (or enter part number in "SEARCH" on website) to obtain additional part information including price, inventory and certifications: [Snap-On MMBX Plug Right Angle to SMA Female Bulkhead Cable 100 CM Length Using RG178 Coax PE3C4807-100CM](#)



Snap-On MMBX Plug Right Angle to SMA Female Bulkhead Cable 100 CM Length Using RG178 Coax

RF Cable Assemblies Technical Data Sheet

PE3C4807-100CM

How to Order

Part Number Configuration:

PE3C4807

- **xx**

uu

Unit of Measure:
cm = Centimeters
<blank> = Inches
Length
Base Number

Example: PE3C4807-12 = 12 inches long cable
PE3C4807-100cm = 100 cm long cable

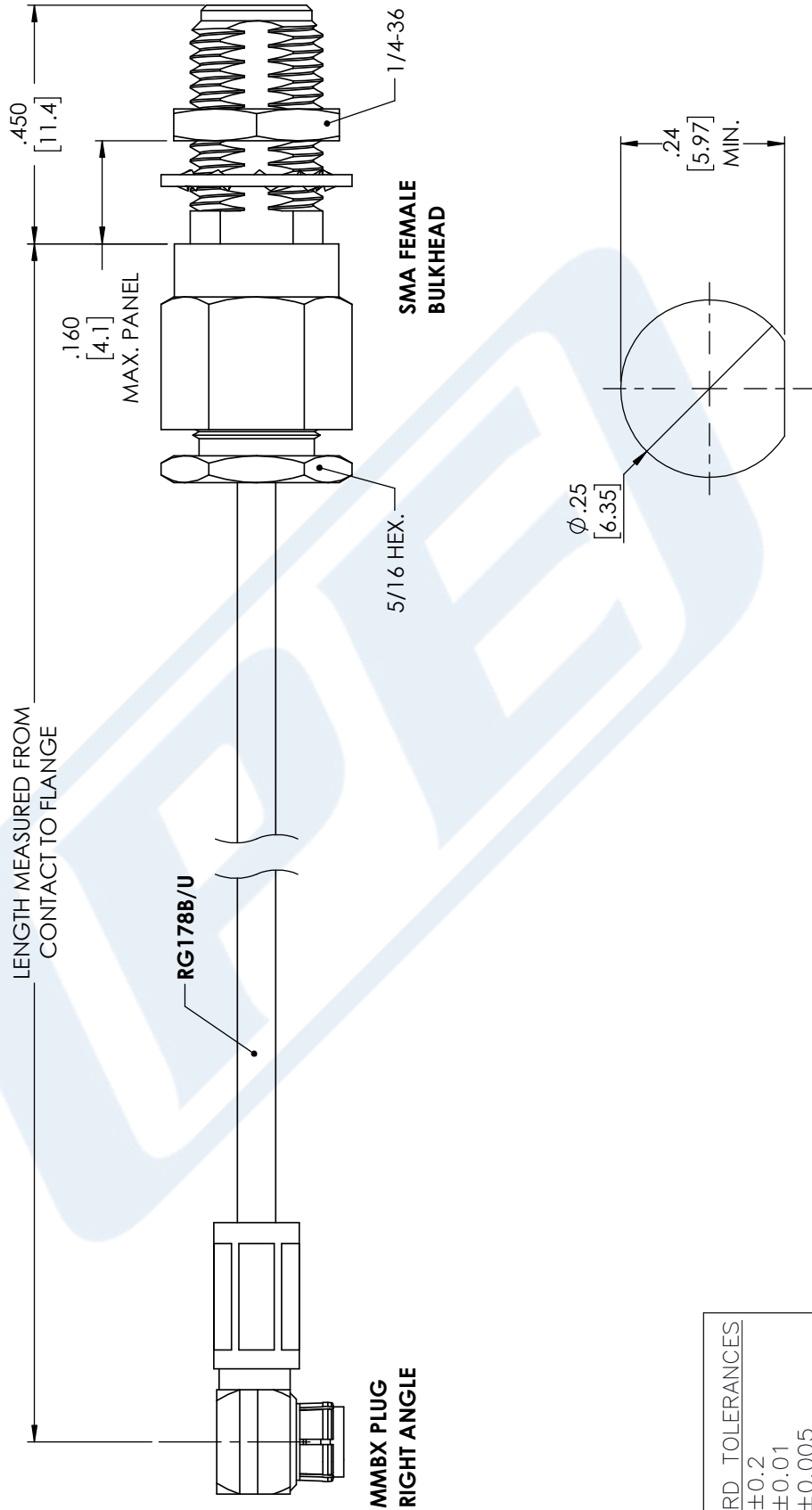
Snap-On MMBX Plug Right Angle to SMA Female Bulkhead Cable 100 CM Length Using RG178 Coax from Pasternack Enterprises has same day shipment for domestic and International orders. Our RF, microwave and millimeter wave products maintain a 99.4% availability and are part of the broadest selection in the industry.

Click the following link (or enter part number in "SEARCH" on website) to obtain additional part information including price, inventory and certifications: [Snap-On MMBX Plug Right Angle to SMA Female Bulkhead Cable 100 CM Length Using RG178 Coax PE3C4807-100CM](https://www.pasternack.com/mmbx-plug-sma-female-rg178bu-cable-assembly-pe3c4807-100cm-p.aspx)

URL: <https://www.pasternack.com/mmbx-plug-sma-female-rg178bu-cable-assembly-pe3c4807-100cm-p.aspx>

The information contained in this document is accurate to the best of our knowledge and representative of the part described herein. It may be necessary to make modifications to the part and/or the documentation of the part, in order to implement improvements. Pasternack reserves the right to make such changes as required. Unless otherwise stated, all specifications are nominal. Pasternack does not make any representation or warranty regarding the suitability of the part described herein for any particular purpose, and Pasternack does not assume any liability arising out of the use of any part or documentation.

PE3C4807-100CM CAD Drawing
 Snap-On MMBX Plug Right Angle to SMA Female Bulkhead
 Cable 100 CM Length Using RG178 Coax



STANDARD TOLERANCES	
.X	±0.2
.XX	±0.01
.XXX	±0.005

*STANDARD TOLERANCES APPLY ONLY TO DIMENSIONS IN INCHES

MOUNTING HOLE

<p>PE PASTERNAK <small>THE ENGINEER'S RF SOURCE</small> Pasternack Enterprises, Inc. P.O. Box 16759 Irvine CA 92623 Phone: (949) 261-1920 Fax: (949) 261-7451 Website: www.pasternack.com E-Mail: sales@pasternack.com</p>	<p>DWG TITLE PE3C4807</p>	<p>NOTES: 1. UNLESS OTHERWISE SPECIFIED ALL DIMENSIONS ARE NOMINAL. 2. ALL SPECIFICATIONS ARE SUBJECT TO CHANGE WITHOUT NOTICE AT ANY TIME. 3. DIMENSIONS ARE IN INCHES [mm].</p>
	<p>CAGE CODE 53919</p>	<p>CAD FILE 09/20/18</p>
		<p>SIZE A</p>
		<p>CN2245</p>