



Snap-On MMBX Plug Right Angle to TNC Female Bulkhead Cable 8 Inch Length Using RG316-DS Coax

RF Cable Assemblies Technical Data Sheet

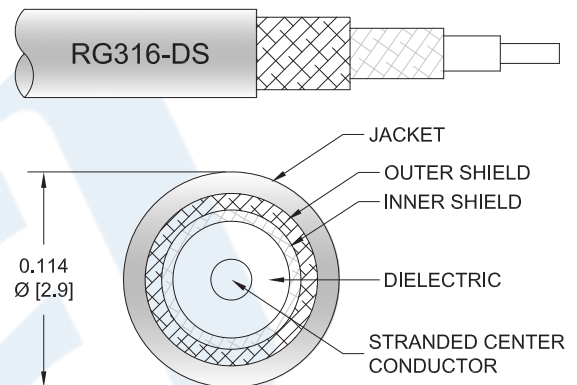
PE3C4059-8

Configuration

- Connector 1: Snap-On MMBX Plug Right Angle
- Connector 2: TNC Female Bulkhead
- Cable Type: RG316-DS

Features

- Max. Operating Frequency of 3 GHz
- Snap-On mating
- Low Profile Right Angle Configurations
- SMA Bulkhead, N Bulkhead and TNC Bulkhead Between-Series Configurations



Applications

- General Purpose Test
- PCB Probing
- PCB Testing
- PCB-to-Panel

Description

Pasternack's MMBX cable assemblies are part of our full line of RF components available for same-day shipping. These MMBX cable assemblies are designed to connect MMBX system components or test connections, delivering signal frequencies as high as 3 GHz. Our family of MMBX cables can also be used to connect from PCB to panel, offering between series MMBX options with SMA Bulkhead, TNC Bulkhead and N Bulkhead assembly configurations. If none of our standard options fit your application, you can specify your own custom MMBX cable assembly using Pasternack's online Cable Creator.

Our MMBX cable assembly datasheet specifications and drawing with dimensions are shown below in this PDF. Pasternack's broad catalog of RF, microwave and millimeter wave cable assemblies allow designers to configure and customize their signal connections however they like. Whether the need is to provide an I/O for a board design, or simply create a custom cable assembly configuration, Pasternack has the right cable assemblies for the job. Pasternack can also expertly build your custom cable assemblies for you and ship same day.

Electrical Specifications

Description	Minimum	Typical	Maximum	Units
Frequency Range	DC		3	GHz
VSWR			1.4:1	
Return Loss		-15.56		dB
Insertion Loss			0.52	dB
Velocity of Propagation		70		%
Capacitance		29.4 [96.46]		pF/ft [pF/m]

Click the following link (or enter part number in "SEARCH" on website) to obtain additional part information including price, inventory and certifications: [Snap-On MMBX Plug Right Angle to TNC Female Bulkhead Cable 8 Inch Length Using RG316-DS Coax PE3C4059-8](#)



Snap-On MMBX Plug Right Angle to TNC Female
 Bulkhead Cable 8 Inch Length Using RG316-DS Coax

RF Cable Assemblies Technical Data Sheet

PE3C4059-8

Specifications by Frequency

Description	F1	F2	F3	F4	F5	Units
Frequency	0.1	0.25	0.5	1	3	GHz
Insertion Loss (Max.)	0.26	0.29	0.33	0.38	0.52	dB

Mechanical Specifications

Cable Assembly

Length* 8 in [203.2 mm]
 Diameter 0.689 in [17.5 mm]

Cable

Cable Type RG316-DS
 Impedance 50 Ohms
 Inner Conductor Type Stranded
 Inner Conductor Material and Plating Copper Clad Steel, Silver
 Dielectric Type PTFE
 Number of Shields 2
 Shield Layer 1 Silver Plated Copper Braid
 Shield Layer 2 Silver Plated Copper Braid
 Jacket Material FEP, Tan
 Jacket Diameter 0.114 in [2.9 mm]
 Repeated Minimum Bend Radius 0.6 in [15.24 mm]

Click the following link (or enter part number in "SEARCH" on website) to obtain additional part information including price, inventory and certifications: [Snap-On MMBX Plug Right Angle to TNC Female Bulkhead Cable 8 Inch Length Using RG316-DS Coax PE3C4059-8](#)





Snap-On MMBX Plug Right Angle to TNC Female Bulkhead Cable 8 Inch Length Using RG316-DS Coax

RF Cable Assemblies Technical Data Sheet

PE3C4059-8

Connectors

Description	Connector 1	Connector 2
Type	MMBX Plug Right Angle	TNC Female Bulkhead
Specification		MIL-STD-348A
Impedance	50 Ohms	50 Ohms
Connection Method	Snap-On	
Mating Cycles	100	
Contact Material and Plating	Beryllium Copper, Gold	Brass, Gold
Contact Plating Specification		30μ in. minimum
Dielectric Type	PTFE	Teflon
Outer Conductor Material and Plating	Brass, Gold	
Body Material and Plating	Brass, Gold	Brass, Nickel
Body Plating Specification		100μ in. minimum

Mechanical Specification Notes:

*All cable assemblies have a length tolerance of 1.5% or ± 3/8", whichever is greater.

Environmental Specifications

Temperature

Operating Range -55 to +155 deg C

Compliance Certifications (see [product page](#) for current document)

Plotted and Other Data

Notes:

Click the following link (or enter part number in "SEARCH" on website) to obtain additional part information including price, inventory and certifications: [Snap-On MMBX Plug Right Angle to TNC Female Bulkhead Cable 8 Inch Length Using RG316-DS Coax PE3C4059-8](#)



Snap-On MMBX Plug Right Angle to TNC Female Bulkhead Cable 8 Inch Length Using RG316-DS Coax

RF Cable Assemblies Technical Data Sheet

PE3C4059-8

How to Order

Part Number Configuration:

PE3C4059

- **xx**

uu

Unit of Measure:
 cm = Centimeters
 <blank> = Inches
 Length
 Base Number

Example: PE3C4059-12 = 12 inches long cable
 PE3C4059-100cm = 100 cm long cable

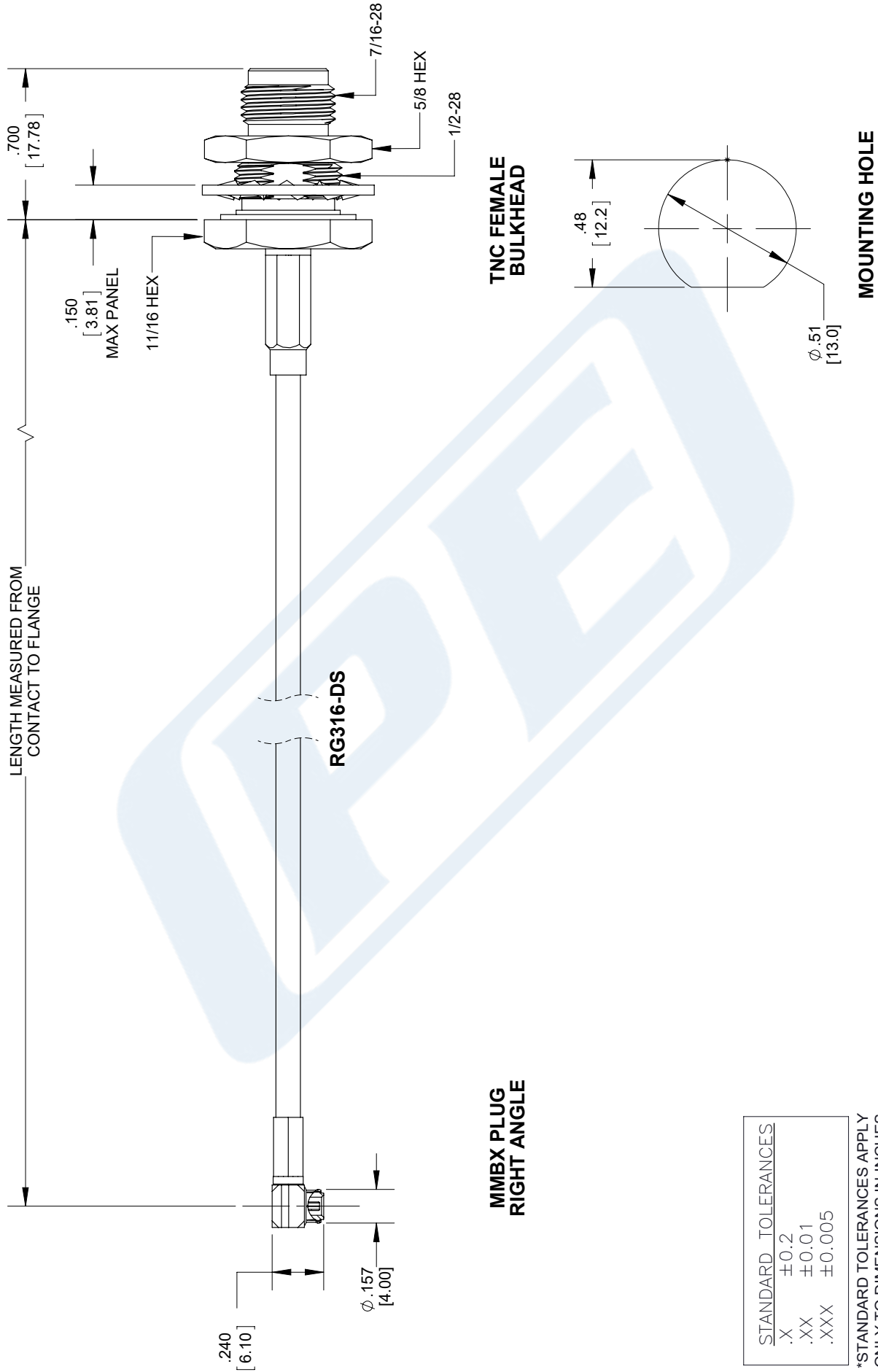
Snap-On MMBX Plug Right Angle to TNC Female Bulkhead Cable 8 Inch Length Using RG316-DS Coax from Pasternack Enterprises has same day shipment for domestic and International orders. Our RF, microwave and millimeter wave products maintain a 99.4% availability and are part of the broadest selection in the industry.

Click the following link (or enter part number in "SEARCH" on website) to obtain additional part information including price, inventory and certifications: [Snap-On MMBX Plug Right Angle to TNC Female Bulkhead Cable 8 Inch Length Using RG316-DS Coax PE3C4059-8](https://www.pasternack.com/mmbx-plug-tnc-female-rg316-ds-cable-assembly-pe3c4059-8-p.aspx)

URL: <https://www.pasternack.com/mmbx-plug-tnc-female-rg316-ds-cable-assembly-pe3c4059-8-p.aspx>

The information contained in this document is accurate to the best of our knowledge and representative of the part described herein. It may be necessary to make modifications to the part and/or the documentation of the part, in order to implement improvements. Pasternack reserves the right to make such changes as required. Unless otherwise stated, all specifications are nominal. Pasternack does not make any representation or warranty regarding the suitability of the part described herein for any particular purpose, and Pasternack does not assume any liability arising out of the use of any part or documentation.

PE3C4059-8 CAD Drawing
 Snap-On MMBX Plug Right Angle to TNC Female Bulkhead
 Cable 8 Inch Length Using RG316-DS Coax



DWG TITLE
 PE3C4059

CAGE CODE 53919

SCALE N/A

SIZE A

9999

CAD FILE 052217

PE PASTERNAK®
 THE ENGINEER'S RF SOURCE
 Pasternack Enterprises, Inc.
 P.O. Box 16759 | Irvine | CA | 92623
 Phone: (949) 261-1920 | Fax: (949) 261-7451
 Website: www.pasternack.com | E-Mail: sales@pasternack.com