



## BNC Male to BNC Female Bulkhead Cable 12 Inch Length Using RG174 Coax

### RF Cable Assemblies Technical Data Sheet

PE3C3397-12

#### Configuration

- Connector 1: BNC Male
- Connector 2: BNC Female Bulkhead
- Cable Type: RG174

#### Electrical Specifications

| Description             | Minimum | Typical       | Maximum | Units        |
|-------------------------|---------|---------------|---------|--------------|
| Frequency Range         | DC      |               | 1,000   | MHz          |
| VSWR                    |         |               | 1.4:1   |              |
| Velocity of Propagation |         | 66            |         | %            |
| Capacitance             |         | 31.1 [102.03] |         | pF/ft [pF/m] |

#### Specifications by Frequency

| Description           | F1    | F2     | F3     | F4     | F5     | Units |
|-----------------------|-------|--------|--------|--------|--------|-------|
| Frequency             | 50    | 100    | 250    | 500    | 1,000  | MHz   |
| Insertion Loss (Max.) | 0.24  | 0.28   | 0.34   | 0.41   | 0.52   | dB    |
| Insertion Loss (Typ.) | 0.242 | 0.284  | 0.337  | 0.412  | 0.52   | dB    |
| VSWR (Max.)           | 1.4:1 | 1.4:1  | 1.4:1  | 1.4:1  | 1.4:1  |       |
| Return Loss (Max.)    | 15.56 | 15.563 | 15.563 | 15.563 | 15.563 | dB    |

#### Mechanical Specifications

##### Cable Assembly

|          |                    |
|----------|--------------------|
| Length*  | 12 in [304.8 mm]   |
| Diameter | 0.689 in [17.5 mm] |

##### Cable

|                                      |                           |
|--------------------------------------|---------------------------|
| Cable Type                           | RG174                     |
| Impedance                            | 50 Ohms                   |
| Inner Conductor Type                 | Stranded                  |
| Inner Conductor Material and Plating | Copper Clad Steel, Silver |
| Dielectric Type                      | PE (LD)                   |
| Number of Shields                    | 1                         |

Click the following link (or enter part number in "SEARCH" on website) to obtain additional part information including price, inventory and certifications: [BNC Male to BNC Female Bulkhead Cable 12 Inch Length Using RG174 Coax PE3C3397-12](#)



## BNC Male to BNC Female Bulkhead Cable 12 Inch Length Using RG174 Coax

### RF Cable Assemblies Technical Data Sheet

PE3C3397-12

|                 |                     |
|-----------------|---------------------|
| Shield Layer 1  | Tinned Copper Braid |
| Jacket Material | PVC, Black          |
| Jacket Diameter | 0.11 in [2.79 mm]   |

#### Connectors

| Description                        | Connector 1      | Connector 2         |
|------------------------------------|------------------|---------------------|
| Type                               | BNC Male         | BNC Female Bulkhead |
| Specification                      | MIL-STD-348A     |                     |
| Impedance                          | 50 Ohms          | 50 Ohms             |
| Contact Material and Plating       | Brass, Gold      | Brass, Gold         |
| Contact Plating Specification      | 50µ in. minimum  | 30 µin minimum      |
| Dielectric Type                    | Teflon           | PTFE                |
| Body Material and Plating          | Brass, Nickel    | Brass, Nickel       |
| Body Plating Specification         | 100µ in. minimum | 100 µin minimum     |
| Coupling Nut Material and Plating  | Brass, Nickel    |                     |
| Coupling Nut Plating Specification | 100µ in. minimum |                     |

#### Mechanical Specification Notes:

\*All cable assemblies have a length tolerance of 1.5% or  $\pm 3/8"$ , whichever is greater.

#### Environmental Specifications

##### Temperature

Operating Range -40 to +80 deg C

#### Compliance Certifications (see [product page](#) for current document)

#### Plotted and Other Data

##### Notes:

- Values at 25°C, sea level.

Click the following link (or enter part number in "SEARCH" on website) to obtain additional part information including price, inventory and certifications: [BNC Male to BNC Female Bulkhead Cable 12 Inch Length Using RG174 Coax PE3C3397-12](#)



BNC Male to BNC Female Bulkhead Cable  
12 Inch Length Using RG174 Coax

RF Cable Assemblies Technical Data Sheet

PE3C3397-12

**How to Order**

Part Number Configuration:

**PE3C3397**

- **xx**

**uu**

Unit of Measure:  
cm = Centimeters  
<blank> = Inches  
Length  
Base Number

Example: PE3C3397-12 = 12 inches long cable  
PE3C3397-100cm = 100 cm long cable

BNC Male to BNC Female Bulkhead Cable 12 Inch Length Using RG174 Coax from Pasternack Enterprises has same day shipment for domestic and International orders. Our RF, microwave and millimeter wave products maintain a 99.4% availability and are part of the broadest selection in the industry.

Click the following link (or enter part number in "SEARCH" on website) to obtain additional part information including price, inventory and certifications: [BNC Male to BNC Female Bulkhead Cable 12 Inch Length Using RG174 Coax PE3C3397-12](https://www.pasternack.com/bnc-male-bnc-female-rg174au-cable-assembly-pe3c3397-12-p.aspx)

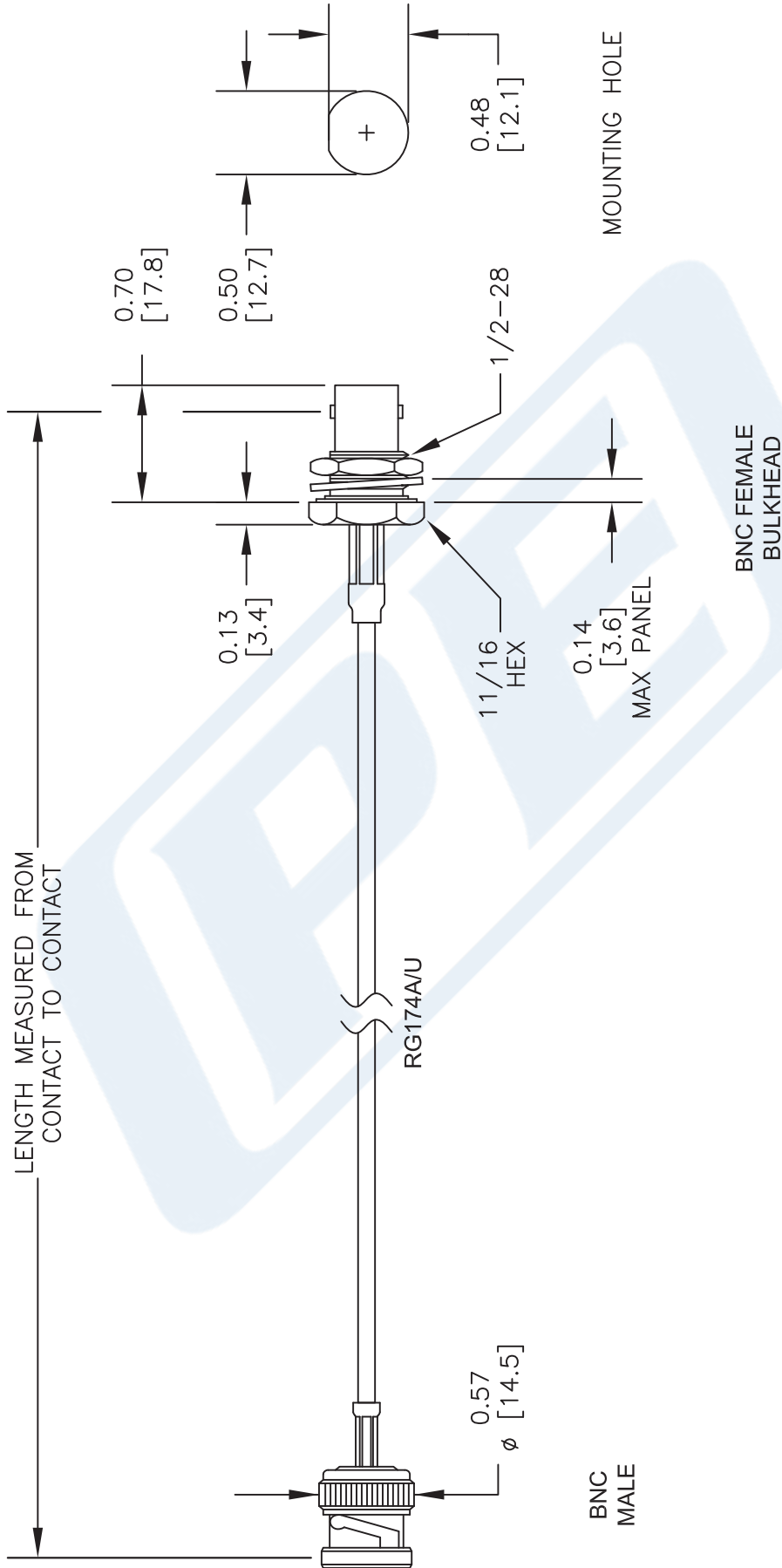
URL: <https://www.pasternack.com/bnc-male-bnc-female-rg174au-cable-assembly-pe3c3397-12-p.aspx>

The information contained in this document is accurate to the best of our knowledge and representative of the part described herein. It may be necessary to make modifications to the part and/or the documentation of the part, in order to implement improvements. Pasternack reserves the right to make such changes as required. Unless otherwise stated, all specifications are nominal. Pasternack does not make any representation or warranty regarding the suitability of the part described herein for any particular purpose, and Pasternack does not assume any liability arising out of the use of any part or documentation.



# PE3C3397-12 CAD Drawing

BNC Male to BNC Female Bulkhead Cable 12 Inch Length Using RG174 Coax



DWG TITLE

**PE3C3397**

NOTES:  
 1. UNLESS OTHERWISE SPECIFIED ALL DIMENSIONS ARE NOMINAL.  
 2. ALL SPECIFICATIONS ARE SUBJECT TO CHANGE WITHOUT NOTICE AT ANY TIME.  
 3. DIMENSIONS ARE IN INCHES [mm].  
 4. LENGTH TOLERANCE IS  $\pm 1.5\%$  OR  $3/8"$ , WHICHEVER IS GREATER.

FSCM NO. 53919

CAD FILE 092616

SCALE N/A

SIZE A

2233

**PE PASTERNAK®**  
 THE ENGINEER'S RF SOURCE

Pasternack Enterprises, Inc.  
 P.O. Box 16759 | Irvine | CA | 92623  
 Phone: (949) 261-1920 | Fax: (949) 261-7451  
 Website: www.pasternack.com | E-Mail: sales@pasternack.com