



BNC Male Right Angle to BNC Female Bulkhead Cable 50 CM Length Using RG400 Coax

RF Cable Assemblies Technical Data Sheet

PE3C3314-50CM

Configuration

- Connector 1: BNC Male Right Angle
- Connector 2: BNC Female Bulkhead
- Cable Type: RG400

Features

- Max Frequency 1 GHz
- 69.5% Phase Velocity
- Double Shielded
- FEP Jacket

Applications

- General Purpose
- Laboratory Use

Description

Pasternack's PE3C3314-50CM BNC male right angle to BNC female bulkhead 50 cm cable using RG400 coax is part of our full line of RF components available for same-day shipping. Pasternack's flexible RF cable assemblies are ideal for applications where tight bends and flexure are required. This Pasternack BNC to BNC cable assembly has a male to female gender configuration with 50 ohm flexible RG400 coax. The PE3C3314-50CM BNC male to BNC female cable assembly operates to 1 GHz. The right angle BNC interface on the RG400 cable allows for easier connections in tight spaces. Our RF cable assembly with BNC bulkhead interface allows designers to create external connections on their product enclosures, and can be used in a variety of other rack mount and panel mount applications. The double shielding of this Pasternack cable assembly provides excellent shielding effectiveness.

Custom versions of most RF cable assemblies can be built and shipped same day. Custom cable assembly lengths can be obtained by specifying the desired length on the web site at time of order or by contacting a sales representative. Other available RF cable assembly value added services include connector orientation or clocking, heat shrink booting and custom labeling. RF testing can also be performed to document the electrical performance of your cable assembly.

Electrical Specifications

Description	Minimum	Typical	Maximum	Units
Frequency Range	DC		1,000	MHz
VSWR			1.65:1	
Velocity of Propagation		69.5		%
Capacitance		32 [104.99]		pF/ft [pF/m]
Operating Voltage (AC)			500	Vrms

Click the following link (or enter part number in "SEARCH" on website) to obtain additional part information including price, inventory and certifications: [BNC Male Right Angle to BNC Female Bulkhead Cable 50 CM Length Using RG400 Coax PE3C3314-50CM](#)



BNC Male Right Angle to BNC Female Bulkhead
Cable 50 CM Length Using RG400 Coax

RF Cable Assemblies Technical Data Sheet

PE3C3314-50CM

Specifications by Frequency

Description	F1	F2	F3	F4	F5	Units
Frequency	100	250	500	1,000		MHz
Insertion Loss (Max.)	0.37	0.4	0.45	0.54		dB

Electrical Specification Notes:

The Insertion Loss data above is based on the performance specifications of the coax used in this assembly. The Insertion Loss includes an estimated insertion loss of 0.3dB of connector loss.

Mechanical Specifications

Cable Assembly

Length* 19.69 in [500.13 mm]
Diameter 1.102 in [27.99 mm]

Cable

Cable Type RG400
Impedance 50 Ohms
Inner Conductor Type Stranded
Inner Conductor Material and Plating Copper, Silver
Dielectric Type PTFE
Number of Shields 2
Shield Layer 1 Silver Plated Copper Braid
Shield Layer 2 Silver Plated Copper Braid
Jacket Material FEP, Tan
Jacket Diameter 0.195 in [4.95 mm]

One Time Minimum Bend Radius 1 in [25.4 mm]

Click the following link (or enter part number in "SEARCH" on website) to obtain additional part information including price, inventory and certifications: [BNC Male Right Angle to BNC Female Bulkhead Cable 50 CM Length Using RG400 Coax PE3C3314-50CM](#)



BNC Male Right Angle to BNC Female Bulkhead
Cable 50 CM Length Using RG400 Coax

RF Cable Assemblies Technical Data Sheet

PE3C3314-50CM

Connectors

Description	Connector 1	Connector 2
Type	BNC Male Right Angle	BNC Female Bulkhead
Specification	MIL-STD-348A	MIL-STD-348A
Impedance	50 Ohms	50 Ohms
Contact Material and Plating	Brass, Gold	Brass, Gold
Contact Plating Specification	30µ in. minimum	30µ in. minimum
Dielectric Type	Teflon	Teflon
Body Material and Plating	Brass, Nickel	Brass, Nickel
Body Plating Specification	100µ in. minimum	100µ in. minimum
Coupling Nut Material and Plating	Brass, Nickel	
Coupling Nut Plating Specification	100µ in. minimum	

Mechanical Specification Notes:

*All cable assemblies have a length tolerance of 1.5% or ± 3/8", whichever is greater.

Environmental Specifications

Temperature

Operating Range -55 to +165 deg C

Compliance Certifications (see [product page](#) for current document)

Plotted and Other Data

Notes:

Click the following link (or enter part number in "SEARCH" on website) to obtain additional part information including price, inventory and certifications: [BNC Male Right Angle to BNC Female Bulkhead Cable 50 CM Length Using RG400 Coax PE3C3314-50CM](#)

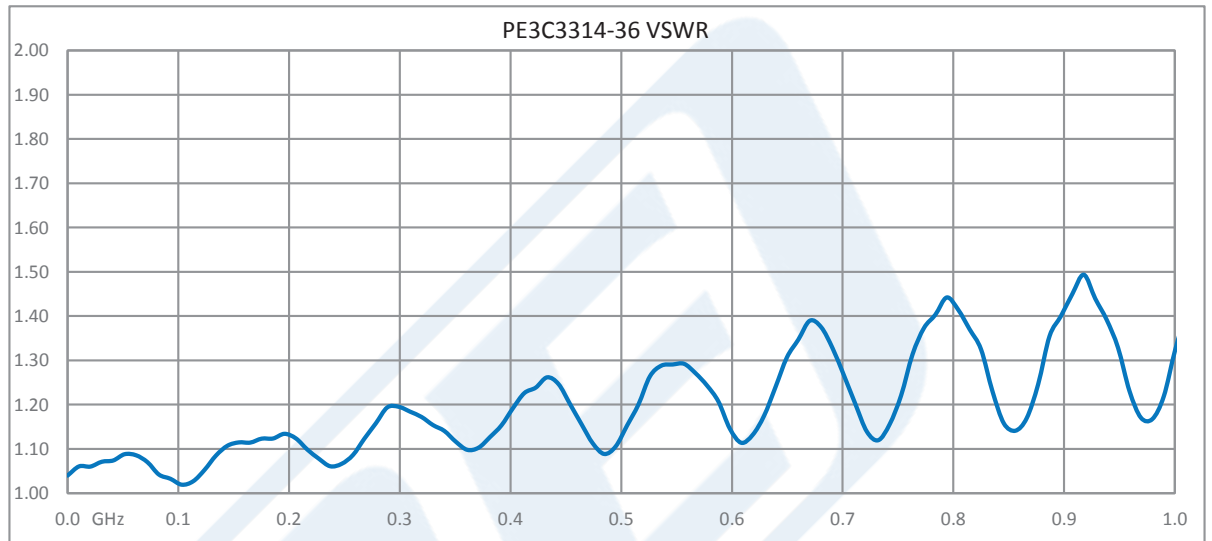


BNC Male Right Angle to BNC Female Bulkhead
Cable 50 CM Length Using RG400 Coax

RF Cable Assemblies Technical Data Sheet

PE3C3314-50CM

Typical Performance Data



Click the following link (or enter part number in "SEARCH" on website) to obtain additional part information including price, inventory and certifications: [BNC Male Right Angle to BNC Female Bulkhead Cable 50 CM Length Using RG400 Coax PE3C3314-50CM](#)



BNC Male Right Angle to BNC Female Bulkhead
Cable 50 CM Length Using RG400 Coax

RF Cable Assemblies Technical Data Sheet

PE3C3314-50CM

How to Order

Part Number Configuration:

PE3C3314

- **xx**

uu

Unit of Measure:
cm = Centimeters
<blank> = Inches
Length
Base Number

Example: PE3C3314-12 = 12 inches long cable
PE3C3314-100cm = 100 cm long cable

BNC Male Right Angle to BNC Female Bulkhead Cable 50 CM Length Using RG400 Coax from Pasternack Enterprises has same day shipment for domestic and International orders. Our RF, microwave and millimeter wave products maintain a 99.4% availability and are part of the broadest selection in the industry.

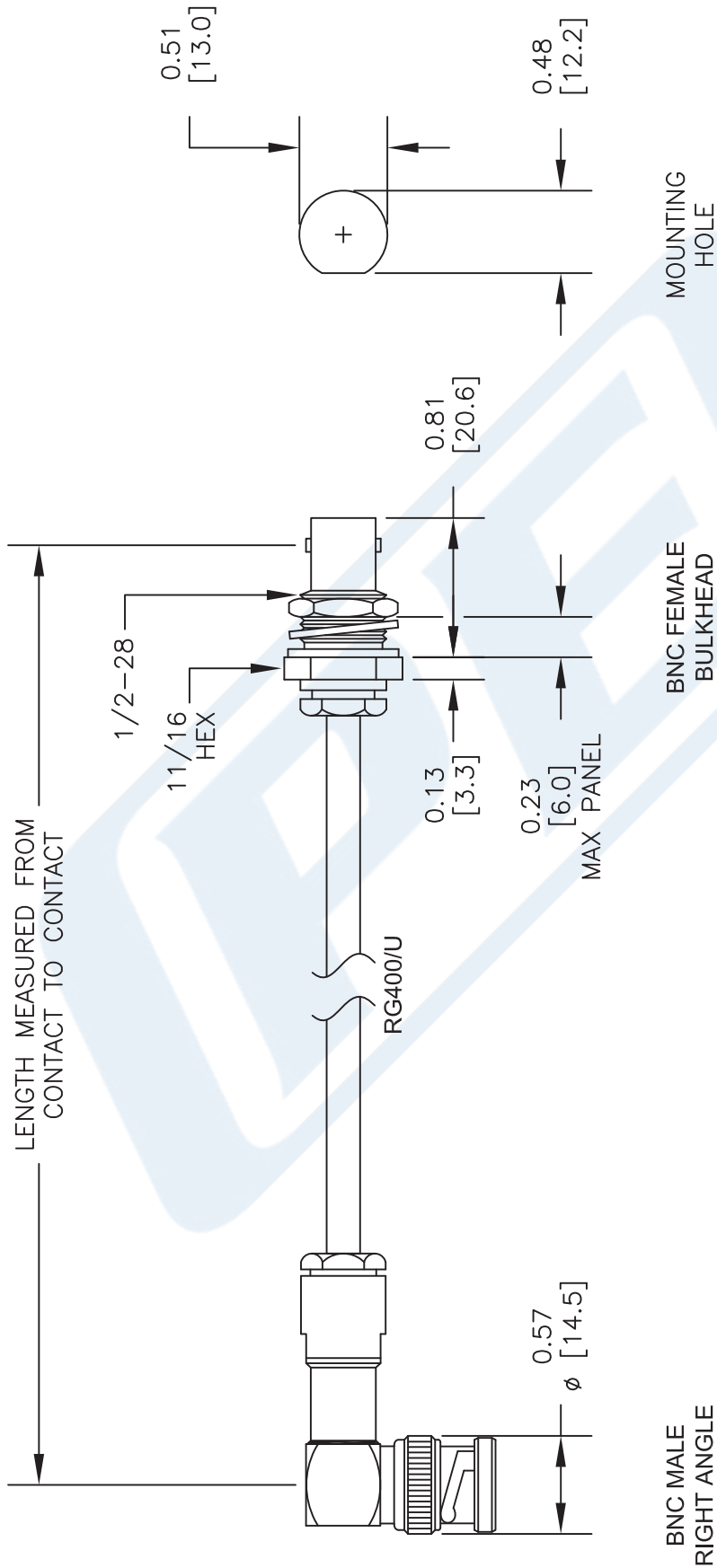
Click the following link (or enter part number in "SEARCH" on website) to obtain additional part information including price, inventory and certifications: [BNC Male Right Angle to BNC Female Bulkhead Cable 50 CM Length Using RG400 Coax PE3C3314-50CM](https://www.pasternack.com/bnc-male-right-angle-to-bnc-female-bulkhead-cable-50-cm-length-using-rg400-coax-pe3c3314-50cm)

URL: <https://www.pasternack.com/bnc-male-bnc-female-rg400u-cable-assembly-pe3c3314-50cm-p.aspx>

The information contained in this document is accurate to the best of our knowledge and representative of the part described herein. It may be necessary to make modifications to the part and/or the documentation of the part, in order to implement improvements. Pasternack reserves the right to make such changes as required. Unless otherwise stated, all specifications are nominal. Pasternack does not make any representation or warranty regarding the suitability of the part described herein for any particular purpose, and Pasternack does not assume any liability arising out of the use of any part or documentation.

PE3C3314-50CM CAD Drawing

BNC Male Right Angle to BNC Female Bulkhead Cable 50 CM Length Using RG400 Coax



DWG TITLE

PE3C3314

- NOTES:
1. UNLESS OTHERWISE SPECIFIED ALL DIMENSIONS ARE NOMINAL.
 2. ALL SPECIFICATIONS ARE SUBJECT TO CHANGE WITHOUT NOTICE AT ANY TIME.
 3. DIMENSIONS ARE IN INCHES [mm].
 4. LENGTH TOLERANCE IS $\pm 1.5\%$ OR $3/8"$, WHICHEVER IS GREATER.

FSCM NO. 53919

CAD FILE 071416

SCALE N/A

SIZE A

2233



Pasternack Enterprises, Inc.
 P.O. Box 16759 | Irvine | CA | 92623
 Phone: (949) 261-1920 | Fax: (949) 261-7451
 Website: www.pasternack.com | E-Mail: sales@pasternack.com