



## N Male Right Angle to BNC Male Right Angle Low Loss Cable 12 Inch Length Using LMR-240-UF Coax

### RF Cable Assemblies Technical Data Sheet

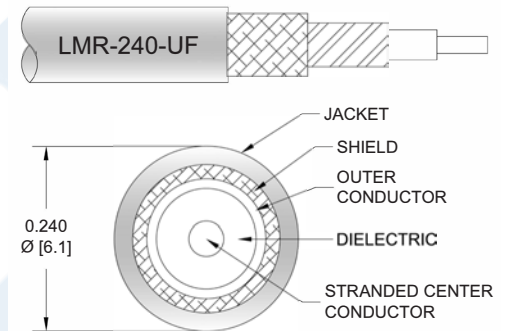
PE3C1316-12

#### Configuration

- Connector 1: N Male Right Angle
- Connector 2: BNC Male Right Angle
- Cable Type: LMR-240-UF

#### Features

- Max Frequency 5.8 GHz
- Shielding Effectivity > 90 dB
- 84% Phase Velocity
- Double Shielded
- TPE Jacket
- Ultra Flexible Coax with Stranded Center Conductor



#### Applications

- General Purpose
- Laboratory Use

#### Description

Pasternack's PE3C1316-12 type N male right angle to BNC male right angle 12 inch cable using LMR-240-UF coax is part of our full line of RF components available for same-day shipping. Pasternack's flexible RF cable assemblies are ideal for applications where tight bends and flexure are required. This Pasternack type N to BNC cable assembly has a male to male gender configuration with 50 ohm flexible LMR-240-UF coax. The PE3C1316-12 type N male to BNC male cable assembly operates to 5.8 GHz. The right angle type N and right angle BNC interfaces on the LMR-240-UF cable allow for easier connections in tight spaces. The double shielding of this Pasternack cable assembly provides excellent shielding effectiveness of better than 90 dB.

Custom versions of most RF cable assemblies can be built and shipped same day. Custom cable assembly lengths can be obtained by specifying the desired length on the web site at time of order or by contacting a sales representative. Other available RF cable assembly value added services include connector orientation or clocking, heat shrink booting and custom labeling. RF testing can also be performed to document the electrical performance of your cable assembly.

Click the following link (or enter part number in "SEARCH" on website) to obtain additional part information including price, inventory and certifications: [N Male Right Angle to BNC Male Right Angle Low Loss Cable 12 Inch Length Using LMR-240-UF Coax PE3C1316-12](#)



N Male Right Angle to BNC Male Right Angle Low Loss  
Cable 12 Inch Length Using LMR-240-UF Coax

RF Cable Assemblies Technical Data Sheet

PE3C1316-12

**Electrical Specifications**

Description	Minimum	Typical	Maximum	Units
Frequency Range	DC		5.8	GHz
Velocity of Propagation		84		%
RF Shielding	90			dB
Group Delay		1.21 [3.97]		ns/ft [ns/m]
Capacitance		24.2 [79.4]		pF/ft [pF/m]
Inductance		0.06 [0.2]		uH/ft [uH/m]
DC Resistance Inner Conductor		4.28 [14.04]		$\Omega$ /1000ft [ $\Omega$ /Km]
DC Resistance Outer Conductor		3.89 [12.76]		$\Omega$ /1000ft [ $\Omega$ /Km]
Jacket Spark			5,000	Vrms

**Specifications by Frequency**

Description	F1	F2	F3	F4	F5	Units
Frequency	0.25	0.5	1	2.5	5.8	GHz
Insertion Loss (Typ.)	0.46	0.48	0.52	0.6	0.71	dB

Electrical Specification Notes:

The Insertion Loss data above is based on the performance specifications of the coax cable and connectors used in this assembly. The Insertion Loss includes an estimated insertion loss of 0.2 dB per connector

**Mechanical Specifications**

**Cable Assembly**

Length\* 12 in [304.8 mm]  
Diameter 0.83 in [21.08 mm]

**Cable**

Cable Type LMR-240-UF  
Impedance 50 Ohms  
Inner Conductor Type Stranded  
Inner Conductor Material and Plating Copper  
Dielectric Type PE (F)  
Number of Shields 2  
Shield Layer 1 Aluminum Tape  
Shield Layer 2 Tinned Copper Braid  
Jacket Material TPE, Black  
Jacket Diameter 0.24 in [6.1 mm]

One Time Minimum Bend Radius 0.75 in [19.05 mm]

Click the following link (or enter part number in "SEARCH" on website) to obtain additional part information including price, inventory and certifications: [N Male Right Angle to BNC Male Right Angle Low Loss Cable 12 Inch Length Using LMR-240-UF Coax PE3C1316-12](#)



N Male Right Angle to BNC Male Right Angle Low Loss  
Cable 12 Inch Length Using LMR-240-UF Coax

RF Cable Assemblies Technical Data Sheet

PE3C1316-12

Repeated Minimum Bend Radius	2.5 in [63.5 mm]
Bending Moment	0.13 lbs-ft [0.18 N-m]
Flat Plate Crush	13 lbs/in [0.23 Kg/mm]
Tensile Strength	80 lbs [36.29 Kg]

**Connectors**

Description	Connector 1	Connector 2
Type	N Male Right Angle	BNC Male Right Angle
Impedance	50 Ohms	50 Ohms
Contact Material and Plating	Brass, Gold	Brass, Gold
Dielectric Type	PTFE	PTFE
Body Material and Plating	Brass, Tri-Metal	Brass, Nickel
Coupling Nut Material and Plating		Brass, Nickel

**Environmental Specifications**

**Temperature**

Operating Range	-40 to +85 deg C
Storage Range	-70 to +85 deg C

**Compliance Certifications** (see [product page](#) for current document)

**Plotted and Other Data**

Notes:

Click the following link (or enter part number in "SEARCH" on website) to obtain additional part information including price, inventory and certifications: [N Male Right Angle to BNC Male Right Angle Low Loss Cable 12 Inch Length Using LMR-240-UF Coax PE3C1316-12](#)



N Male Right Angle to BNC Male Right Angle Low Loss  
Cable 12 Inch Length Using LMR-240-UF Coax

RF Cable Assemblies Technical Data Sheet

PE3C1316-12

**How to Order**

Part Number Configuration:

**PE3C1316**

- **xx**

**uu**

Unit of Measure:  
cm = Centimeters  
<blank> = Inches  
Length  
Base Number

Example: PE3C1316-12 = 12 inches long cable  
PE3C1316-100cm = 100 cm long cable

N Male Right Angle to BNC Male Right Angle Low Loss Cable 12 Inch Length Using LMR-240-UF Coax from Pasternack Enterprises has same day shipment for domestic and International orders. Our RF, microwave and millimeter wave products maintain a 99.4% availability and are part of the broadest selection in the industry.

Click the following link (or enter part number in "SEARCH" on website) to obtain additional part information including price, inventory and certifications: [N Male Right Angle to BNC Male Right Angle Low Loss Cable 12 Inch Length Using LMR-240-UF Coax PE3C1316-12](https://www.pasternack.com/n-male-bnc-male-lmr240uf-cable-assembly-pe3c1316-12-p.aspx)

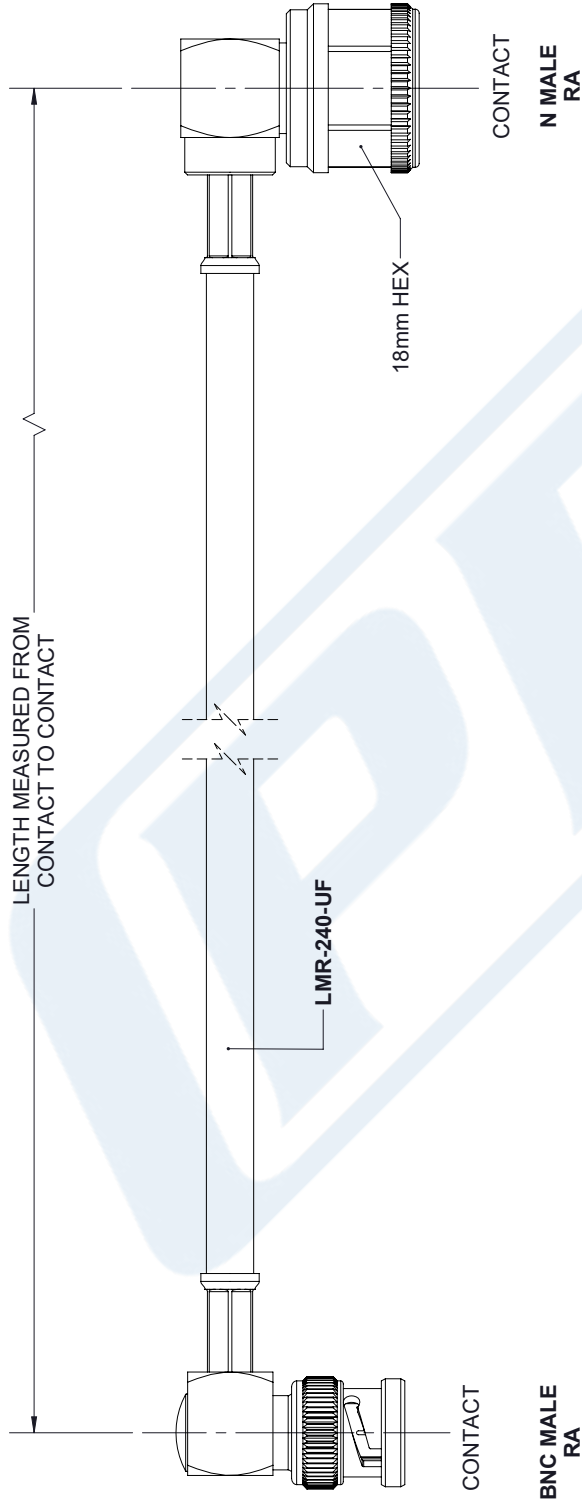
URL: <https://www.pasternack.com/n-male-bnc-male-lmr240uf-cable-assembly-pe3c1316-12-p.aspx>

The information contained in this document is accurate to the best of our knowledge and representative of the part described herein. It may be necessary to make modifications to the part and/or the documentation of the part, in order to implement improvements. Pasternack reserves the right to make such changes as required. Unless otherwise stated, all specifications are nominal. Pasternack does not make any representation or warranty regarding the suitability of the part described herein for any particular purpose, and Pasternack does not assume any liability arising out of the use of any part or documentation.

# PE3C1316-12 CAD Drawing

## N Male Right Angle to BNC Male Right Angle Low Loss Cable 12 Inch Length Using LMR-240-UF Coax

REVISIONS			
REV.	DESCRIPTION	DATE	APPROVED
A	INITIAL RELEASE	3/9/2020	S. ELLIS



<p>UNLESS OTHERWISE SPECIFIED LEADING DIMENSIONS ARE INCHES DIMENSIONS IN [ ] ARE MILLIMETERS</p> <p><b>TOLERANCES:</b></p> <table style="font-size: small;"> <tr> <td>.X = ±.2</td> <td>[5.08]</td> <td>FRACTIONS</td> <td></td> </tr> <tr> <td>.XX = ±.02</td> <td>[.51]</td> <td></td> <td>± 1/32</td> </tr> <tr> <td>.XXX = ±.005</td> <td>[.13]</td> <td>ANGLES ± 1°</td> <td></td> </tr> </table> <p><b>CABLE LENGTH (L) TOLERANCES:</b></p> <table style="font-size: small;"> <tr> <td>L ≤ 12</td> <td>[305]</td> <td>= +1 [25] / -0</td> </tr> <tr> <td>12 [305] &lt; L ≤ 60</td> <td>[1524]</td> <td>= +2 [51] / -0</td> </tr> <tr> <td>60 [1524] &lt; L ≤ 120</td> <td>[3048]</td> <td>= +4 [102] / -0</td> </tr> <tr> <td>120 [3048] &lt; L ≤ 300</td> <td>[7620]</td> <td>= +6 [152] / -0</td> </tr> <tr> <td>300 [7620] &lt; L ≤ ∞</td> <td></td> <td>= +5% / L / -0</td> </tr> </table> <p>ALL DIMENSIONS SHOWN ARE FOR REFERENCE ONLY.</p>	.X = ±.2	[5.08]	FRACTIONS		.XX = ±.02	[.51]		± 1/32	.XXX = ±.005	[.13]	ANGLES ± 1°		L ≤ 12	[305]	= +1 [25] / -0	12 [305] < L ≤ 60	[1524]	= +2 [51] / -0	60 [1524] < L ≤ 120	[3048]	= +4 [102] / -0	120 [3048] < L ≤ 300	[7620]	= +6 [152] / -0	300 [7620] < L ≤ ∞		= +5% / L / -0	<p><b>PASTERNAK</b> an INFINIT® brand</p> <p>Pasternack Enterprises, Inc. P. O. Box 16759, Irvine, CA 92623. Phone: 1.949.261.1920   1.866.727.8376 Fax: 1.949.261.7451 Website: www.pasternack.com E-mail: sales@pasternack.com</p>	<p>THIRD-ANGLE PROJECTION</p> <p>THE INFORMATION AND DESIGN IN THIS DOCUMENT IS THE PROPERTY OF PASTERNAK CORPORATION ALL RIGHTS RESERVED.</p> <p>SHEET 1 OF 1</p> <p>SCALE N/A</p>
.X = ±.2	[5.08]	FRACTIONS																											
.XX = ±.02	[.51]		± 1/32																										
.XXX = ±.005	[.13]	ANGLES ± 1°																											
L ≤ 12	[305]	= +1 [25] / -0																											
12 [305] < L ≤ 60	[1524]	= +2 [51] / -0																											
60 [1524] < L ≤ 120	[3048]	= +4 [102] / -0																											
120 [3048] < L ≤ 300	[7620]	= +6 [152] / -0																											
300 [7620] < L ≤ ∞		= +5% / L / -0																											
SIZE A CAGE CODE A DRAWN BY K.DANG	ITEM NO. PE3C1316	REV A																											

THESE COMMODITIES, TECHNOLOGY OR SOFTWARE WERE EXPORTED FROM THE UNITED STATES IN ACCORDANCE WITH THE EXPORT ADMINISTRATION REGULATIONS. DIVERSION CONTRARY TO U.S. LAW PROHIBITED.