



SMA Male Right Angle to TNC Female Bulkhead Low Loss Cable Using PE-P142LL Coax, RoHS

RF Cable Assemblies Technical Data Sheet

PE3C1173

**Configuration**

- Connector 1: SMA Male Right Angle
- Connector 2: TNC Female Bulkhead
- Cable Type: PE-P142LL

**Features**

- 83% Velocity of Propagation
- Shielding effectiveness > 95 dB
- Maximum VSWR < 1.45:1 to 18 GHz
- Minimum Bend Radius of 1 inch
- Operating Temperature range of -55 to +125°C
- ROHS and REACH Compliant
- Same day shipment of custom lengths
- 100% Continuity, Hi-Pot, and RF tested



**Description**

The PE3C1173 series high performance test cable's 0.195 inch diameter and 83% phase velocity offer very low loss performance up to 18 GHz. The durable stainless steel connectors and FEP jacket provide a cost effective design ideal for test environments where a rugged cable assembly is required. The series is offered with Type N, TNC, and SMA connectors all rated to 18 GHz. A heavy duty boot provides improved strain relief and adds to the durability of the cable assemblies. These cable assemblies are built using a double shielded flexible cable, providing excellent shielding effectiveness of greater than 95 dB. All PE3C1173 cable assemblies are 100% Continuity, Hi-POT, and RF tested to published specifications. Custom lengths are built to order and shipped same day.

**Electrical Specifications**

| Description             | Minimum | Typical    | Maximum | Units        |
|-------------------------|---------|------------|---------|--------------|
| Frequency Range         | DC      |            | 18      | GHz          |
| VSWR                    |         |            | 1.45:1  |              |
| Return Loss             | 14.72   |            |         | dB           |
| Velocity of Propagation |         | 83         |         | %            |
| RF Shielding            | 95      |            |         | dB           |
| Capacitance             |         | 25 [82.02] |         | pF/ft [pF/m] |

Click the following link (or enter part number in "SEARCH" on website) to obtain additional part information including price, inventory and certifications: [SMA Male Right Angle to TNC Female Bulkhead Low Loss Cable Using PE-P142LL Coax, RoHS PE3C1173](#)





SMA Male Right Angle to TNC Female Bulkhead Low Loss Cable Using PE-P142LL Coax, RoHS

RF Cable Assemblies Technical Data Sheet

PE3C1173

Specifications by Frequency

| Description           | F1             | F2             | F3             | F4             | F5             | Units           |
|-----------------------|----------------|----------------|----------------|----------------|----------------|-----------------|
| Frequency             | 1              | 2              | 4.5            | 9              | 18             | GHz             |
| Insertion Loss (Max.) | 0.1<br>[0.33]  | 0.14<br>[0.46] | 0.2<br>[0.66]  | 0.29<br>[0.95] | 0.4<br>[1.31]  | dB/ft<br>[dB/m] |
| Insertion Loss (Typ.) | 0.07<br>[0.23] | 0.1<br>[0.33]  | 0.16<br>[0.52] | 0.23<br>[0.75] | 0.33<br>[1.08] | dB/ft<br>[dB/m] |

Electrical Specification Notes:

Insertion Loss does not include the loss of the connectors. Insertion Loss is estimated as 0.05dB x vFrequency (GHz) per connector.

Mechanical Specifications

Cable Assembly

Diameter 0.63 in [16 mm]  
Weight 0.188 lbs [85.28 g]

Cable

Cable Type PE-P142LL  
Impedance 50 Ohms  
Inner Conductor Type Solid  
Inner Conductor Material and Plating Copper, Silver  
Dielectric Type PTFE  
Number of Shields 3  
Shield Layer 1 Silver Plated Copper Tape  
Shield Layer 2 Aluminum Polyester  
Shield Layer 3 Silver Plated Copper Wire  
Jacket Material FEP, Green  
Jacket Diameter 0.195 in [4.95 mm]  
  
One Time Minimum Bend Radius 1 in [25.4 mm]

Click the following link (or enter part number in "SEARCH" on website) to obtain additional part information including price, inventory and certifications: [SMA Male Right Angle to TNC Female Bulkhead Low Loss Cable Using PE-P142LL Coax, RoHS PE3C1173](#)





## SMA Male Right Angle to TNC Female Bulkhead Low Loss Cable Using PE-P142LL Coax, RoHS

### RF Cable Assemblies Technical Data Sheet

PE3C1173

#### Connectors

| Description                           | Connector 1                | Connector 2                |
|---------------------------------------|----------------------------|----------------------------|
| Type                                  | SMA Male Right Angle       | TNC Female Bulkhead        |
| Specification                         | MIL-PRF-39012              | MIL-STD-348                |
| Impedance                             | 50 Ohms                    | 50 Ohms                    |
| Contact Material and Plating          | Beryllium Copper, Gold     | Beryllium Copper, Gold     |
| Contact Plating Specification         | ASTM-B488, 50µ In. Minimum | ASTM-B488, 50µ In. Minimum |
| Dielectric Type                       | PTFE                       | PEI                        |
| Outer Conductor Material and Plating  | Passivated Stainless Steel | Passivated Stainless Steel |
| Outer Conductor Plating Specification | SAE-AMS-2700               | SAE-AMS-2700               |
| Coupling Nut Material and Plating     | Passivated Stainless Steel |                            |
| Coupling Nut Plating Specification    | SAE-AMS-2700               |                            |
| Hex Size                              | 5/16 Inch                  |                            |
| Torque                                | 8 in-lbs [0.9 Nm]          |                            |
| Body Material and Plating             | Passivated Stainless Steel | Passivated Stainless Steel |
| Body Plating Specification            | SAE-AMS-2700               | SAE-AMS-2700               |

#### Environmental Specifications

##### Temperature

Operating Range -55 to +125 deg C

#### Compliance Certifications (visit [www.Pasternack.com](http://www.Pasternack.com) for current document)

RoHS Compliant Yes  
REACH Compliant 12/17/2015

#### Plotted and Other Data

Notes:

- Values at 25°C, sea level.

Click the following link (or enter part number in "SEARCH" on website) to obtain additional part information including price, inventory and certifications: [SMA Male Right Angle to TNC Female Bulkhead Low Loss Cable Using PE-P142LL Coax, RoHS PE3C1173](#)



## SMA Male Right Angle to TNC Female Bulkhead Low Loss Cable Using PE-P142LL Coax, RoHS

### RF Cable Assemblies Technical Data Sheet

PE3C1173

#### How to Order

Part Number Configuration:

PE3C1173

- xx

uu

Unit of Measure:

cm = Centimeters

<blank> = Inches

Length

Base Number

Example: PE3C1173-12 = 12 inches long cable  
PE3C1173-100cm = 100 cm long cable

SMA Male Right Angle to TNC Female Bulkhead Low Loss Cable Using PE-P142LL Coax, RoHS from Pasternack Enterprises has same day shipment for domestic and International orders. Our RF, microwave and millimeter wave products maintain a 99% availability and are part of the broadest selection in the industry.

Click the following link (or enter part number in "SEARCH" on website) to obtain additional part information including price, inventory and certifications: [SMA Male Right Angle to TNC Female Bulkhead Low Loss Cable Using PE-P142LL Coax, RoHS PE3C1173](https://www.pasternack.com/sma-male-tnc-female-pe-p142ll-cable-assembly-pe3c1173-p.aspx)

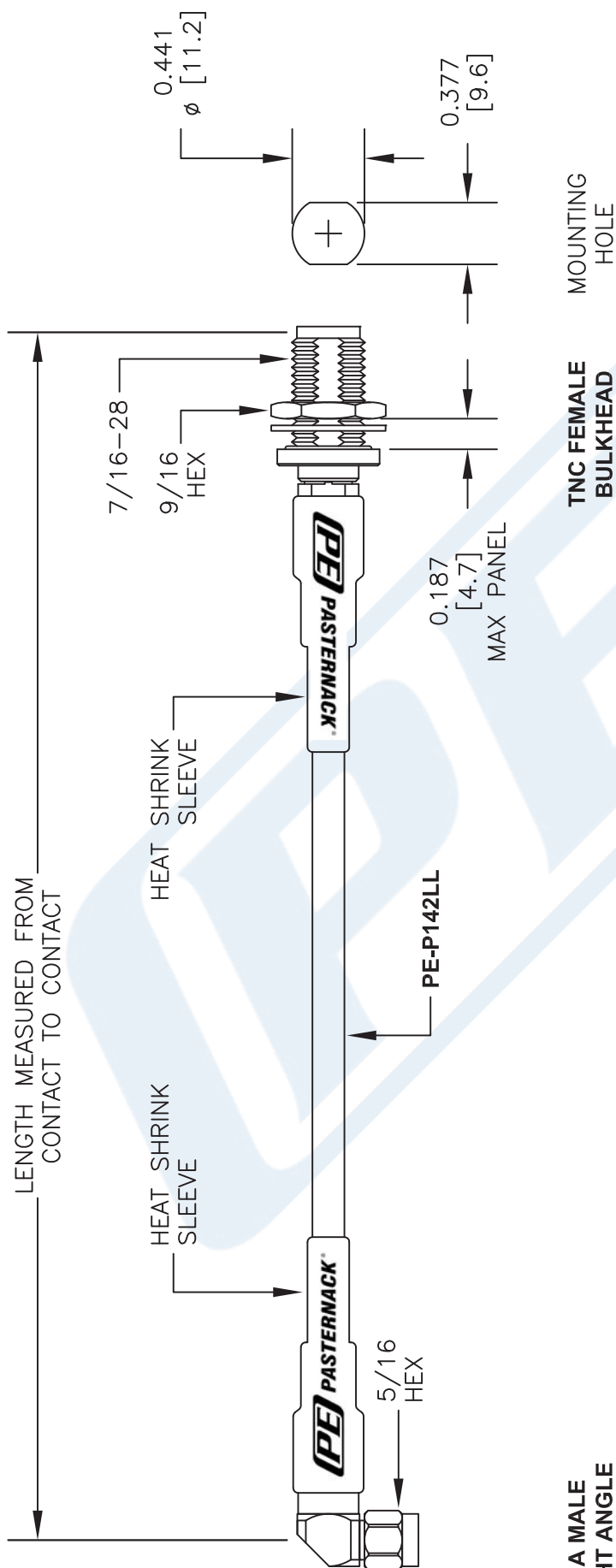
URL: <https://www.pasternack.com/sma-male-tnc-female-pe-p142ll-cable-assembly-pe3c1173-p.aspx>

The information contained in this document is accurate to the best of our knowledge and representative of the part described herein. It may be necessary to make modifications to the part and/or the documentation of the part, in order to implement improvements. Pasternack reserves the right to make such changes as required. Unless otherwise stated, all specifications are nominal. Pasternack does not make any representation or warranty regarding the suitability of the part described herein for any particular purpose, and Pasternack does not assume any liability arising out of the use of any part or documentation.

# PE3C1173 CAD Drawing

SMA Male Right Angle to TNC Female Bulkhead Low

Loss Cable Using PE-P142LL Coax, RoHS



**SMA MALE  
RIGHT ANGLE**

**TNC FEMALE  
BULKHEAD**

**MOUNTING  
HOLE**

| How To Order  |  | Part # Ext. | Length In Inches | Part # Ext. | Length In Centimeters |
|---|--|-------------|------------------|-------------|-----------------------|
| <b>Part Number Configuration</b><br>PE3 [zzz] [yy] - [xx] [uu]<br>00 - 99999<br>LF = RoHS Compliant<br>< Blank > = Standard<br>Note: LF applies only to RF cables |  | -12         | 12"              | -25CM       | 25Cm                  |
| Examples<br>PE3000LF-100<br>PE3000-100<br>PE3000LF-100CM<br>PE3000-100CM  |  | -24         | 24"              | -50CM       | 50Cm                  |
| CM = Centimeters<br>< Blank > = Inches<br>Length  |  | -36         | 36"              | -75CM       | 75Cm                  |
|   |  | -48         | 48"              | -100CM      | 100Cm                 |
|   |  | -60         | 60"              | -125CM      | 125Cm                 |
|   |  | -XX         | Custom Length    | -XXCM       | Custom Length         |

NOTES:  
 1. UNLESS OTHERWISE SPECIFIED ALL DIMENSIONS ARE NOMINAL.  
 2. ALL SPECIFICATIONS ARE SUBJECT TO CHANGE WITHOUT NOTICE AT ANY TIME.  
 3. DIMENSIONS ARE IN INCHES (mm).  
 4. LENGTH TOLERANCE IS ± 1.5% OR 3/8", WHICHEVER IS GREATER.

DWG TITLE  
**PE3C1173**

**PE PASTERNAK®**  
 THE ENGINEER'S RF SOURCE  
 Pasternack Enterprises, Inc.  
 P.O. Box 16759 | Irvine | CA | 92623  
 Phone: (949) 261-1920 | Fax: (949) 261-7451  
 Website: www.pasternack.com | E-Mail: sales@pasternack.com

CAD FILE 082214 SCALE N/A SIZE A 2233

FSCM NO. 53919

FSCM NO. 53919