



2.92mm Male to 2.92mm Male Cable 72 Inch Length Using PE-P086 Coax

RF Cable Assemblies Technical Data Sheet

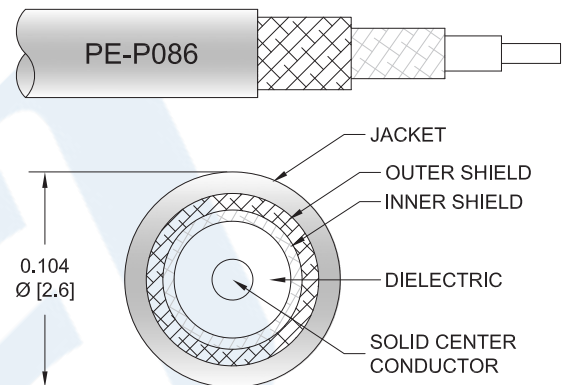
PE3C0666-72

Configuration

- Connector 1: 2.92mm Male
- Connector 2: 2.92mm Male
- Cable Type: PE-P086

Features

- Max Frequency 40 GHz
- Shielding Effectivity > 110 dB
- 70% Phase Velocity
- Double Shielded
- FEP Jacket



Applications

- General Purpose
- Laboratory Use

Description

Pasternack's PE3C0666-72 2.92mm male to 2.92mm male 72 inch cable using PE-P086 coax is part of our full line of RF components available for same-day shipping. Pasternack's flexible RF cable assemblies are ideal for applications where tight bends and flexure are required. This Pasternack 2.92mm to 2.92mm cable assembly has a male to male gender configuration with 50 ohm flexible PE-P086 coax. The PE3C0666-72 2.92mm male to 2.92mm male cable assembly operates to 40 GHz. The double shielding of this Pasternack cable assembly provides excellent shielding effectiveness of better than 110 dB.

Custom versions of most RF cable assemblies can be built and shipped same day. Custom cable assembly lengths can be obtained by specifying the desired length on the web site at time of order or by contacting a sales representative. Other available RF cable assembly value added services include connector orientation or clocking, heat shrink booting and custom labeling. RF testing can also be performed to document the electrical performance of your cable assembly.

Click the following link (or enter part number in "SEARCH" on website) to obtain additional part information including price, inventory and certifications: [2.92mm Male to 2.92mm Male Cable 72 Inch Length Using PE-P086 Coax PE3C0666-72](#)



2.92mm Male to 2.92mm Male Cable 72 Inch Length Using PE-P086 Coax

RF Cable Assemblies Technical Data Sheet

PE3C0666-72

Electrical Specifications

| Description | Minimum | Typical | Maximum | Units |
|-------------------------|---------|--------------|---------|--------------|
| Frequency Range | DC | | 40 | GHz |
| VSWR | | | 1.4:1 | |
| Return Loss | | | -15.56 | dB |
| Velocity of Propagation | | 70 | | % |
| RF Shielding | 110 | | | dB |
| Capacitance | | 29.4 [96.46] | | pF/ft [pF/m] |

Specifications by Frequency

| Description | F1 | F2 | F3 | F4 | F5 | Units |
|-----------------------|-----|------|----|-----|----|-------|
| Frequency | 2.5 | 5 | 10 | 20 | 40 | GHz |
| Insertion Loss (Max.) | 2.3 | 3.32 | 5 | 7.4 | 11 | dB |

Mechanical Specifications

Cable Assembly

| | |
|----------|---------------------|
| Length* | 72 in [182.88 cm] |
| Diameter | 0.312 in [7.92 mm] |
| Weight | 0.104 lbs [47.17 g] |

Cable

| | |
|--------------------------------------|----------------------------|
| Cable Type | PE-P086 |
| Impedance | 50 Ohms |
| Inner Conductor Type | Solid |
| Inner Conductor Material and Plating | Copper Clad Steel, Silver |
| Dielectric Type | PTFE |
| Number of Shields | 2 |
| Shield Layer 1 | Silver Plated Copper Tape |
| Shield Layer 2 | Silver Plated Copper Braid |
| Jacket Material | FEP, Blue |
| Jacket Diameter | 0.104 in [2.64 mm] |
| One Time Minimum Bend Radius | 0.4 in [10.16 mm] |
| Repeated Minimum Bend Radius | 1.57 in [39.88 mm] |

Click the following link (or enter part number in "SEARCH" on website) to obtain additional part information including price, inventory and certifications: [2.92mm Male to 2.92mm Male Cable 72 Inch Length Using PE-P086 Coax PE3C0666-72](#)



2.92mm Male to 2.92mm Male Cable 72 Inch
Length Using PE-P086 Coax

RF Cable Assemblies Technical Data Sheet

PE3C0666-72

Connectors

| Description | Connector 1 | Connector 2 |
|-----------------------------------|----------------------------|----------------------------|
| Type | 2.92mm Male | 2.92mm Male |
| Impedance | 50 Ohms | 50 Ohms |
| Contact Material and Plating | Beryllium Copper, Gold | Beryllium Copper, Gold |
| Dielectric Type | Noryl | Noryl |
| Body Material and Plating | Passivated Stainless Steel | Passivated Stainless Steel |
| Coupling Nut Material and Plating | Passivated Stainless Steel | Passivated Stainless Steel |
| Hex Size | 5/16 Inch | 5/16 Inch |

Mechanical Specification Notes:

*All cable assemblies have a length tolerance of 1.5% or $\pm 3/8$ ", whichever is greater.

Environmental Specifications

Temperature

Operating Range -40 to +105 deg C

Compliance Certifications (see [product page](#) for current document)

Plotted and Other Data

Notes:

- Values at 25°C, sea level.

Click the following link (or enter part number in "SEARCH" on website) to obtain additional part information including price, inventory and certifications: [2.92mm Male to 2.92mm Male Cable 72 Inch Length Using PE-P086 Coax PE3C0666-72](#)



2.92mm Male to 2.92mm Male Cable 72 Inch Length Using PE-P086 Coax

RF Cable Assemblies Technical Data Sheet

PE3C0666-72

How to Order

Part Number Configuration:

PE3C0666

- **xx**

uu

Unit of Measure:
cm = Centimeters
<blank> = Inches
Length
Base Number

Example: PE3C0666-12 = 12 inches long cable
PE3C0666-100cm = 100 cm long cable

2.92mm Male to 2.92mm Male Cable 72 Inch Length Using PE-P086 Coax from Pasternack Enterprises has same day shipment for domestic and International orders. Our RF, microwave and millimeter wave products maintain a 99.4% availability and are part of the broadest selection in the industry.

Click the following link (or enter part number in "SEARCH" on website) to obtain additional part information including price, inventory and certifications: [2.92mm Male to 2.92mm Male Cable 72 Inch Length Using PE-P086 Coax PE3C0666-72](https://www.pasternack.com/2.92mm-male-2.92mm-male-pe-p086-cable-assembly-pe3c0666-72-p.aspx)

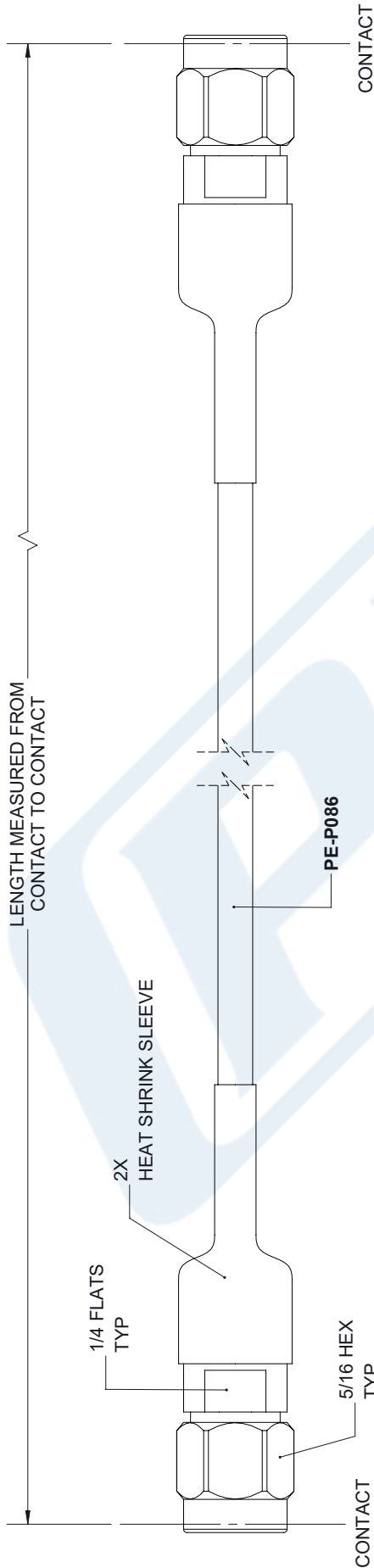
URL: <https://www.pasternack.com/2.92mm-male-2.92mm-male-pe-p086-cable-assembly-pe3c0666-72-p.aspx>

The information contained in this document is accurate to the best of our knowledge and representative of the part described herein. It may be necessary to make modifications to the part and/or the documentation of the part, in order to implement improvements. Pasternack reserves the right to make such changes as required. Unless otherwise stated, all specifications are nominal. Pasternack does not make any representation or warranty regarding the suitability of the part described herein for any particular purpose, and Pasternack does not assume any liability arising out of the use of any part or documentation.

PE3C0666-72 CAD Drawing

2.92mm Male to 2.92mm Male Cable 72 Inch Length Using PE-P086 Coax

| REVISIONS | | | |
|-----------|-----------------|----------|----------|
| REV. | DESCRIPTION | DATE | APPROVED |
| A | INITIAL RELEASE | 10/09/19 | S. ELLIS |



| | | | | | | | | | | | |
|--|--------------------------------------|-------------|-----------|---------|-------|-------|-----------|-------|-------------|---|---|
| <p>UNLESS OTHERWISE SPECIFIED LEADING DIMENSIONS ARE INCHES DIMENSIONS IN [] ARE MILLIMETERS</p> <p>TOLERANCES:</p> <table border="0"> <tr> <td>X±.2</td> <td>[5.08]</td> <td>FRACTIONS</td> </tr> <tr> <td>.XX±.01</td> <td>[.25]</td> <td>±.132</td> </tr> <tr> <td>.XXX±.005</td> <td>[.13]</td> <td>ANGLES ± 1°</td> </tr> </table> <p>ALL DIMENSIONS SHOWN ARE FOR REFERENCE ONLY.</p> <p>THIRD-ANGLE PROJECTION</p> | X±.2 | [5.08] | FRACTIONS | .XX±.01 | [.25] | ±.132 | .XXX±.005 | [.13] | ANGLES ± 1° | <p>(PE) PASTERNAK an INFINITO brand</p> <p>Pasternack Enterprises, Inc. P.O. Box 16759, Irvine, CA 92623. Phone: 1.949.261.1920 1.866.727.8376 Fax: 1.949.261.7451 www.pasternack.com e-mail: sales@pasternack.com</p> | <p>THE INFORMATION AND DESIGN IN THIS DOCUMENT IS THE PROPERTY OF PASTERNAK CORPORATION. ALL RIGHTS RESERVED.</p> |
| | X±.2 | [5.08] | FRACTIONS | | | | | | | | |
| .XX±.01 | [.25] | ±.132 | | | | | | | | | |
| .XXX±.005 | [.13] | ANGLES ± 1° | | | | | | | | | |
| <p>SIZE [CAGE CODE] DRAWN BY [PART NUMBER]</p> <p>A 53919 K.DANG PE3C0666</p> | <p>SHEET 1 OF 1</p> <p>SCALE N/A</p> | | | | | | | | | | |

THESE COMMODITIES, TECHNOLOGY OR SOFTWARE WERE EXPORTED FROM THE UNITED STATES IN ACCORDANCE WITH THE EXPORT ADMINISTRATION REGULATIONS. DIVERSION CONTRARY TO U.S. LAW PROHIBITED.