



N Female 4 Hole Flange to MMCX Plug Right Angle Cable 24 Inch Length Using LMR-100 Coax

TECHNICAL DATA SHEET

PE3C0063-24

N Female 4 Hole Flange to MMCX Plug Right Angle Cable 24 Inch Length Using LMR-100 Coax

Configuration

Connector 1	N Female 4 Hole Flange
Connector 2	MMCX Plug Right Angle
Connector 2 Specification	BS EN 122340
Cable Type	LMR-100A
Impedance, Ohms	50

Mechanical Specifications

Cable Assembly

Cable Type	LMR-100A
------------	----------

Temperature

Temperature Operating Range, deg C	-40 to +85
Temperature Storage Range, deg C	-70 to +85

Size

Length, in [mm]	24 [609.6]
Diameter, in [mm]	0.276 [7.01]
Weight, lbs [g]	0.123 [55.79]
Cable Color	Black
One Time Minimum Bend Radius, in [mm]	0.25 [6.35]
Repeated Minimum Bend Radius, in [mm]	1 [25.4]

Cable

No of Shields	2
Dielectric Type	PE
Jacket Material	PVC
Jacket Diameter, in [mm]	0.11 [2.79]

Connector 1

Type	N Female 4 Hole Flange
Configuration	Straight
Mount Method	4 Hole Flange

Connector 2

Type	MMCX Plug Right Angle
Configuration	Right Angle
Inner Conductor Material and Plating	Brass, Gold
Inner Conductor Plating Specification	30μ in. minimum
Body Material and Plating	Brass, Gold
Body Plating Specification	3μ in. minimum
Dielectric Type	Teflon

Click the following link (or enter part number in "SEARCH" on website) to obtain additional part information including price, inventory and certifications: [N Female 4 Hole Flange to MMCX Plug Right Angle Cable 24 Inch Length Using LMR-100 Coax PE3C0063-24](#)

The information contained in this document is accurate to the best of our knowledge and representative of the part described herein. It may be necessary to make modifications to the part and/or the documentation of the part, in order to implement improvements. Pasternack reserves the right to make such changes as required. Unless otherwise stated, all specifications are nominal.



N Female 4 Hole Flange to MMCX Plug Right Angle Cable 24 Inch Length Using LMR-100 Coax

TECHNICAL DATA SHEET

PE3C0063-24

Compliance Certifications (visit www.Pasternack.com for current document)

Plotted and Other Data

Notes:

Values at 25 °C, sea level

N Female 4 Hole Flange to MMCX Plug Right Angle Cable 24 Inch Length Using LMR-100 Coax from Pasternack Enterprises has same day shipment for domestic and International orders. Our RF, microwave and fiber optic products maintain a 99% availability and are part of the broadest selection in the industry.

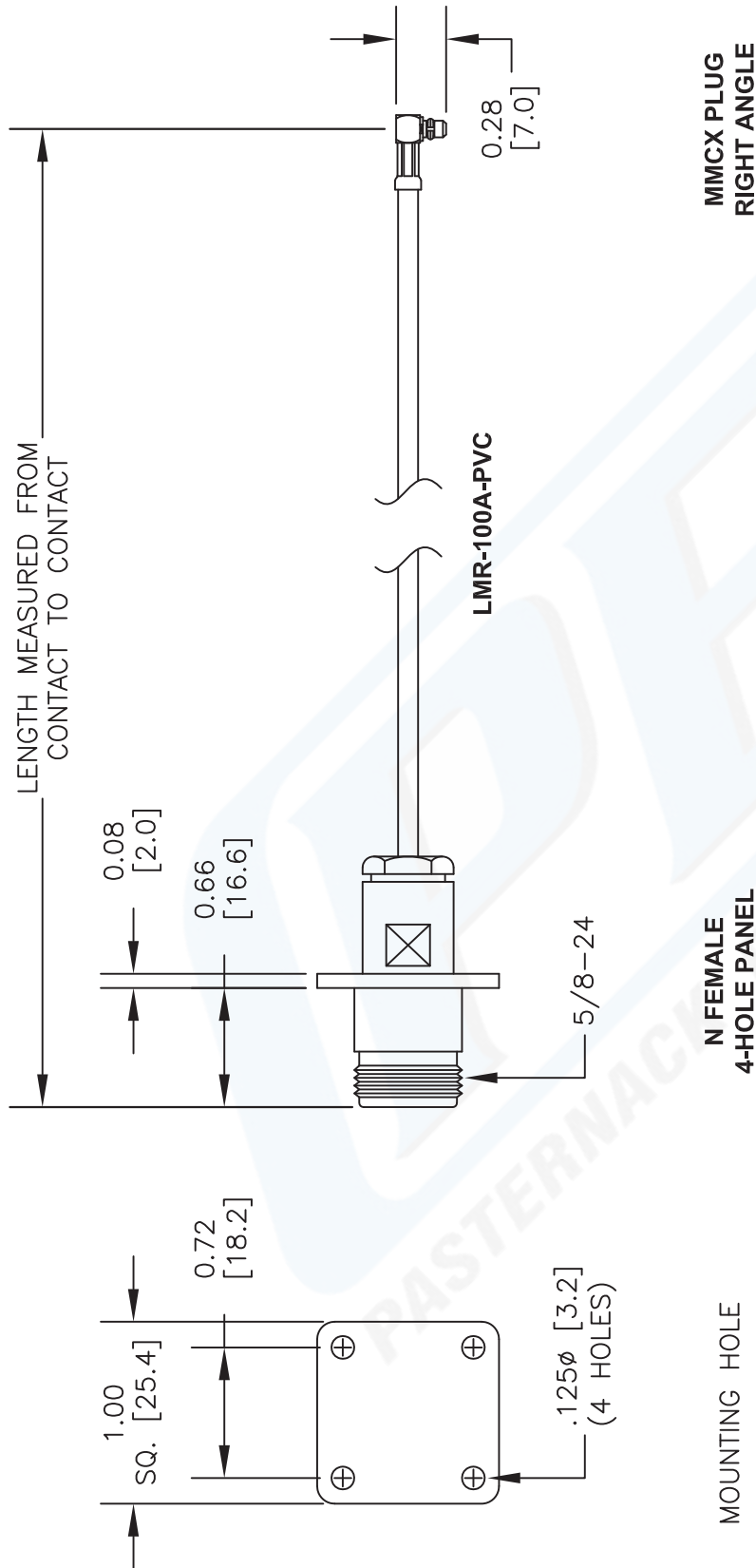
Click the following link (or enter part number in "SEARCH" on website) to obtain additional part information including price, inventory and certifications: [N Female 4 Hole Flange to MMCX Plug Right Angle Cable 24 Inch Length Using LMR-100 Coax PE3C0063-24](http://www.pasternack.com/n-female-mmcx-plug-lmr100-cable-assembly-pe3c0063-24-p.aspx)

URL: <http://www.pasternack.com/n-female-mmcx-plug-lmr100-cable-assembly-pe3c0063-24-p.aspx>

The information contained in this document is accurate to the best of our knowledge and representative of the part described herein. It may be necessary to make modifications to the part and/or the documentation of the part, in order to implement improvements. Pasternack reserves the right to make such changes as required. Unless otherwise stated, all specifications are nominal.

PE3C0063-24 CAD Drawing

N Female 4 Hole Flange to MMCX Plug Right Angle
Cable 24 Inch Length Using LMR-100 Coax



MOUNTING HOLE

N FEMALE
4-HOLE PANEL

MMCX PLUG
RIGHT ANGLE

How To Order		Part # Ext.	Length In Inches	Part # Ext.	Length In Centimeters
Part Number Configuration	Examples	-12	12"	-25CM	25Cm
PE3 [zzz] [yy] - [xx] [uu]	PE3000LF-100	-24	24"	-50CM	50Cm
00 - 99999	PE3000-100	-36	36"	-75CM	75Cm
LF = RoHS Compliant	PE3000LF-100CM	-48	48"	-100CM	100Cm
< Blank > = Standard	PE3000-100CM	-60	60"	-125CM	125Cm
Note: LF applies only to RF cables		-xx	Custom Length	-xxCM	Custom Length

NOTES:
1. UNLESS OTHERWISE SPECIFIED ALL DIMENSIONS ARE NOMINAL.
2. ALL SPECIFICATIONS ARE SUBJECT TO CHANGE WITHOUT NOTICE AT ANY TIME.
3. DIMENSIONS ARE IN INCHES [mm].
4. LENGTH TOLERANCE IS ± 1.5% OR 3/8", WHICHEVER IS GREATER.

DWG TITLE
PE3C0063

PE PASTERNAK
Pasternack Enterprises, Inc.
P.O. Box 16759 | Irvine | CA | 92623
Phone: (949) 261-1920 | Fax: (949) 261-7451
Website: www.pasternack.com | E-Mail: sales@pasternack.com

FSCM NO. 53919	CAD FILE 020513	SCALE N/A	SIZE A	2233
----------------	-----------------	-----------	--------	------