



TNC Female Bulkhead to MMCX Plug Right Angle Semi-Flexible Cable 9 Inch Length Using PE-SR405FLJ Coax with HeatShrink, LF Solder, RoHS

RF Cable Assemblies Technical Data Sheet

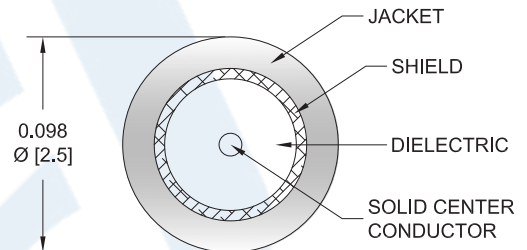
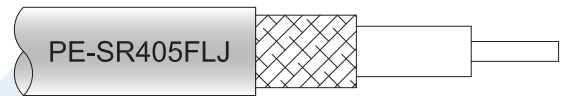
PE39492-9

Configuration

- Connector 1: TNC Female Bulkhead
- Connector 2: MMCX Plug Right Angle
- Cable Type: PE-SR405FLJ

Features

- Dimensionally and electrically the same as standard, solid outer conductor semi-rigid coax
- Cable may be formed by hand and does not require special tools to bend
- May be formed more than once without damaging the outer conductor
- High RF Shielding >100 dB
- 100% Hi-Pot and Continuity Tested
- 100% VSWR tested to max frequency of assembly
- Standard and custom lengths ship the same day



Applications

- General Purpose
- Laboratory Use

Description

Pasternack's formable cable assemblies are hand formable semi-rigid replacements that are an alternative to costly preformed assemblies. The formable semi-rigid cable alternatives are dimensionally and electrically similar to their semi-rigid counterpart and have a tinned copper braid outer shield that provides excellent RF shielding. The hand formable cable assemblies from Pasternack do not require special tooling to shape or reshape the assemblies and can replace standard semi-rigid versions. The assemblies are available with or without a FEP jacket and are RoHS compliant.

Electrical Specifications

| Description | Minimum | Typical | Maximum | Units |
|-------------------------|---------|------------|---------|--------------|
| Frequency Range | DC | | 6 | GHz |
| VSWR | | | 1.35:1 | |
| Velocity of Propagation | | 69.5 | | % |
| RF Shielding | 100 | | | dB |
| Capacitance | | 29 [95.14] | | pF/ft [pF/m] |
| Operating Voltage (AC) | | | 170 | Vrms |

Click the following link (or enter part number in "SEARCH" on website) to obtain additional part information including price, inventory and certifications: [TNC Female Bulkhead to MMCX Plug Right Angle Semi-Flexible Cable 9 Inch Length Using PE-SR405FLJ Coax with HeatShrink, LF Solder, RoHS PE39492-9](#)





TNC Female Bulkhead to MMCX Plug Right Angle Semi-Flexible Cable 9 Inch Length Using PE-SR405FLJ Coax with HeatShrink, LF Solder, RoHS

RF Cable Assemblies Technical Data Sheet

PE39492-9

Specifications by Frequency

| Description | F1 | F2 | F3 | F4 | F5 | Units |
|-----------------------|-------|-------|-------|-------|----|-------|
| Frequency | 0.5 | 1 | 2.5 | 6 | | GHz |
| Insertion Loss (Typ.) | 0.253 | 0.297 | 0.371 | 0.528 | | dB |

Electrical Specification Notes:

Insertion loss does not include the loss of the connectors.
 Insertion loss is estimated as 0.05 x sqrt(fGHz) dB per connector.

Mechanical Specifications

Cable Assembly

Length* 9 in [228.6 mm]
 Weight 0.049 lbs [22.23 g]

Cable

Cable Type PE-SR405FLJ
 Impedance 50 Ohms
 Inner Conductor Type Solid
 Inner Conductor Material and Plating Copper Clad Steel, Silver
 Dielectric Type PTFE
 Number of Shields 1
 Outer Conductor Material and Plating Tinned Copper Braid
 Outer Conductor Diameter 0.083 in [2.11 mm]
 Jacket Material FEP, Black
 Jacket Diameter 0.098 in [2.49 mm]

 Repeated Minimum Bend Radius 0.37 in [9.4 mm]

Connectors

| Description | Connector 1 | Connector 2 |
|------------------------------|------------------------|-----------------------|
| Type | TNC Female Bulkhead | MMCX Plug Right Angle |
| Impedance | 50 Ohms | 50 Ohms |
| Contact Material and Plating | Beryllium Copper, Gold | Phosphor Bronze, Gold |
| Dielectric Type | PTFE | PTFE |
| Body Material and Plating | Brass, Nickel | Brass, Gold |

Mechanical Specification Notes:

*All cable assemblies have a length tolerance of 1.5% or ± 3/8", whichever is greater.

Click the following link (or enter part number in "SEARCH" on website) to obtain additional part information including price, inventory and certifications: [TNC Female Bulkhead to MMCX Plug Right Angle Semi-Flexible Cable 9 Inch Length Using PE-SR405FLJ Coax with HeatShrink, LF Solder, RoHS PE39492-9](#)





TNC Female Bulkhead to MMCX Plug Right Angle Semi-Flexible Cable 9 Inch Length Using PE-SR405FLJ Coax with HeatShrink, LF Solder, RoHS

RF Cable Assemblies Technical Data Sheet

PE39492-9

Environmental Specifications

Temperature

Operating Range

-65 to +125 deg C

Compliance Certifications (see [product page](#) for current document)

Plotted and Other Data

Notes:

- Values at 25°C, sea level.

How to Order

Part Number Configuration:

PE39492 - xx uu

Unit of Measure:
 cm = Centimeters
 <blank> = Inches
 Length
 Base Number

Example: PE39492-12 = 12 inches long cable
 PE39492-100cm = 100 cm long cable

TNC Female Bulkhead to MMCX Plug Right Angle Semi-Flexible Cable 9 Inch Length Using PE-SR405FLJ Coax with HeatShrink, LF Solder, RoHS from Pasternack Enterprises has same day shipment for domestic and International orders. Our RF, microwave and millimeter wave products maintain a 99.4% availability and are part of the broadest selection in the industry.

Click the following link (or enter part number in "SEARCH" on website) to obtain additional part information including price, inventory and certifications: [TNC Female Bulkhead to MMCX Plug Right Angle Semi-Flexible Cable 9 Inch Length Using PE-SR405FLJ Coax with HeatShrink, LF Solder, RoHS PE39492-9](#)

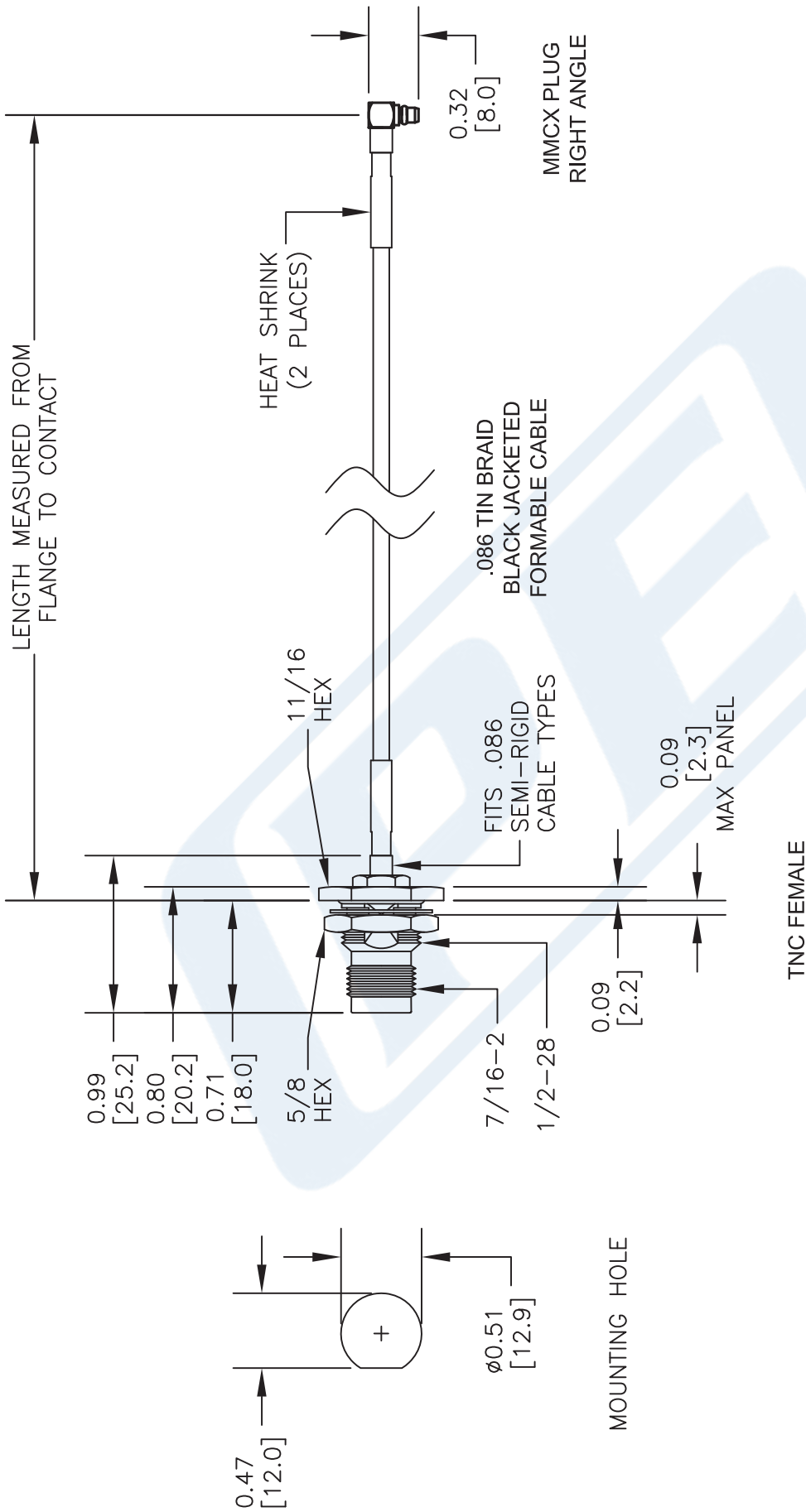
URL: <https://www.pasternack.com/tnc-female-mmcx-plug-pe-sr405flj-cable-assembly-pe39492-9-p.aspx>

The information contained in this document is accurate to the best of our knowledge and representative of the part described herein. It may be necessary to make modifications to the part and/or the documentation of the part, in order to implement improvements. Pasternack reserves the right to make such changes as required. Unless otherwise stated, all specifications are nominal. Pasternack does not make any representation or warranty regarding the suitability of the part described herein for any particular purpose, and Pasternack does not assume any liability arising out of the use of any part or documentation.



PE39492-9 CAD Drawing

TNC Female Bulkhead to MMCX Plug Right Angle Semi-Flexible Cable 9 Inch Length Using PE-SR405FLJ Coax with HeatShrink, LF Solder, RoHS



STANDARD TOLERANCES
 .X ± 0.2
 .XX ± 0.1
 .XXX ± 0.05

*STANDARD TOLERANCES APPLY ONLY TO DIMENSIONS IN INCHES

NOTES:
 1. UNLESS OTHERWISE SPECIFIED ALL DIMENSIONS ARE NOMINAL.
 2. ALL SPECIFICATIONS ARE SUBJECT TO CHANGE WITHOUT NOTICE AT ANY TIME.
 3. DIMENSIONS ARE IN INCHES [mm].

DWG TITLE
PE39492

CAGE CODE **53919**

CAD FILE 050917

SCALE N/A

SIZE A

2233

PE PASTERNAK®
 THE ENGINEER'S RF SOURCE

Pasternack Enterprises, Inc.
 P.O. Box 16759 | Irvine | CA | 92623

Phone: (949) 261-1920 | Fax: (949) 261-7451
 Website: www.pasternack.com | E-Mail: sales@pasternack.com