



SMA Male to TNC Female Bulkhead Semi-Flexible Precision Cable 9 Inch Length Using PE-SR405FLJ Coax, LF Solder, RoHS

RF Cable Assemblies Technical Data Sheet

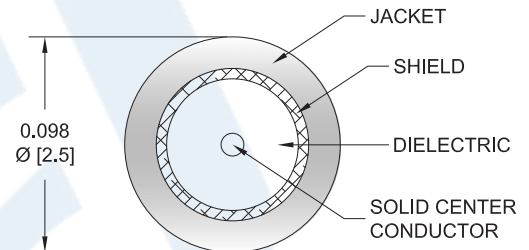
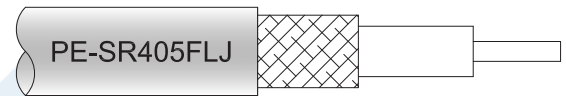
PE39489-9

Configuration

- Connector 1: SMA Male
- Connector 2: TNC Female Bulkhead
- Cable Type: PE-SR405FLJ

Features

- Dimensionally and electrically the same as standard, solid outer conductor semi-rigid coax
- Cable may be formed by hand and does not require special tools to bend
- May be formed more than once without damaging the outer conductor
- High RF Shielding >100 dB
- 100% Hi-pot and continuity tested
- 100% VSWR tested to max frequency of assembly
- Standard and custom lengths ship the same day



Description

Pasternack's formable cable assemblies are hand formable semi-rigid replacements that are an alternative to costly preformed assemblies. The formable semi-rigid cable alternatives are dimensionally and electrically similar to their semi-rigid counterpart and have a tinned-copper-braid outer shield that provides excellent RF shielding. The hand formable cable assemblies from Pasternack do not require special tooling to shape or reshape the assemblies and can replace standard semi-rigid versions. The assemblies are available with or without a FEP jacket and are RoHS compliant,

Electrical Specifications

Description	Minimum	Typical	Maximum	Units
Frequency Range	DC		6	GHz
Velocity of Propagation		69.5		%
RF Shielding	100			dB
Group Delay		1.43 [4.69]		ns/ft [ns/m]
Capacitance		29 [95.14]		pF/ft [pF/m]

Specifications by Frequency

Description	F1	F2	F3	F4	F5	Units
Frequency	0.25	0.5	1	2.5	6	GHz
Insertion Loss (Typ.)	0.251	0.303	0.346	0.421	0.578	dB

Click the following link (or enter part number in "SEARCH" on website) to obtain additional part information including price, inventory and certifications: [SMA Male to TNC Female Bulkhead Semi-Flexible Precision Cable 9 Inch Length Using PE-SR405FLJ Coax, LF Solder, RoHS PE39489-9](#)





SMA Male to TNC Female Bulkhead Semi-Flexible Precision
 Cable 9 Inch Length Using PE-SR405FLJ Coax, LF Solder, RoHS

RF Cable Assemblies Technical Data Sheet

PE39489-9

Mechanical Specifications

Cable Assembly

Length*	9 in [228.6 mm]
Diameter	0.69 in [17.53 mm]
Weight	0.054 lbs [24.49 g]

Cable

Cable Type	PE-SR405FLJ
Impedance	50 Ohms
Inner Conductor Type	Solid
Inner Conductor Material and Plating	Copper Clad Steel, Silver
Dielectric Type	PTFE
Number of Shields	1
Shield Layer 1	Tinned Copper Braid
Jacket Material	FEP, Black
Jacket Diameter	0.098 in [2.49 mm]
One Time Minimum Bend Radius	0.236 in [5.99 mm]
Repeated Minimum Bend Radius	0.787 in [19.99 mm]

Connectors

Description	Connector 1	Connector 2
Type	SMA Male	TNC Female Bulkhead
Impedance	50 Ohms	50 Ohms
Contact Material and Plating	Brass, Gold	Beryllium Copper, Gold
Dielectric Type	PTFE	PTFE
Body Material and Plating	Brass, Gold	Brass, Nickel
Coupling Nut Material and Plating	Passivated Stainless Steel	
Hex Size	5/16 in.	
Torque	8 in-lbs [0.9 Nm]	

Mechanical Specification Notes:

*All cable assemblies have a length tolerance of 1.5% or $\pm 3/8"$, whichever is greater.

Compliance Certifications (see [product page](#) for current document)

Plotted and Other Data

Notes:

- Values at 25°C, sea level.

Click the following link (or enter part number in "SEARCH" on website) to obtain additional part information including price, inventory and certifications: [SMA Male to TNC Female Bulkhead Semi-Flexible Precision Cable 9 Inch Length Using PE-SR405FLJ Coax, LF Solder, RoHS PE39489-9](#)





SMA Male to TNC Female Bulkhead Semi-Flexible Precision
Cable 9 Inch Length Using PE-SR405FLJ Coax, LF Solder, RoHS

RF Cable Assemblies Technical Data Sheet

PE39489-9

How to Order

Part Number Configuration:

PE39489

- **xx**

uu

Unit of Measure:
cm = Centimeters
<blank> = Inches
Length
Base Number

Example: PE39489-12 = 12 inches long cable
PE39489-100cm = 100 cm long cable

SMA Male to TNC Female Bulkhead Semi-Flexible Precision Cable 9 Inch Length Using PE-SR405FLJ Coax, LF Solder, RoHS from Pasternack Enterprises has same day shipment for domestic and International orders. Our RF, microwave and millimeter wave products maintain a 99.4% availability and are part of the broadest selection in the industry.

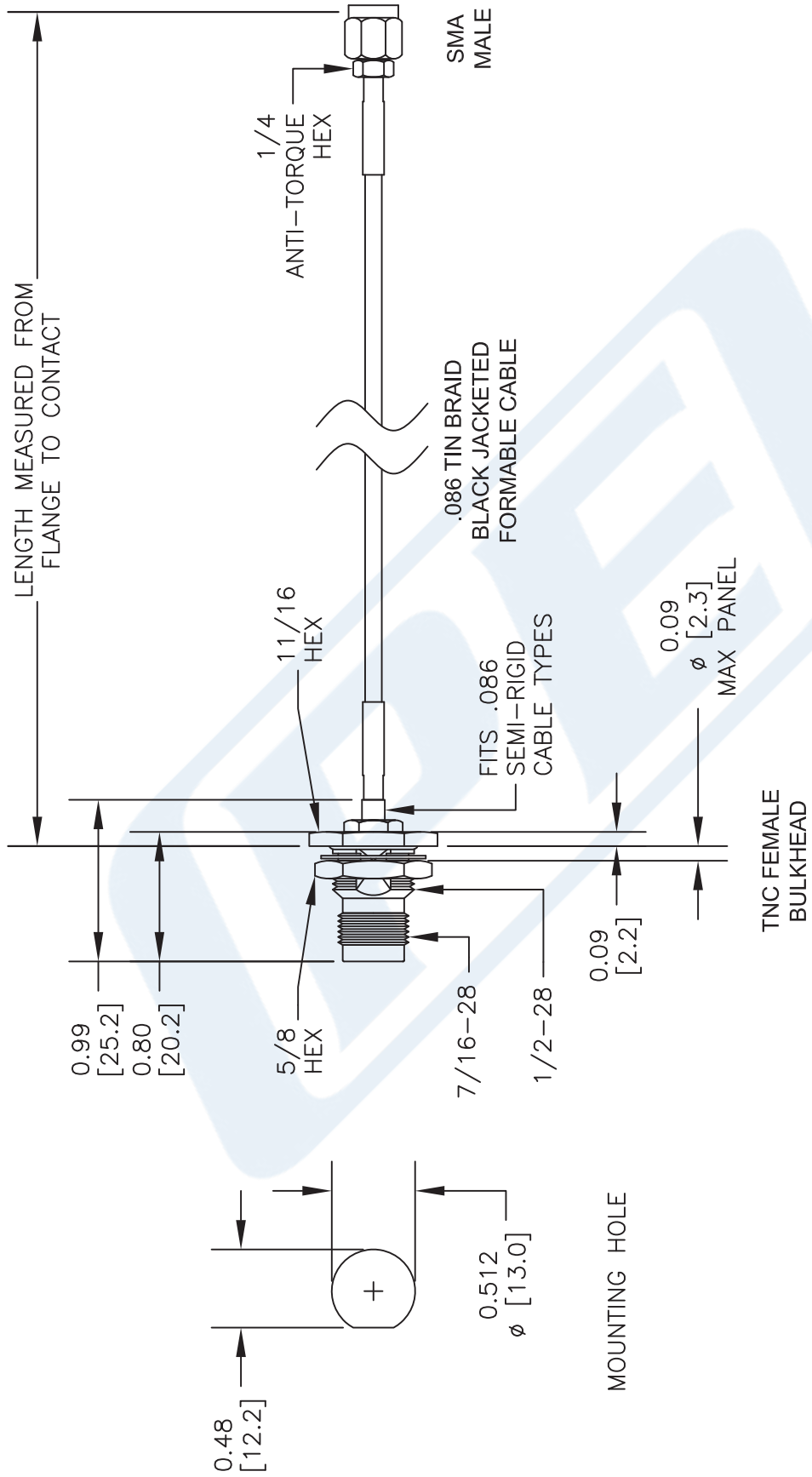
Click the following link (or enter part number in "SEARCH" on website) to obtain additional part information including price, inventory and certifications: [SMA Male to TNC Female Bulkhead Semi-Flexible Precision Cable 9 Inch Length Using PE-SR405FLJ Coax, LF Solder, RoHS PE39489-9](https://www.pasternack.com/sma-male-tnc-female-pe-sr405flj-cable-assembly-pe39489-9-p.aspx)

URL: <https://www.pasternack.com/sma-male-tnc-female-pe-sr405flj-cable-assembly-pe39489-9-p.aspx>

The information contained in this document is accurate to the best of our knowledge and representative of the part described herein. It may be necessary to make modifications to the part and/or the documentation of the part, in order to implement improvements. Pasternack reserves the right to make such changes as required. Unless otherwise stated, all specifications are nominal. Pasternack does not make any representation or warranty regarding the suitability of the part described herein for any particular purpose, and Pasternack does not assume any liability arising out of the use of any part or documentation.

PE39489-9 CAD Drawing

SMA Male to TNC Female Bulkhead Semi-Flexible Precision Cable
9 Inch Length Using PE-SR405FLJ Coax, LF Solder, RoHS



DWG TITLE

PE39489

NOTES:
1. UNLESS OTHERWISE SPECIFIED ALL DIMENSIONS ARE NOMINAL.
2. ALL SPECIFICATIONS ARE SUBJECT TO CHANGE WITHOUT NOTICE AT ANY TIME.
3. DIMENSIONS ARE IN INCHES [mm].

CAGE CODE 53919

CAD FILE 061917

SCALE N/A

SIZE A

2233

PE PASTERNAK
THE ENGINEER'S RF SOURCE

Pasternack Enterprises, Inc.
P.O. Box 16759 | Irvine | CA | 92623
Phone: (949) 261-1920 | Fax: (949) 261-7451
Website: www.pasternack.com | E-Mail: sales@pasternack.com

Note: This part is lead free.