



TNC Male Right Angle to TNC Male Right Angle Semi-Flexible Precision Cable 6 Inch Length Using PE-SR405FLJ Coax, RoHS

TECHNICAL DATA SHEET

PE39486-6

Hand Formable TNC Male Right Angle to TNC Male Right Angle Semi-Flexible Precision Cable 6 Inch Length Using PE-SR405FLJ Coax, RoHS

Pasternack's formable cable assemblies are hand formable semi-rigid replacements that are an alternative to costly preformed assemblies. The formable semi-rigid cable alternatives are dimensionally and electrically similar to their semi-rigid counterpart and have a tinned-copper-braid outer shield that provides excellent RF shielding. The hand formable cable assemblies from Pasternack do not require special tooling to shape or reshape the assemblies and can replace standard semi-rigid versions. The assemblies are available with or without a PVC jacket and are RoHS compliant,

- Dimensionally and electrically the same as standard, solid outer conductor semi-rigid coax
- Cable may be formed by hand and does not require special tools to bend
- May be formed more than once without damaging the outer conductor
- High RF Shielding >100 dB
- 100% Hi-pot and continuity tested
- 100% VSWR tested to max frequency of assembly
- Standard and custom lengths ship the same day

Configuration

| | |
|-------------|----------------------|
| Connector 1 | TNC Male Right Angle |
| Connector 2 | TNC Male Right Angle |
| Cable Type | PE-SR405FLJ |

Electrical Specifications

| | |
|---------------------------------|---------|
| Frequency Range, GHz | DC to 6 |
| Impedance, Ohms | 50 |
| Maximum VSWR | 1.5:1 |
| Velocity of Propagation, % | 69 |
| RF Shielding, dB | 100 |
| Maximum Operating Voltage, Vrms | 500 |

Typical Performance by Frequency

Frequency 1

| | |
|----------------|---------------------------|
| Frequency, MHz | 1000 |
| Insertion Loss | 0.225 dB/ft [0.74 dB/m] |

Frequency 2

| | |
|----------------|--------------------------|
| Frequency, GHz | 5 |
| Insertion Loss | 0.549 dB/ft [1.8 dB/m] |

Mechanical Specifications

Cable Assembly

| | |
|------------|-------------|
| Cable Type | PE-SR405FLJ |
|------------|-------------|

Temperature

| | |
|------------------------------------|-------------|
| Temperature Operating Range, deg C | -55 to +125 |
|------------------------------------|-------------|

Click the following link (or enter part number in "SEARCH" on website) to obtain additional part information including price, inventory and certifications: [TNC Male Right Angle to TNC Male Right Angle Semi-Flexible Precision Cable 6 Inch Length Using PE-SR405FLJ Coax, RoHS PE39486-6](#)

The information contained in this document is accurate to the best of our knowledge and representative of the part described herein. It may be necessary to make modifications to the part and/or the documentation of the part, in order to implement improvements. Pasternack reserves the right to make such changes as required. Unless otherwise stated, all specifications are nominal.





TNC Male Right Angle to TNC Male Right Angle Semi-Flexible Precision Cable 6 Inch Length Using PE-SR405FLJ Coax, RoHS

TECHNICAL DATA SHEET

PE39486-6

Size

| | |
|---------------------------------------|---------------|
| Length, in [mm] | 6 [152.4] |
| Diameter, in [mm] | 0.098 [2.49] |
| Cable Color | Black |
| One Time Minimum Bend Radius, in [mm] | 0.37 [9.4] |
| Repeated Minimum Bend Radius, in [mm] | 0.787 [19.99] |

Cable

| | |
|--------------------------|---------------------------|
| Center Conductor Type | Solid |
| Cable Inner Conductor | Copper Clad Steel, Silver |
| No of Shields | 1 |
| Dielectric Type | PTFE |
| Jacket Material | FEP |
| Jacket Diameter, in [mm] | 0.098 [2.49] |

Connector 1

| | |
|---------------|----------------------|
| Type | TNC Male Right Angle |
| Configuration | Right Angle |

Connector 2

| | |
|---------------|----------------------|
| Type | TNC Male Right Angle |
| Configuration | Right Angle |

Compliance Certifications (visit www.Pasternack.com for current document)

| | |
|----------------|-----|
| RoHS Compliant | Yes |
|----------------|-----|

Plotted and Other Data

| | |
|--------|----------------------------|
| Notes: | Values at 25 °C, sea level |
|--------|----------------------------|

TNC Male Right Angle to TNC Male Right Angle Semi-Flexible Precision Cable 6 Inch Length Using PE-SR405FLJ Coax, RoHS from Pasternack Enterprises has same day shipment for domestic and International orders. Our RF, microwave and fiber optic products maintain a 99% availability and are part of the broadest selection in the industry.

Click the following link (or enter part number in "SEARCH" on website) to obtain additional part information including price, inventory and certifications: [TNC Male Right Angle to TNC Male Right Angle Semi-Flexible Precision Cable 6 Inch Length Using PE-SR405FLJ Coax, RoHS PE39486-6](http://www.pasternack.com/tnc-male-tnc-male-pe-sr405flj-cable-assembly-pe39486-6-p.aspx)

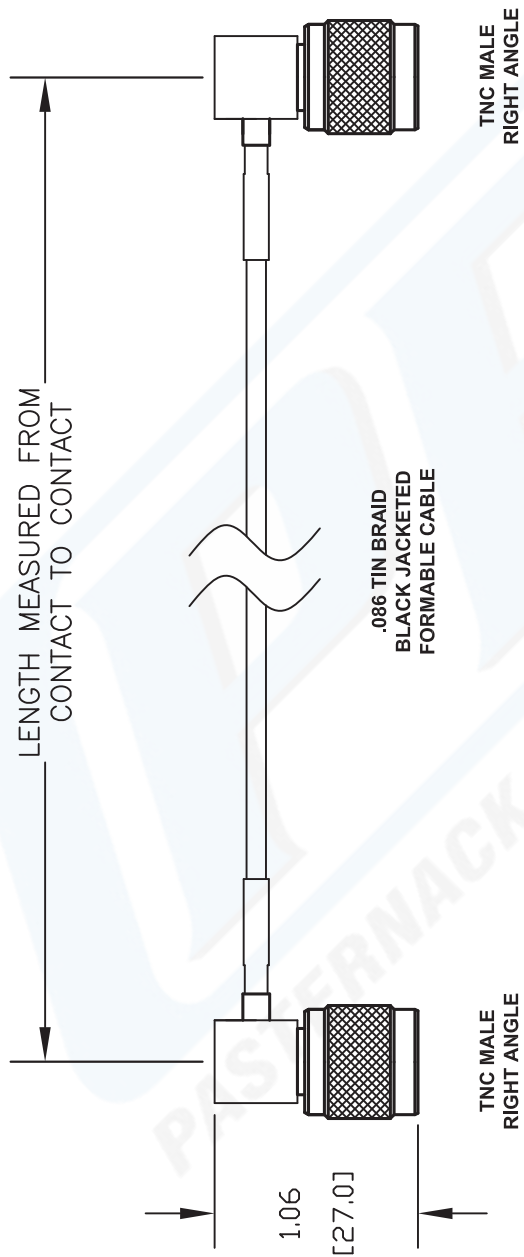
URL: <http://www.pasternack.com/tnc-male-tnc-male-pe-sr405flj-cable-assembly-pe39486-6-p.aspx>

The information contained in this document is accurate to the best of our knowledge and representative of the part described herein. It may be necessary to make modifications to the part and/or the documentation of the part, in order to implement improvements. Pasternack reserves the right to make such changes as required. Unless otherwise stated, all specifications are nominal.



PE39486-6 CAD Drawing

TNC Male Right Angle to TNC Male Right Angle Semi-Flexible Precision Cable 6 Inch Length Using PE-SR405FLJ Coax, RoHS



Note: This part is lead free.

| Part Number Configuration | | How To Order | |
|---------------------------|--|--------------|------------------|
| PE3 | [zzz] [yy] - [xx] [uu] | Part # Ext. | Length In Inches |
| 00 - 99999 | LF = Lead Free < Blank > = Standard | -12 | 12" |
| | Note: LF applies only to RF cables | -24 | 24" |
| | | -36 | 36" |
| | | -48 | 48" |
| | | -60 | 60" |
| | | -xx | Custom Length |
| | | -25CM | 25Cm |
| | | -50CM | 50Cm |
| | | -75CM | 75Cm |
| | | -100CM | 100Cm |
| | | -125CM | 125Cm |
| | | -xxCM | Custom Length |

PASTERNAK ENTERPRISES®
ESTABLISHED 1972

PASTERNAK ENTERPRISES, INC.
P.O. BOX 16759, IRVINE, CA 92623
PHONE (949) 261-1920 FAX (949) 261-7451
WEB ADDRESS: www.pasternack.com
E-MAIL ADDRESS: sales@pasternack.com
COAXIAL & FIBER OPTICS

DWG TITLE
PE39486

NOTES:
1. UNLESS OTHERWISE SPECIFIED ALL DIMENSIONS ARE NOMINAL.
2. ALL SPECIFICATIONS ARE SUBJECT TO CHANGE WITHOUT NOTICE AT ANY TIME.
3. DIMENSIONS ARE IN INCHES (mm).
4. LENGTH TOLERANCE IS ± 1.5% OR 3/8", WHICHEVER IS GREATER.

REV. - FSCM NO. 53919 CAD FILE 041912 SCALE N/A SIZE A 2231