



SMA Male Right Angle to N Female Bulkhead Semi-Flexible  
Precision Cable 6 Inch Length Using PE-SR405FL Coax, RoHS

TECHNICAL DATA SHEET PE39448-6

Pasternack's formable cable assemblies are hand formable semi-rigid replacements that are an alternative to costly preformed assemblies. The formable semi-rigid cable alternatives are dimensionally and electrically similar to their semi-rigid counterpart and have a tinned-copper-braid outer shield that provides excellent RF shielding. The hand formable cable assemblies from Pasternack do not require special tooling to shape or reshape the assemblies and can replace standard semi-rigid versions. The assemblies are available with or without a FEP jacket and are RoHS compliant,

**Features**

- Dimensionally and electrically the same as standard, solid outer conductor semi-rigid coax
- Cable may be formed by hand and does not require special tools to bend
- May be formed more than once without damaging the outer conductor
- High RF Shielding >100 dB
- 100% Hi-pot and continuity tested
- 100% VSWR tested to max frequency of assembly
- Standard and custom lengths ship the same day

**Configuration**

Connector 1	SMA Male Right Angle
Connector 2	N Female Bulkhead
Cable Type	PE-SR405FL

**Electrical Specifications**

Frequency Range	DC to 10 GHz
Impedance	50 Ohms
Max VSWR	1.5:1
Velocity of Propagation	69.5 %

**Performance by Frequency**

**Frequency 1**

Frequency	500 MHz
Insertion Loss	0.256 dB

**Frequency 2**

Frequency	1000 MHz
Insertion Loss	0.313 dB

**Frequency 3**

Frequency	2.5 GHz
Insertion Loss	0.373 dB

**Frequency 4**

Frequency	5 GHz
Insertion Loss	0.475 dB

**Frequency 5**

Frequency	10 GHz
Insertion Loss	0.606 dB

Click the following link (or enter part number in "SEARCH" on website) to obtain additional part information including price, inventory and certifications: [SMA Male Right Angle to N Female Bulkhead Semi-Flexible Precision Cable 6 Inch Length Using PE-SR405FL Coax, RoHS PE39448-6](#)





SMA Male Right Angle to N Female Bulkhead Semi-Flexible  
Precision Cable 6 Inch Length Using PE-SR405FL Coax, RoHS

TECHNICAL DATA SHEET

PE39448-6

**Mechanical Specifications**

**Size**

Length	6 in [152.4 mm]
Diameter	0.866 in [22 mm]

**Cable**

Cable Type	PE-SR405FL
Inner Conductor Type	Solid
Cable Inner Conductor	Copper Clad Steel, Silver
No of Shields	1
Dielectric Type	PTFE

**Connector 1**

Type	SMA Male Right Angle
Configuration	Right Angle
Inner Conductor Material and Plating	Brass, Gold
Coupling Nut Material and Plating	Passivated Stainless Steel
Hex Size	5/16 in.
Torque	8 in-lbs [0.9 Nm]
Body Material and Plating	Brass, Gold
Dielectric Type	PTFE

**Connector 2**

Type	N Female Bulkhead
Configuration	Straight
Mount Method	Bulkhead
Inner Conductor Material and Plating	Phosphor Bronze, Gold
Body Material and Plating	Brass, Nickel
Dielectric Type	PTFE

**Compliance Certifications** (visit [www.Pasternack.com](http://www.Pasternack.com) for current document)

RoHS Compliant	Yes
REACH Compliant	06/18/2012

**Plotted and Other Data**

Notes:

- Values at +25 °C, sea level

Click the following link (or enter part number in "SEARCH" on website) to obtain additional part information including price, inventory and certifications: [SMA Male Right Angle to N Female Bulkhead Semi-Flexible Precision Cable 6 Inch Length Using PE-SR405FL Coax, RoHS PE39448-6](#)



SMA Male Right Angle to N Female Bulkhead Semi-Flexible Precision Cable 6 Inch Length Using PE-SR405FL Coax, RoHS

TECHNICAL DATA SHEET PE39448-6

**How to Order**

Part Number Configuration:

**PE39448 - xx uu**



Example: PE39448-12 = 12 inches long cable  
PE39448-100cm = 100 cm long cable

SMA Male Right Angle to N Female Bulkhead Semi-Flexible Precision Cable 6 Inch Length Using PE-SR405FL Coax, RoHS from Pasternack Enterprises has same day shipment for domestic and International orders. Our RF, microwave and millimeter wave products maintain a 99% availability and are part of the broadest selection in the industry.

Click the following link (or enter part number in "SEARCH" on website) to obtain additional part information including price, inventory and certifications: [SMA Male Right Angle to N Female Bulkhead Semi-Flexible Precision Cable 6 Inch Length Using PE-SR405FL Coax, RoHS PE39448-6](http://www.pasternack.com/sma-male-n-female-pe-sr405fl-cable-assembly-pe39448-6-p.aspx)

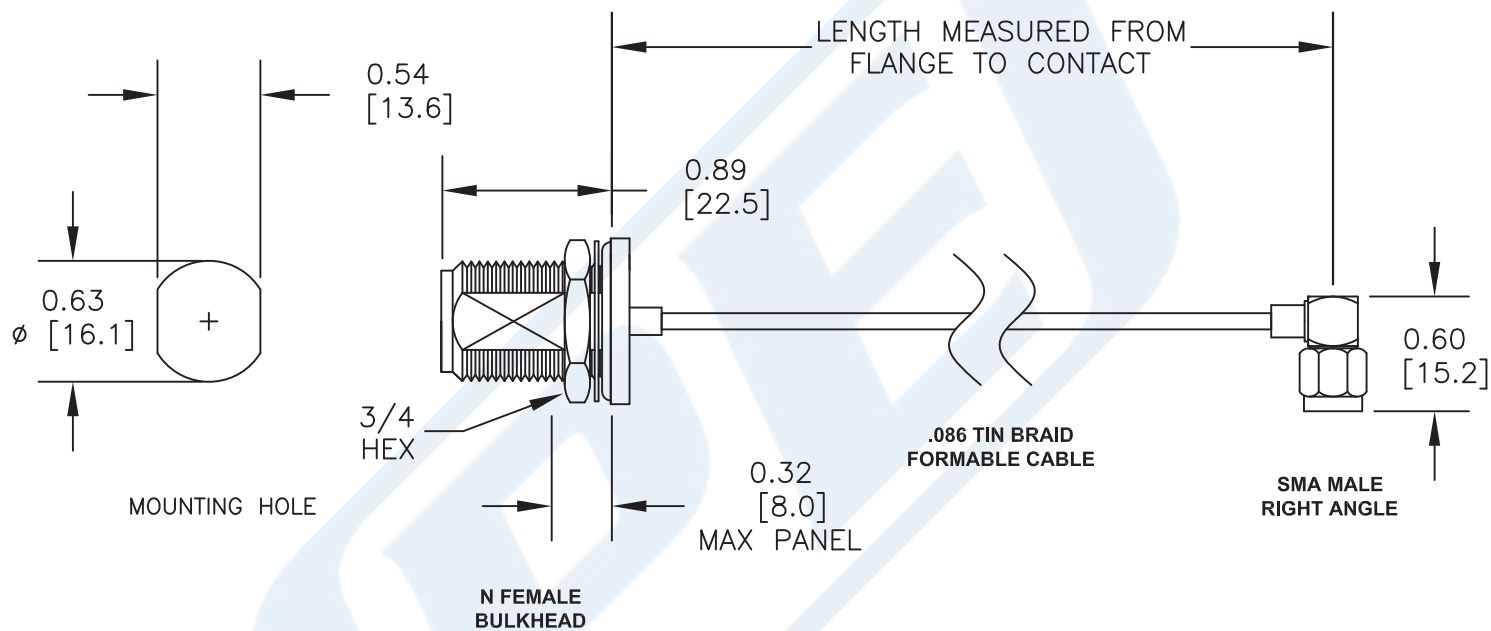
URL: <http://www.pasternack.com/sma-male-n-female-pe-sr405fl-cable-assembly-pe39448-6-p.aspx>

The information contained in this document is accurate to the best of our knowledge and representative of the part described herein. It may be necessary to make modifications to the part and/or the documentation of the part, in order to implement improvements. Pasternack reserves the right to make such changes as required. Unless otherwise stated, all specifications are nominal. Pasternack does not make any representation or warranty regarding the suitability of the part described herein for any particular purpose, and Pasternack does not assume any liability arising out of the use of any part or documentation.



# PE39448-6 CAD Drawing

SMA Male Right Angle to N Female Bulkhead Semi-Flexible Precision  
Cable 6 Inch Length Using PE-SR405FL Coax, RoHS



**Note: This part is lead free.**



Pasternack Enterprises, Inc.  
P.O. Box 16759 | Irvine | CA | 92623

Phone: (949) 261-1920 | Fax: (949) 261-7451

Website: www.pasternack.com | E-Mail: sales@pasternack.com

**NOTES:**

1. UNLESS OTHERWISE SPECIFIED ALL DIMENSIONS ARE NOMINAL.
2. ALL SPECIFICATIONS ARE SUBJECT TO CHANGE WITHOUT NOTICE AT ANY TIME.
3. DIMENSIONS ARE IN INCHES [mm].
4. LENGTH TOLERANCE IS  $\pm 1.5\%$  OR  $3/8"$ , WHICHEVER IS GREATER.

DWG TITLE

**PE39448**

FSCM NO. 53919

CAD FILE

012115

SCALE N/A

SIZE A

2233