



SMA Female Bulkhead to MMCX Plug Right Angle Semi-Flexible Cable 6 Inch Length Using PE-SR405FLJ Coax with HeatShrink, LF Solder, RoHS

RF Cable Assemblies Technical Data Sheet

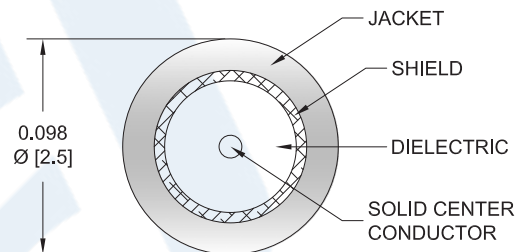
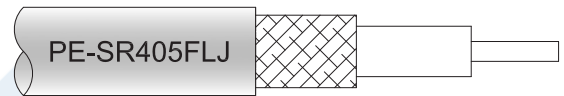
PE39436-6

Configuration

- Connector 1: SMA Female Bulkhead
- Connector 2: MMCX Plug Right Angle
- Cable Type: PE-SR405FLJ

Features

- Dimensionally and electrically the same as standard, solid outer conductor semi-rigid coax
- Cable may be formed by hand and does not require special tools to bend
- May be formed more than once without damaging the outer conductor
- High RF Shielding >100 dB
- 100% Hi-Pot and Continuity Tested
- 100% VSWR tested to max frequency of assembly
- Standard and custom lengths ship the same day



Applications

- General Purpose
- Laboratory Use

Description

Pasternack's formable cable assemblies are hand formable semi-rigid replacements that are an alternative to costly preformed assemblies. The formable semi-rigid cable alternatives are dimensionally and electrically similar to their semi-rigid counterpart and have a tinned copper braid outer shield that provides excellent RF shielding. The hand formable cable assemblies from Pasternack do not require special tooling to shape or reshape the assemblies and can replace standard semi-rigid versions. The assemblies are available with or without a FEP jacket and are RoHS compliant.

Electrical Specifications

Description	Minimum	Typical	Maximum	Units
Frequency Range	DC		6	GHz
VSWR			1.35:1	
Velocity of Propagation		69.5		%
RF Shielding	100			dB
Capacitance		29 [95.14]		pF/ft [pF/m]
Operating Voltage (AC)			170	Vrms

Click the following link (or enter part number in "SEARCH" on website) to obtain additional part information including price, inventory and certifications: [SMA Female Bulkhead to MMCX Plug Right Angle Semi-Flexible Cable 6 Inch Length Using PE-SR405FLJ Coax with HeatShrink, LF Solder, RoHS PE39436-6](#)





SMA Female Bulkhead to MMCX Plug Right Angle Semi-Flexible Cable 6 Inch Length Using PE-SR405FLJ Coax with HeatShrink, LF Solder, RoHS

RF Cable Assemblies Technical Data Sheet

PE39436-6

Specifications by Frequency

Description	F1	F2	F3	F4	F5	Units
Frequency	0.5	1	2.5	6		GHz
Insertion Loss (Typ.)	0.169	0.198	0.247	0.352		dB

Mechanical Specifications

Cable Assembly

Length*	6 in [152.4 mm]
Weight	0.017 lbs [7.71 g]

Cable

Cable Type	PE-SR405FLJ
Impedance	50 Ohms
Inner Conductor Type	Solid
Inner Conductor Material and Plating	Copper Clad Steel, Silver
Dielectric Type	PTFE
Number of Shields	1
Outer Conductor Material and Plating	Tinned Copper Braid
Outer Conductor Diameter	0.086 in [2.18 mm]
Jacket Material	FEP, Black
Jacket Diameter	0.098 in [2.49 mm]
Repeated Minimum Bend Radius	0.37 in [9.4 mm]

Connectors

Description	Connector 1	Connector 2
Type	SMA Female Bulkhead	MMCX Plug Right Angle
Impedance	50 Ohms	50 Ohms
Contact Material and Plating	Beryllium Copper, Gold	Phosphor Bronze, Gold
Dielectric Type	PTFE	PTFE
Body Material and Plating	Brass, Gold	Brass, Gold

Mechanical Specification Notes:

*All cable assemblies have a length tolerance of 1.5% or $\pm 3/8"$, whichever is greater.

Environmental Specifications

Temperature

Operating Range	-65 to +125 deg C
-----------------	-------------------

Click the following link (or enter part number in "SEARCH" on website) to obtain additional part information including price, inventory and certifications: [SMA Female Bulkhead to MMCX Plug Right Angle Semi-Flexible Cable 6 Inch Length Using PE-SR405FLJ Coax with HeatShrink, LF Solder, RoHS PE39436-6](#)





SMA Female Bulkhead to MMCX Plug Right Angle Semi-Flexible Cable 6 Inch Length Using PE-SR405FLJ Coax with HeatShrink, LF Solder, RoHS

RF Cable Assemblies Technical Data Sheet

PE39436-6

Compliance Certifications (see [product page](#) for current document)

Plotted and Other Data

Notes:

- Values at 25°C, sea level.

How to Order

Part Number Configuration:

PE39436 - xx uu

Unit of Measure:
 cm = Centimeters
 <blank> = Inches
 Length
 Base Number

Example: PE39436-12 = 12 inches long cable
 PE39436-100cm = 100 cm long cable

SMA Female Bulkhead to MMCX Plug Right Angle Semi-Flexible Cable 6 Inch Length Using PE-SR405FLJ Coax with HeatShrink, LF Solder, RoHS from Pasternack Enterprises has same day shipment for domestic and International orders. Our RF, microwave and millimeter wave products maintain a 99.4% availability and are part of the broadest selection in the industry.

Click the following link (or enter part number in "SEARCH" on website) to obtain additional part information including price, inventory and certifications: [SMA Female Bulkhead to MMCX Plug Right Angle Semi-Flexible Cable 6 Inch Length Using PE-SR405FLJ Coax with HeatShrink, LF Solder, RoHS PE39436-6](#)

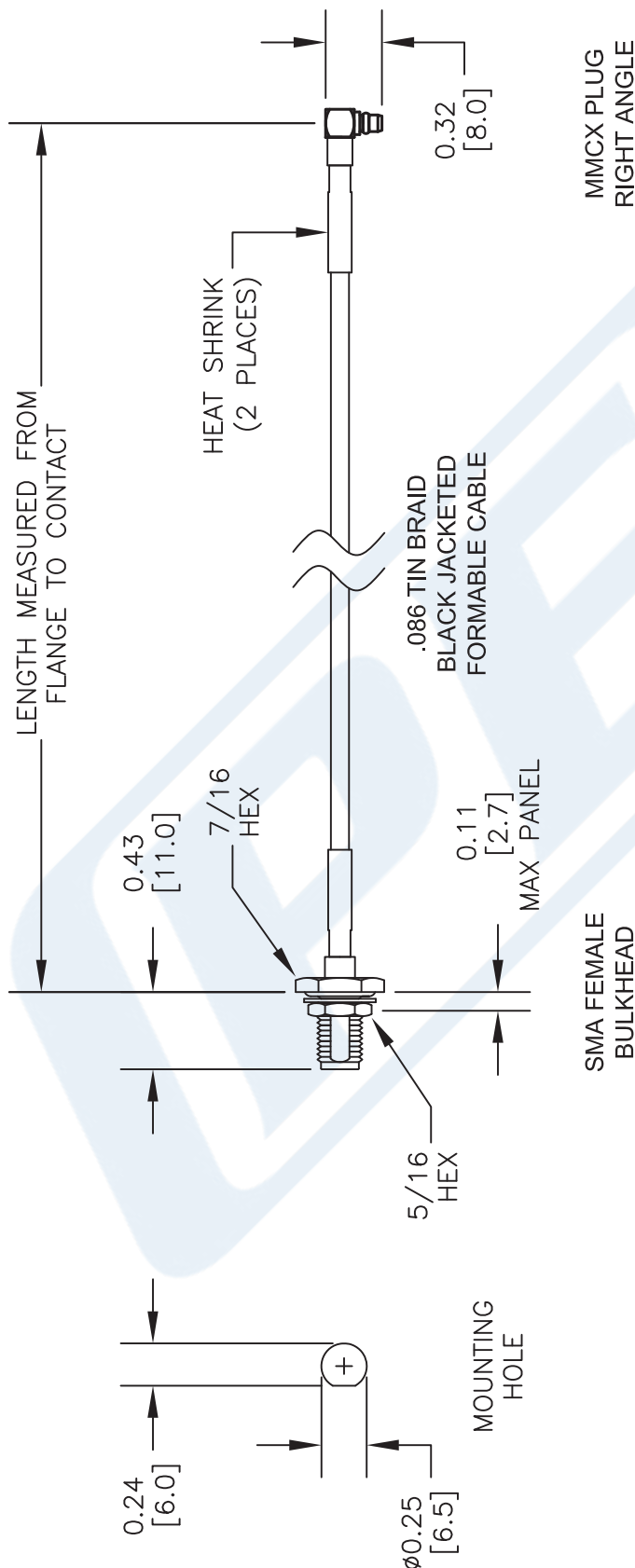
URL: <https://www.pasternack.com/sma-female-mmcx-plug-pe-sr405flj-cable-assembly-pe39436-6-p.aspx>

The information contained in this document is accurate to the best of our knowledge and representative of the part described herein. It may be necessary to make modifications to the part and/or the documentation of the part, in order to implement improvements. Pasternack reserves the right to make such changes as required. Unless otherwise stated, all specifications are nominal. Pasternack does not make any representation or warranty regarding the suitability of the part described herein for any particular purpose, and Pasternack does not assume any liability arising out of the use of any part or documentation.



PE39436-6 CAD Drawing

SMA Female Bulkhead to MMCX Plug Right Angle Semi-Flexible Cable 6 Inch Length Using PE-SR405FLJ Coax with HeatShrink, LF Solder, RoHS



STANDARD TOLERANCES	
.X	±0.2
.XX	±0.1
.XXX	±0.05

*STANDARD TOLERANCES APPLY ONLY TO DIMENSIONS IN INCHES

NOTES:
 1. UNLESS OTHERWISE SPECIFIED ALL DIMENSIONS ARE NOMINAL.
 2. ALL SPECIFICATIONS ARE SUBJECT TO CHANGE WITHOUT NOTICE AT ANY TIME.
 3. DIMENSIONS ARE IN INCHES [mm].
 4. LENGTH TOLERANCE IS ± 1.5% OR 3/8", WHICHEVER IS GREATER.

DWG TITLE
PE39436

PE PASTERNAK
 THE ENGINEER'S RF SOURCE
 Pasternack Enterprises, Inc.
 P.O. Box 16759 | Irvine | CA | 92623
 Phone: (949) 261-1920 | Fax: (949) 261-7451
 Website: www.pasternack.com | E-Mail: sales@pasternack.com

CAGE CODE	53919
CAD FILE	041317
SCALE	N/A
SIZE	A
	2233