



SMA Male to BNC Female 4 Hole Flange Low Loss Cable 100 CM Length Using PE-C195 Coax

RF Cable Assemblies Technical Data Sheet

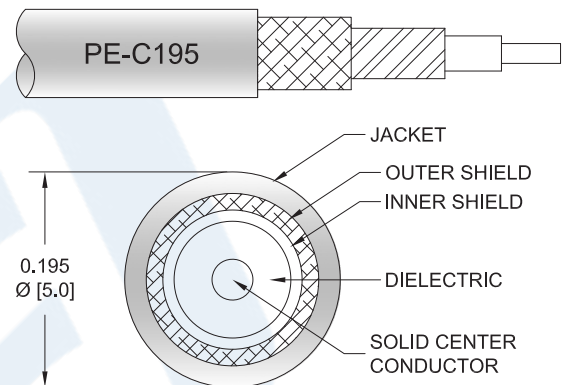
PE39324/HS-100CM

Configuration

- Connector 1: SMA Male
- Connector 2: BNC Female 4 Hole Flange
- Cable Type: PE-C195

Features

- Max Frequency 5.8 GHz
- Shielding Effectivity > 90 dB
- 80% Phase Velocity
- Double Shielded
- PE Jacket



Applications

- General Purpose
- Laboratory Use

Description

Pasternack's PE39324/HS-100CM SMA male to BNC female 4 hole flange 100 cm cable using PE-C195 coax is part of our full line of RF components available for same-day shipping. Pasternack's flexible RF cable assemblies are ideal for applications where tight bends and flexure are required. This Pasternack SMA to BNC cable assembly has a male to female gender configuration with 50 ohm flexible PE-C195 coax. The PE39324/HS-100CM SMA male to BNC female cable assembly operates to 5.8 GHz. Our RF cable assembly with BNC 4 hole flange interface allows designers to create external connections on their product enclosures, and can be used in a variety of other rack mount and panel mount applications. The double shielding of this Pasternack cable assembly provides excellent shielding effectiveness of better than 90 dB.

Custom versions of most RF cable assemblies can be built and shipped same day. Custom cable assembly lengths can be obtained by specifying the desired length on the web site at time of order or by contacting a sales representative. Other available RF cable assembly value added services include connector orientation or clocking, heat shrink booting and custom labeling. RF testing can also be performed to document the electrical performance of your cable assembly.

Click the following link (or enter part number in "SEARCH" on website) to obtain additional part information including price, inventory and certifications: [SMA Male to BNC Female 4 Hole Flange Low Loss Cable 100 CM Length Using PE-C195 Coax PE39324/HS-100CM](#)



SMA Male to BNC Female 4 Hole Flange Low Loss
Cable 100 CM Length Using PE-C195 Coax

RF Cable Assemblies Technical Data Sheet

PE39324/HS-100CM

Electrical Specifications

| Description | Minimum | Typical | Maximum | Units |
|-------------------------|---------|--------------|---------|--------------|
| Frequency Range | DC | | 5.8 | GHz |
| Velocity of Propagation | | 80 | | % |
| RF Shielding | 90 | | | dB |
| Capacitance | | 25.4 [83.33] | | pF/ft [pF/m] |
| Jacket Spark | | | 5,000 | Vrms |

Specifications by Frequency

| Description | F1 | F2 | F3 | F4 | F5 | Units |
|-----------------------|------|------|------|------|------|-------|
| Frequency | 0.25 | 0.5 | 1 | 2.5 | 5.8 | GHz |
| Insertion Loss (Typ.) | 0.38 | 0.46 | 0.58 | 0.82 | 1.18 | dB |

Electrical Specification Notes:

The Insertion Loss data above is based on the performance specifications of the coax cable and connectors used in this assembly. The Insertion Loss includes an estimated insertion loss of 0.1 dB per connector

Mechanical Specifications

Cable Assembly

Length* 39.37 in [100 cm]
Diameter 0.687 in [17.45 mm]

Cable

Cable Type PE-C195
Impedance 50 Ohms
Inner Conductor Type Solid
Inner Conductor Material and Plating Copper
Dielectric Type PE (F)
Number of Shields 2
Shield Layer 1 Aluminum Tape
Shield Layer 2 Tinned Copper Braid
Jacket Material PE, Black
Jacket Diameter 0.195 in [4.95 mm]

One Time Minimum Bend Radius 0.5 in [12.7 mm]
Repeated Minimum Bend Radius 2 in [50.8 mm]

Click the following link (or enter part number in "SEARCH" on website) to obtain additional part information including price, inventory and certifications: [SMA Male to BNC Female 4 Hole Flange Low Loss Cable 100 CM Length Using PE-C195 Coax PE39324/HS-100CM](#)



SMA Male to BNC Female 4 Hole Flange Low Loss
Cable 100 CM Length Using PE-C195 Coax

RF Cable Assemblies Technical Data Sheet

PE39324/HS-100CM

Connectors

| Description | Connector 1 | Connector 2 |
|------------------------------------|--------------------|--------------------------|
| Type | SMA Male | BNC Female 4 Hole Flange |
| Specification | MIL-STD-348A | |
| Impedance | 50 Ohms | 50 Ohms |
| Contact Material and Plating | Brass, Gold | Brass, Gold |
| Contact Plating Specification | 50 µin minimum | |
| Dielectric Type | PTFE | PTFE |
| Body Material and Plating | Brass, Nickel | Brass, Nickel |
| Body Plating Specification | 100 µin minimum | |
| Coupling Nut Material and Plating | Brass, Nickel | |
| Coupling Nut Plating Specification | 100 µin minimum | |
| Hex Size | 5/16 inch | |
| Torque | 3 in-lbs [0.34 Nm] | |

Environmental Specifications

Temperature

Operating Range

-40 to +85 deg C

Storage Range

-40 to +85 deg C

Compliance Certifications (see [product page](#) for current document)

Plotted and Other Data

Notes:

Click the following link (or enter part number in "SEARCH" on website) to obtain additional part information including price, inventory and certifications: [SMA Male to BNC Female 4 Hole Flange Low Loss Cable 100 CM Length Using PE-C195 Coax PE39324/HS-100CM](#)



SMA Male to BNC Female 4 Hole Flange Low Loss
Cable 100 CM Length Using PE-C195 Coax

RF Cable Assemblies Technical Data Sheet

PE39324/HS-100CM

How to Order

Part Number Configuration:

PE39324/HS - xx uu

Unit of Measure:
cm = Centimeters
<blank> = Inches
Length
Base Number

Example: PE39324/HS-12 = 12 inches long cable
PE39324/HS-100cm = 100 cm long cable

SMA Male to BNC Female 4 Hole Flange Low Loss Cable 100 CM Length Using PE-C195 Coax from Pasternack Enterprises has same day shipment for domestic and International orders. Our RF, microwave and millimeter wave products maintain a 99.4% availability and are part of the broadest selection in the industry.

Click the following link (or enter part number in "SEARCH" on website) to obtain additional part information including price, inventory and certifications: [SMA Male to BNC Female 4 Hole Flange Low Loss Cable 100 CM Length Using PE-C195 Coax PE39324/HS-100CM](https://www.pasternack.com/sma-male-bnc-female-pe-c195-cable-assembly-pe39324-hs-100cm-p.aspx)

URL: <https://www.pasternack.com/sma-male-bnc-female-pe-c195-cable-assembly-pe39324-hs-100cm-p.aspx>

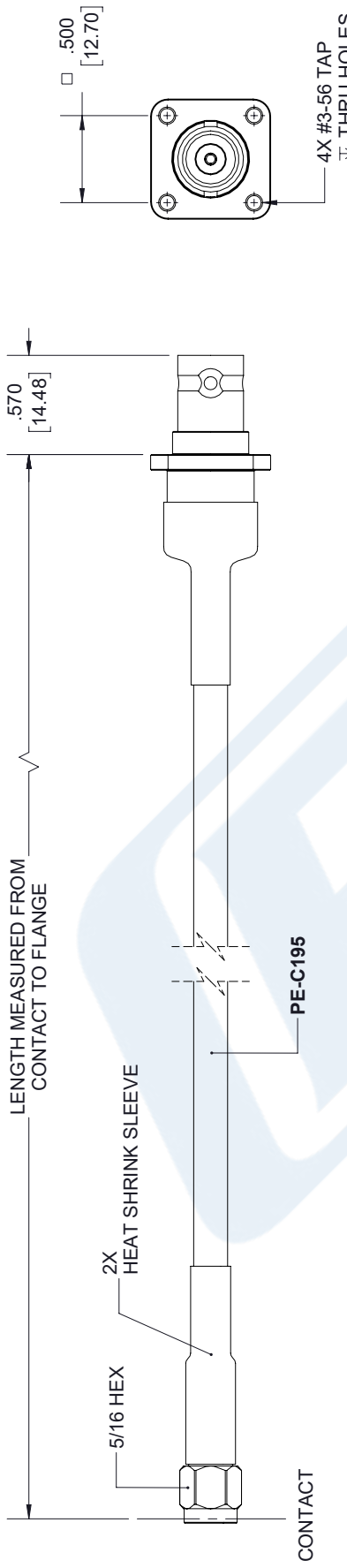
The information contained in this document is accurate to the best of our knowledge and representative of the part described herein. It may be necessary to make modifications to the part and/or the documentation of the part, in order to implement improvements. Pasternack reserves the right to make such changes as required. Unless otherwise stated, all specifications are nominal. Pasternack does not make any representation or warranty regarding the suitability of the part described herein for any particular purpose, and Pasternack does not assume any liability arising out of the use of any part or documentation.

PE39324/HS-100CM CAD Drawing

SMA Male to BNC Female 4 Hole Flange Low Loss Cable

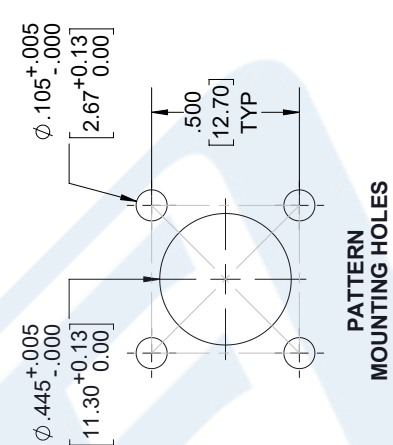
100 CM Length Using PE-C195 Coax

| REVISIONS | | | |
|-----------|-----------------|-----------|----------|
| REV. | DESCRIPTION | DATE | APPROVED |
| A | INITIAL RELEASE | 3/10/2020 | S. ELLIS |



**BNC FEMALE
4 HOLE FLANGE**

SMA MALE



**PATTERN
MOUNTING HOLES**

| | | | | | | | | | | | | | | | | | | | | | | | | | |
|---|----------------------------|-----------------|-----------|------------|-------|--------|--------------|-------|-------------|--------|-------|----------------|-------------------|--------|----------------|---------------------|--------|-----------------|----------------------|--------|-----------------|--------------------|--|----------------|--|
| <p>UNLESS OTHERWISE SPECIFIED LEADING DIMENSIONS ARE INCHES DIMENSIONS IN [] ARE MILLIMETERS</p> <p>TOLERANCES:</p> <table border="0"> <tr> <td>.X = ±.2</td> <td>[5.08]</td> <td>FRACTIONS</td> </tr> <tr> <td>.XX = ±.02</td> <td>[.51]</td> <td>± 1/32</td> </tr> <tr> <td>.XXX = ±.005</td> <td>[.13]</td> <td>ANGLES ± 1°</td> </tr> </table> <p>CABLE LENGTH (L) TOLERANCES:</p> <table border="0"> <tr> <td>L ≤ 12</td> <td>[305]</td> <td>= +1 [25] / -0</td> </tr> <tr> <td>12 [305] < L ≤ 60</td> <td>[1524]</td> <td>= +2 [51] / -0</td> </tr> <tr> <td>60 [1524] < L ≤ 120</td> <td>[3048]</td> <td>= +4 [102] / -0</td> </tr> <tr> <td>120 [3048] < L ≤ 300</td> <td>[7620]</td> <td>= +6 [152] / -0</td> </tr> <tr> <td>300 [7620] < L ≤ ∞</td> <td></td> <td>= +5% / L / -0</td> </tr> </table> <p>ALL DIMENSIONS SHOWN ARE FOR REFERENCE ONLY.</p> | .X = ±.2 | [5.08] | FRACTIONS | .XX = ±.02 | [.51] | ± 1/32 | .XXX = ±.005 | [.13] | ANGLES ± 1° | L ≤ 12 | [305] | = +1 [25] / -0 | 12 [305] < L ≤ 60 | [1524] | = +2 [51] / -0 | 60 [1524] < L ≤ 120 | [3048] | = +4 [102] / -0 | 120 [3048] < L ≤ 300 | [7620] | = +6 [152] / -0 | 300 [7620] < L ≤ ∞ | | = +5% / L / -0 | <p>THIRD-ANGLE PROJECTION</p> <p>THE INFORMATION AND DESIGN IN THIS DOCUMENT IS THE PROPERTY OF PASTERNAK CORPORATION ALL RIGHTS RESERVED.</p> <p>SHEET 1 OF 1</p> <p>SCALE N/A</p> |
| | .X = ±.2 | [5.08] | FRACTIONS | | | | | | | | | | | | | | | | | | | | | | |
| .XX = ±.02 | [.51] | ± 1/32 | | | | | | | | | | | | | | | | | | | | | | | |
| .XXX = ±.005 | [.13] | ANGLES ± 1° | | | | | | | | | | | | | | | | | | | | | | | |
| L ≤ 12 | [305] | = +1 [25] / -0 | | | | | | | | | | | | | | | | | | | | | | | |
| 12 [305] < L ≤ 60 | [1524] | = +2 [51] / -0 | | | | | | | | | | | | | | | | | | | | | | | |
| 60 [1524] < L ≤ 120 | [3048] | = +4 [102] / -0 | | | | | | | | | | | | | | | | | | | | | | | |
| 120 [3048] < L ≤ 300 | [7620] | = +6 [152] / -0 | | | | | | | | | | | | | | | | | | | | | | | |
| 300 [7620] < L ≤ ∞ | | = +5% / L / -0 | | | | | | | | | | | | | | | | | | | | | | | |
| <p>PE PASTERNAK an INFINIT® brand</p> <p>Pasternack Enterprises, Inc. P. O. Box 16759, Irvine, CA 92623. Phone: 1.949.261.1920 1.866.727.8376 Fax: 1.949.261.7451 Website: www.pasternack.com E-mail: sales@pasternack.com</p> | <p>ITEM NO. PE39324/HS</p> | | | | | | | | | | | | | | | | | | | | | | | | |

THESE COMMODITIES, TECHNOLOGY OR SOFTWARE WERE EXPORTED FROM THE UNITED STATES IN ACCORDANCE WITH THE EXPORT ADMINISTRATION REGULATIONS. DIVERSION CONTRARY TO U.S. LAW PROHIBITED.