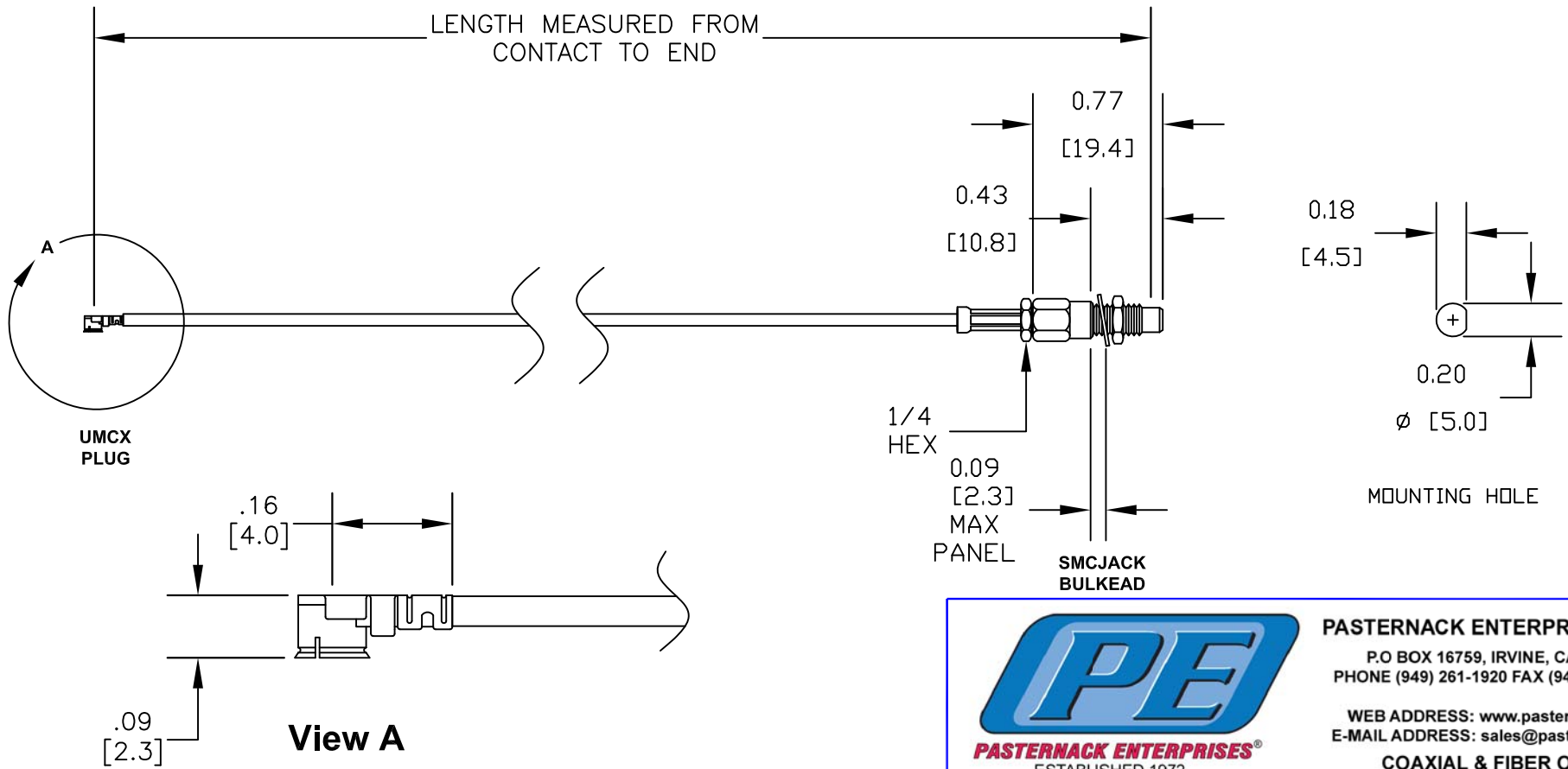


COMPONENTS	IMPEDANCE
UMCX PLUG	50 OHM
SMC JACK BULKHEAD	50 OHM
RG178B/U	50 OHM

Standard Lengths	
-6	6"
-12	12"
-18	18"
-XXX	Custom Length in inches
	(24" Max Length)



PE
PASTERNAK ENTERPRISES®
 ESTABLISHED 1972

PASTERNAK ENTERPRISES, INC.
 P.O BOX 16759, IRVINE, CA 92623
 PHONE (949) 261-1920 FAX (949) 261-7451

WEB ADDRESS: www.pasternack.com
 E-MAIL ADDRESS: sales@pasternack.com

COAXIAL & FIBER OPTICS

DWG TITLE PE39035-XX		DES. CABLE ASSEMBLY, RG178B/U, UMCX PLUG TO SMC JACK BULKHEAD			
REV. -	FSCM NO. 53919	CAD FILE 082411	SCALE N/A	SIZE A	2231

- NOTES:
- UNLESS OTHERWISE SPECIFIED ALL DIMENSIONS ARE NOMINAL.
 - ALL SPECIFICATIONS ARE SUBJECT TO CHANGE WITHOUT NOTICE AT ANY TIME.
 - DIMENSIONS ARE IN INCHES [mm].
 - LENGTH TOLERANCE IS ± 1.5% OR 3/8", WHICHEVER IS GREATER.