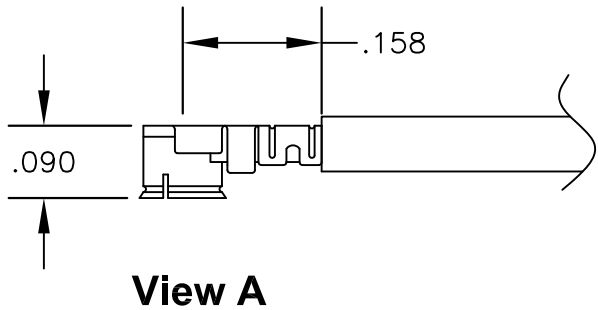
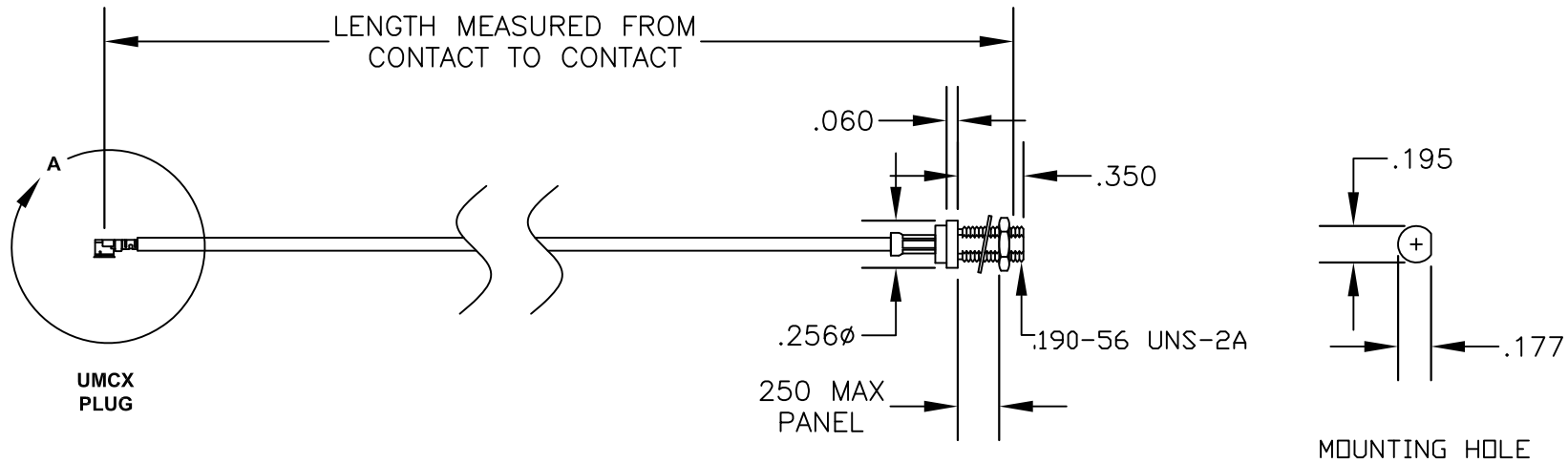


COMPONENTS	IMPEDANCE
UMCX PLUG	50 OHM
REVERSE POLARITY MCX JACK BULKHEAD	50 OHM
RG178B/U	50 OHM

Standard Lengths	
-3	3"
-6	6"
-9	9"
-12	12"
-18	18"
-24	24"
-XXX	Custom Length in inches
	(24" Max Length)



REVERSE POLARITY MCX JACK BULKHEAD



PASTERNACK ENTERPRISES, INC.
 P.O BOX 16759, IRVINE, CA 92623
 PHONE (949) 261-1920 FAX (949) 261-7451
 WEB ADDRESS: www.pasternack.com
 E-MAIL ADDRESS: sales@pasternack.com
COAXIAL & FIBER OPTICS

DWG TITLE PE38302-XX		DES. CABLE ASSEMBLY, UMCX PLUG TO REVERSE POLARITY MCX JACK BULKHEAD, RG178B/U			
REV. -	FSCM NO. 53919	CAD FILE 031408	SCALE N/A	SIZE A	127

UMCX connectors are similar to U.FL*
 *U.FL is a Registered Trademark of Hirose Electronic Group

- NOTES:
1. UNLESS OTHERWISE SPECIFIED ALL DIMENSIONS ARE NOMINAL.
 2. ALL SPECIFICATIONS ARE SUBJECT TO CHANGE WITHOUT NOTICE AT ANY TIME.
 3. DIMENSIONS ARE IN INCHES.
 4. LENGTH TOLERANCE IS $\pm 1.5\%$ OR $3/8"$, WHICHEVER IS GREATER.