



## SMA Female Bulkhead to UMCX Plug Cable 12 Inch Length Using 1.13mm Coax

### TECHNICAL DATA SHEET

PE38297-12

#### SMA Female Bulkhead to UMCX Plug Cable 12 Inch Length Using 1.13mm Coax

##### Configuration

|                           |                       |
|---------------------------|-----------------------|
| Connector 1               | SMA Female Bulkhead   |
| Connector 1 Specification | MIL-STD-348A          |
| Connector 2               | UMCX Plug Right Angle |
| Cable Type                | 1.13mm                |

##### Electrical Specifications

|  |         |
|--|---------|
| Frequency Range, GHz                       | DC to 3 |
| Impedance, Ohms                            | 50      |
| Maximum VSWR                               | 1.5:1   |
| Maximum Operating Voltage, Vrms            | 100     |
| Dielectric Withstanding Voltage (AC), Vrms | 200     |

##### Mechanical Specifications

###### Cable Assembly

|            |        |
|------------|--------|
| Cable Type | 1.13mm |
|------------|--------|

###### Temperature

|                                    |            |
|------------------------------------|------------|
| Temperature Operating Range, deg C | -40 to +90 |
|------------------------------------|------------|

###### Size

|                   |              |
|-------------------|--------------|
| Length, in [mm]   | 12 [304.8]   |
| Diameter, in [mm] | 0.044 [1.12] |
| Weight, lbs [g]   | 0.1 [45.36]  |

###### Cable

|                          |              |
|--------------------------|--------------|
| No of Shields            | 1            |
| Jacket Material          | FEP          |
| Jacket Diameter, in [mm] | 0.044 [1.12] |

###### Connector 1

|                                      |                        |
|--------------------------------------|------------------------|
| Type                                 | SMA Female Bulkhead    |
| Configuration                        | Straight               |
| Mount Method                         | Bulkhead               |
| Inner Conductor Material and Plating | Beryllium Copper, Gold |
| Body Material and Plating            | Brass, Gold            |
| Dielectric Type                      | Teflon                 |

###### Connector 2

|               |                       |
|---------------|-----------------------|
| Type          | UMCX Plug Right Angle |
| Configuration | Right Angle           |

Click the following link (or enter part number in "SEARCH" on website) to obtain additional part information including price, inventory and certifications: [SMA Female Bulkhead to UMCX Plug Cable 12 Inch Length Using 1.13mm Coax PE38297-12](#)

The information contained in this document is accurate to the best of our knowledge and representative of the part described herein. It may be necessary to make modifications to the part and/or the documentation of the part, in order to implement improvements. Pasternack reserves the right to make such changes as required. Unless otherwise stated, all specifications are nominal.



SMA Female Bulkhead to UMCX Plug Cable  
12 Inch Length Using 1.13mm Coax

TECHNICAL DATA SHEET

PE38297-12

Inner Conductor Material and Plating  
Body Material and Plating  
Dielectric Type

Phosphor Bronze, Gold  
Phosphor Bronze, Gold  
PBT

**Compliance Certifications** (visit [www.Pasternack.com](http://www.Pasternack.com) for current document)

**Plotted and Other Data**

Notes:

Values at 25 °C, sea level

SMA Female Bulkhead to UMCX Plug Cable 12 Inch Length Using 1.13mm Coax from Pasternack Enterprises has same day shipment for domestic and International orders. Our RF, microwave and fiber optic products maintain a 99% availability and are part of the broadest selection in the industry.

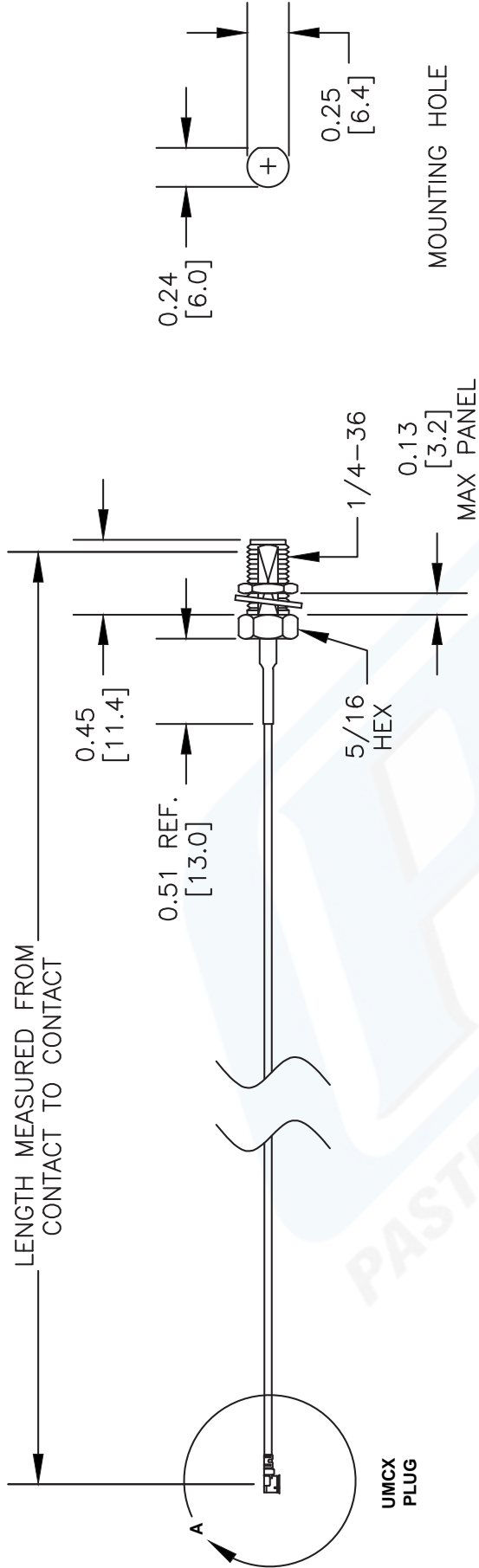
Click the following link (or enter part number in "SEARCH" on website) to obtain additional part information including price, inventory and certifications: [SMA Female Bulkhead to UMCX Plug Cable 12 Inch Length Using 1.13mm Coax PE38297-12](http://www.pasternack.com/sma-female-umcx-plug-1.13mm-cable-assembly-pe38297-12-p.aspx)

URL: <http://www.pasternack.com/sma-female-umcx-plug-1.13mm-cable-assembly-pe38297-12-p.aspx>

The information contained in this document is accurate to the best of our knowledge and representative of the part described herein. It may be necessary to make modifications to the part and/or the documentation of the part, in order to implement improvements. Pasternack reserves the right to make such changes as required. Unless otherwise stated, all specifications are nominal.

# PE38297-12 CAD Drawing

SMA Female Bulkhead to UMCX Plug Cable 12 Inch Length Using 1.13mm Coax



SMA FEMALE BULKHEAD

0.16 [4.0]

View A

UMCX connectors are similar to U.F.L.\*  
\*U.F.L. is a Registered Trademark of Hirose Electronic Group

| Part # Ext. | Length in Inches | Part # Ext. | Length in Centimeters |
|-------------|------------------|-------------|-----------------------|
| -6          | 6"               | -           | -                     |
| -12         | 12"              | -           | -                     |
| -18         | 18"              | -           | -                     |
| -XX         | Custom Length    | -           | -                     |
|             | 24" Max Length   | -           | -                     |
|             |                  | -XXCM       | Custom Length         |

DWG TITLE

PE38297

- NOTES:
1. UNLESS OTHERWISE SPECIFIED ALL DIMENSIONS ARE NOMINAL.
  2. ALL SPECIFICATIONS ARE SUBJECT TO CHANGE WITHOUT NOTICE AT ANY TIME.
  3. DIMENSIONS ARE IN INCHES (mm)
  4. LENGTH TOLERANCE IS ±1.5% OR 3/8", WHICHEVER IS GREATER.

**PE PASTERNAK®**

Pasternack Enterprises, Inc.  
P.O. Box 16759 | Irvine | CA | 92623  
Phone: (949) 261-1920 | Fax: (949) 261-7451  
Website: www.pasternack.com | E-Mail: sales@pasternack.com

REV. C FSCM NO. 53919 CAD FILE 040512 SCALE N/A SIZE A 2233