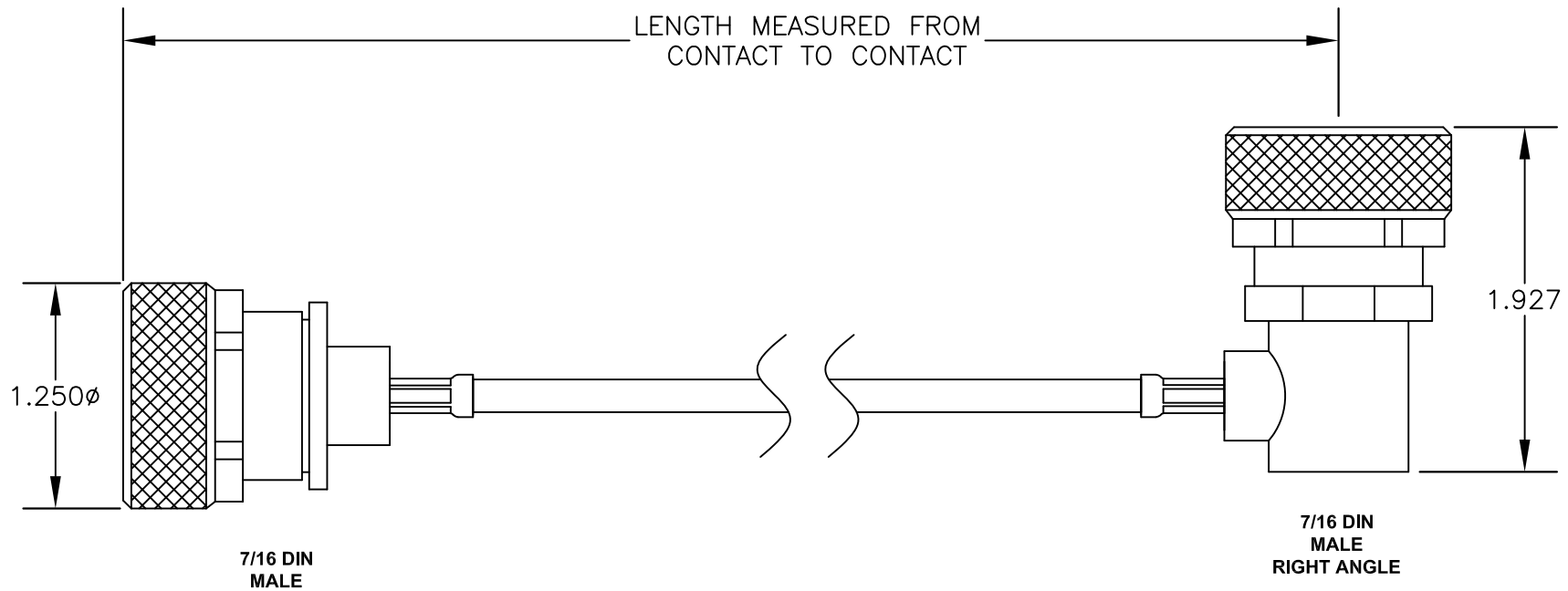



COMPONENTS	IMPEDANCE
7/16 DIN MALE	50 OHM
7/16 DIN MALE RIGHT ANGLE	50 OHM
PE-C195	50 OHM

Standard Lengths	
-36	36"
-48	48"
-60	60"
-72	72"
-120	120"
-XXX	Custom Length in Inches





PASTERNAK ENTERPRISES, INC.

P.O BOX 16759, IRVINE, CA 92623
PHONE (949) 261-1920 FAX (949) 261-7451

WEB ADDRESS: www.pasternack.com
E-MAIL ADDRESS: sales@pasternack.com

COAXIAL & FIBER OPTICS

DWG TITLE

PE37956-XX

DES. CABLE ASSEMBLY, PE-C195, 7/16 DIN MALE TO 7/16 DIN MALE RIGHT ANGLE

REV. B	FSCM NO. 53919	CAD FILE 122211	SCALE N/A	SIZE A	2233
--------	----------------	-----------------	-----------	--------	------

NOTES:

1. UNLESS OTHERWISE SPECIFIED ALL DIMENSIONS ARE NOMINAL.
2. ALL SPECIFICATIONS ARE SUBJECT TO CHANGE WITHOUT NOTICE AT ANY TIME.
3. DIMENSIONS ARE IN INCHES.
4. LENGTH TOLERANCE IS $\pm 1.5\%$ OR $3/8"$, WHICHEVER IS GREATER.