



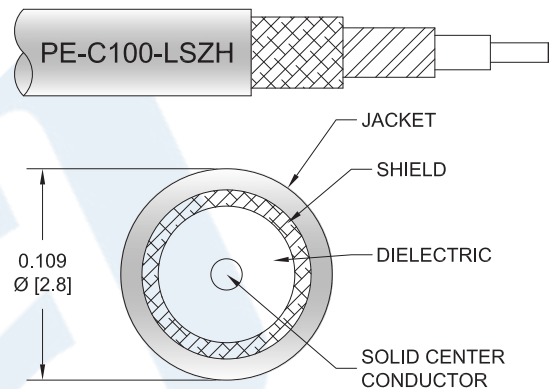
SMA Male to SMA Male Cable 60 Inch Length Using PE-C100-LSZH Coax

RF Cable Assemblies Technical Data Sheet

PE37908-60

**Configuration**

- Connector 1: SMA Male
- Connector 2: SMA Male
- Cable Type: PE-C100-LSZH



**Electrical Specifications**

Description	Minimum	Typical	Maximum	Units
Frequency Range	DC		6	GHz
VSWR			1.4:1	
Velocity of Propagation		66		%
RF Shielding	90			dB
Capacitance		30.8 [101.05]		pF/ft [pF/m]
Inductance		0.077 [0.25]		uH/ft [uH/m]
Operating Voltage (AC)			335	Vrms
Jacket Spark			2,000	Vrms

**Specifications by Frequency**

Description	F1	F2	F3	F4	F5	Units
Frequency	0.25	0.5	1	2.5		GHz
Insertion Loss (Typ.)	0.777	1.031	1.382	2.014		dB
VSWR (Max.)	1.4:1	1.4:1	1.4:1	1.4:1		
Return Loss (Max.)	15.56	15.563	15.563	15.563		dB

**Mechanical Specifications**

**Cable Assembly**

Length\* 60 in [152.4 cm]

Click the following link (or enter part number in "SEARCH" on website) to obtain additional part information including price, inventory and certifications: [SMA Male to SMA Male Cable 60 Inch Length Using PE-C100-LSZH Coax PE37908-60](#)





SMA Male to SMA Male Cable 60 Inch  
 Length Using PE-C100-LSZH Coax

RF Cable Assemblies Technical Data Sheet

PE37908-60

Diameter	0.312 in [7.92 mm]
Weight	0.026 lbs [11.79 g]
<b>Cable</b>	
Cable Type	PE-C100-LSZH
Impedance	50 Ohms
Inner Conductor Type	Solid
Inner Conductor Material and Plating	Copper Clad Steel
Dielectric Type	PE
Number of Shields	2
Shield Layer 1	Aluminum Tape
Shield Layer 2	Tinned Copper Braid
Jacket Material	LSZH, Black
Jacket Diameter	0.109 in [2.77 mm]
One Time Minimum Bend Radius	0.25 in [6.35 mm]
Repeated Minimum Bend Radius	1 in [25.4 mm]
Bending Moment	0.1 lbs-ft [0.14 N-m]
Flat Plate Crush	10 lbs/in [0.18 Kg/mm]
Tensile Strength	15 lbs [6.8 Kg]

**Connectors**

Description	Connector 1	Connector 2
Type	SMA Male	SMA Male
Specification	MIL-STD-348A	MIL-STD-348A
Impedance	50 Ohms	50 Ohms
Contact Material and Plating	Brass, Gold	Brass, Gold
Contact Plating Specification	30µ in. Minimum	30µ in. Minimum
Dielectric Type	PTFE	PTFE
Coupling Nut Material and Plating	Brass, Nickel	Brass, Nickel
Coupling Nut Plating Specification	100µ in. Minimum	100µ in. Minimum
Hex Size	5/16 in	5/16 in
Torque	5 in-lbs [0.57 Nm]	5 in-lbs [0.57 Nm]
Body Material and Plating	Brass, Nickel	Brass, Nickel
Body Plating Specification	100µ in. Minimum	100µ in. Minimum

Mechanical Specification Notes:

\*All cable assemblies have a length tolerance of 1.5% or ± 3/8", whichever is greater.

Click the following link (or enter part number in "SEARCH" on website) to obtain additional part information including price, inventory and certifications: [SMA Male to SMA Male Cable 60 Inch Length Using PE-C100-LSZH Coax PE37908-60](#)





SMA Male to SMA Male Cable 60 Inch  
Length Using PE-C100-LSZH Coax

RF Cable Assemblies Technical Data Sheet

PE37908-60

**Compliance Certifications** (see [product page](#) for current document)

**Plotted and Other Data**

Notes:

- Values at 25°C, sea level.

**How to Order**

Part Number Configuration:

**PE37908 - xx uu**

Unit of Measure:  
cm = Centimeters  
<blank> = Inches  
Length  
Base Number

Example: PE37908-12 = 12 inches long cable  
PE37908-100cm = 100 cm long cable

SMA Male to SMA Male Cable 60 Inch Length Using PE-C100-LSZH Coax from Pasternack Enterprises has same day shipment for domestic and International orders. Our RF, microwave and millimeter wave products maintain a 99% availability and are part of the broadest selection in the industry.

Click the following link (or enter part number in "SEARCH" on website) to obtain additional part information including price, inventory and certifications: [SMA Male to SMA Male Cable 60 Inch Length Using PE-C100-LSZH Coax PE37908-60](#)

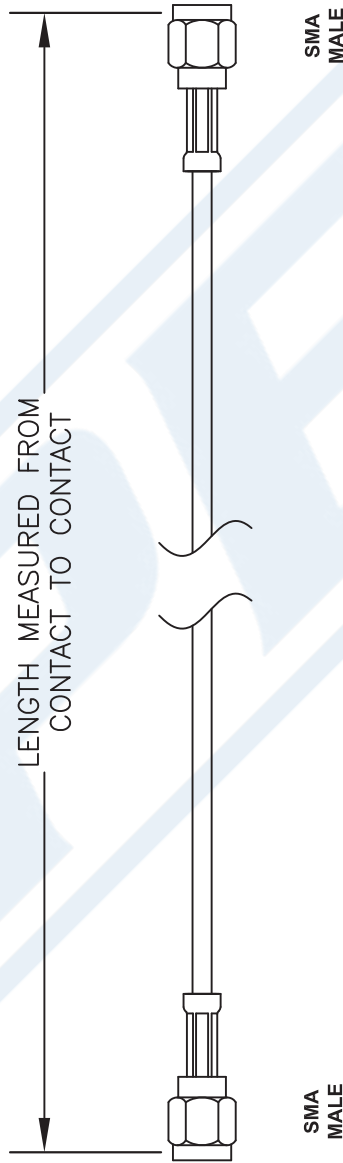
URL: <https://www.pasternack.com/sma-male-sma-male-pe-c100-cable-assembly-pe37908-60-p.aspx>

The information contained in this document is accurate to the best of our knowledge and representative of the part described herein. It may be necessary to make modifications to the part and/or the documentation of the part, in order to implement improvements. Pasternack reserves the right to make such changes as required. Unless otherwise stated, all specifications are nominal. Pasternack does not make any representation or warranty regarding the suitability of the part described herein for any particular purpose, and Pasternack does not assume any liability arising out of the use of any part or documentation.

# PE37908-60 CAD Drawing

SMA Male to SMA Male Cable 60 Inch Length Using PE-C100-LSZH Coax

Standard Lengths	
-12	12"
-24	24"
-36	36"
-48	48"
-60	60"
-XXX	Custom Length in Inches



NOTES:  
 1. UNLESS OTHERWISE SPECIFIED ALL DIMENSIONS ARE NOMINAL.  
 2. ALL SPECIFICATIONS ARE SUBJECT TO CHANGE WITHOUT NOTICE AT ANY TIME.  
 3. DIMENSIONS ARE IN INCHES (mm).  
 4. LENGTH TOLERANCE IS  $\pm 1.5\%$  OR  $3/8"$ , WHICHEVER IS GREATER.

DWG TITLE  
**PE37908-XX**

**PE PASTERNAK®**  
 Pasternack Enterprises, Inc.  
 P.O. Box 16759 | Irvine | CA | 92623  
**Phone:** (949) 261-1920 | **Fax:** (949) 261-7451  
**Website:** www.pasternack.com | **E-Mail:** sales@pasternack.com

REV. -	FSCM NO. 53919	CAD FILE 082411	SCALE N/A	SIZE A	2231
--------	----------------	-----------------	-----------	--------	------