



## 3.5mm Male to 3.5mm Male Test Cable 48 Inch Length Using PE-P160 Coax, RoHS

### RF Cable Assemblies Technical Data Sheet

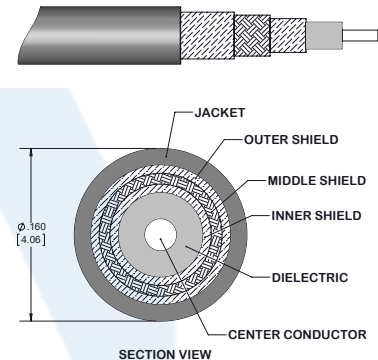
PE369-48

#### Configuration

- Connector 1: 3.5mm Male
- Connector 2: 3.5mm Male
- Cable Type: PE-P160

#### Features

- Max Frequency 34 GHz
- Shielding Effectivity > 90 dB
- 78% Phase Velocity
- Triple Shielded
- ETFE Jacket



#### Applications

- General Purpose
- Test & Measurement
- Laboratory Use

#### Description

Pasternack's PE369-48 3.5mm male to 3.5mm male test 48 inch cable using PE-P160 coax is part of our full line of RF components available for same-day shipping. Pasternack's flexible RF cable assemblies are ideal for applications where tight bends and flexure are required. This Pasternack 3.5mm to 3.5mm cable assembly has a male to male gender configuration with 50 ohm flexible PE-P160 coax. The PE369-48 3.5mm male to 3.5mm male cable assembly operates to 34 GHz. The triple shielding of this Pasternack cable assembly provides excellent shielding effectiveness of better than 90 dB.

Custom versions of most RF cable assemblies can be built and shipped same day. Custom cable assembly lengths can be obtained by specifying the desired length on the web site at time of order or by contacting a sales representative. Other available RF cable assembly value added services include connector orientation or clocking, heat shrink booting and custom labeling. RF testing can also be performed to document the electrical performance of your cable assembly.

#### Electrical Specifications

Description	Minimum	Typical	Maximum	Units
Frequency Range	DC		34	GHz
VSWR			1.4:1	
Velocity of Propagation		78		%
RF Shielding	90			dB
Capacitance		26 [85.3]		pF/ft [pF/m]
Inductance		66 [216.54]		uH/ft [uH/m]

Click the following link (or enter part number in "SEARCH" on website) to obtain additional part information including price, inventory and certifications: [3.5mm Male to 3.5mm Male Test Cable 48 Inch Length Using PE-P160 Coax, RoHS PE369-48](#)



3.5mm Male to 3.5mm Male Test Cable 48 Inch Length Using PE-P160 Coax, RoHS

RF Cable Assemblies Technical Data Sheet

PE369-48

**Specifications by Frequency**

Description	F1	F2	F3	F4	F5	Units
Frequency	2.5	5	10	18	34	GHz
Insertion Loss (Max.)	1.12	1.52	2.12	2.84	4.12	dB

**Mechanical Specifications**

**Cable Assembly**

Length*	48 in [121.92 cm]
Diameter	0.33 in [8.38 mm]
Weight	0.15 lbs [68.04 g]

**Cable**

Cable Type	PE-P160
Impedance	50 Ohms
Inner Conductor Type	Solid
Inner Conductor Material and Plating	Copper, Silver
Dielectric Type	PTFE
Number of Shields	3
Shield Layer 1	Silver Plated Copper
Shield Layer 2	Aluminum Tape
Shield Layer 3	Silver Plated Copper
Jacket Material	ETFE, Gray
Jacket Diameter	0.16 in [4.06 mm]
One Time Minimum Bend Radius	0.8 in [20.32 mm]
Typical Flex Cycles	10,000

Click the following link (or enter part number in "SEARCH" on website) to obtain additional part information including price, inventory and certifications: [3.5mm Male to 3.5mm Male Test Cable 48 Inch Length Using PE-P160 Coax, RoHS PE369-48](#)



## 3.5mm Male to 3.5mm Male Test Cable 48 Inch Length Using PE-P160 Coax, RoHS

### RF Cable Assemblies Technical Data Sheet

PE369-48

#### Connectors

Description	Connector 1	Connector 2
Type	3.5mm Male	3.5mm Male
Impedance	50 Ohms	50 Ohms
Contact Material and Plating	Beryllium Copper, Gold	Beryllium Copper, Gold
Contact Plating Specification	ASTM-B488 50µ In. Minimum	ASTM-B488 50µ In. Minimum
Dielectric Type	PCTFE	PCTFE
Body Material and Plating	Passivated Stainless Steel	Passivated Stainless Steel
Body Plating Specification	SAE-AMS-2700	SAE-AMS-2700
Coupling Nut Material and Plating	Passivated Stainless Steel	Passivated Stainless Steel
Coupling Nut Plating Specification	SAE-AMS-2700	SAE-AMS-2700
Hex Size	5/16 Inch	5/16 Inch
Torque	8 in-lbs [0.9 Nm]	8 in-lbs [0.9 Nm]

#### Mechanical Specification Notes:

\*All cable assemblies have a length tolerance of 1.5% or  $\pm 3/8$ ", whichever is greater.

#### Environmental Specifications

##### Temperature

Operating Range -45 to +125 deg C

#### Compliance Certifications (see [product page](#) for current document)

#### Plotted and Other Data

##### Notes:

- Values at 25°C, sea level.

Click the following link (or enter part number in "SEARCH" on website) to obtain additional part information including price, inventory and certifications: [3.5mm Male to 3.5mm Male Test Cable 48 Inch Length Using PE-P160 Coax, RoHS PE369-48](#)



3.5mm Male to 3.5mm Male Test Cable 48 Inch Length Using PE-P160 Coax, RoHS

RF Cable Assemblies Technical Data Sheet

PE369-48

**How to Order**

Part Number Configuration:

**PE369 - xx uu**

Unit of Measure:  
cm = Centimeters  
<blank> = Inches  
Length  
Base Number

Example: PE369-12 = 12 inches long cable  
PE369-100cm = 100 cm long cable

3.5mm Male to 3.5mm Male Test Cable 48 Inch Length Using PE-P160 Coax, RoHS from Pasternack Enterprises has same day shipment for domestic and International orders. Our RF, microwave and millimeter wave products maintain a 99.4% availability and are part of the broadest selection in the industry.

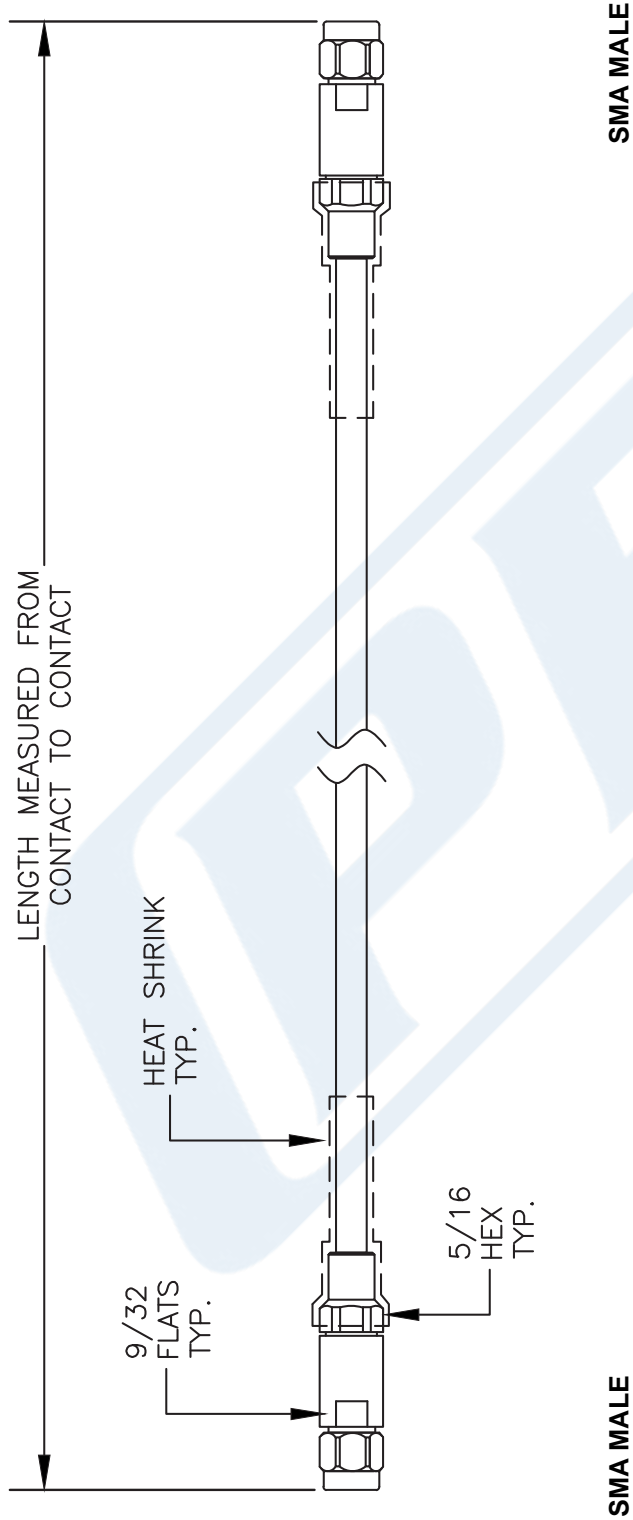
Click the following link (or enter part number in "SEARCH" on website) to obtain additional part information including price, inventory and certifications: [3.5mm Male to 3.5mm Male Test Cable 48 Inch Length Using PE-P160 Coax, RoHS PE369-48](https://www.pasternack.com/3.5mm-male-3.5mm-male-pe-p160-cable-assembly-pe369-48-p.aspx)

URL: <https://www.pasternack.com/3.5mm-male-3.5mm-male-pe-p160-cable-assembly-pe369-48-p.aspx>

The information contained in this document is accurate to the best of our knowledge and representative of the part described herein. It may be necessary to make modifications to the part and/or the documentation of the part, in order to implement improvements. Pasternack reserves the right to make such changes as required. Unless otherwise stated, all specifications are nominal. Pasternack does not make any representation or warranty regarding the suitability of the part described herein for any particular purpose, and Pasternack does not assume any liability arising out of the use of any part or documentation.

# PE369-48 CAD Drawing

3.5mm Male to 3.5mm Male Test Cable 48 Inch Length Using PE-P160 Coax, RoHS



SMA MALE

SMA MALE

Part Number Configuration		How To Order	
PE3	zzz yy - xx uu	Part # Ext.	Length In Inches
00 - 99999		-12	12"
LF = RoHS Compliant		-24	24"
< Blank > = Standard		-36	36"
Note: LF applies only to RF cables		-48	48"
		-60	60"
		-xx	Custom Length
		Part # Ext.	Length In Centimeters
		-25CM	25Cm
		-50CM	50Cm
		-75CM	75Cm
		-100CM	100Cm
		-125CM	125Cm
		-xxCM	Custom Length

**PE PASTERNAK®**  
 Pasternack Enterprises, Inc.  
 P.O. Box 16759 | Irvine | CA | 92623  
**Phone:** (949) 261-1920 | **Fax:** (949) 261-7451  
**Website:** www.pasternack.com | **E-Mail:** sales@pasternack.com

DWG TITLE  
**PE369**  
**FSCM NO. 53919**  
 CAD FILE 061213  
 SCALE N/A  
 SIZE A  
 2233

NOTES:  
 1. UNLESS OTHERWISE SPECIFIED ALL DIMENSIONS ARE NOMINAL.  
 2. ALL SPECIFICATIONS ARE SUBJECT TO CHANGE WITHOUT NOTICE AT ANY TIME.  
 3. DIMENSIONS ARE IN INCHES [mm].  
 4. LENGTH TOLERANCE IS ± 1.5% OR 3/8", WHICHEVER IS GREATER.