



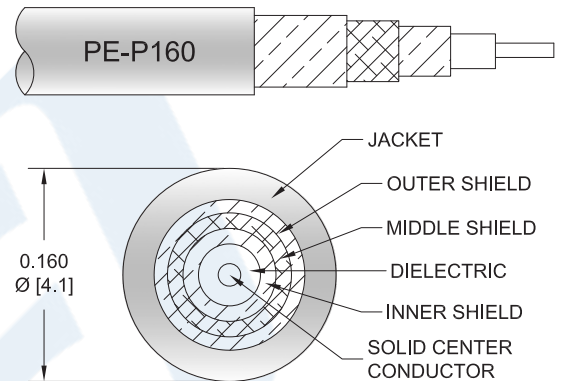
2.4mm Male to 2.4mm Female Test Cable Using PE-P160 Coax

RF Cable Assemblies Technical Data Sheet

PE364

Configuration

- Connector 1: 2.4mm Male
- Connector 2: 2.4mm Female
- Cable Type: PE-P160



Electrical Specifications

| Description | Minimum | Typical | Maximum | Units |
|-------------------------|---------|-------------|---------|--------------|
| Frequency Range | DC | | 40 | GHz |
| VSWR | | | 1.4:1 | |
| Velocity of Propagation | | 78 | | % |
| RF Shielding | 90 | | | dB |
| Capacitance | | 26 [85.3] | | pF/ft [pF/m] |
| Inductance | | 66 [216.54] | | uH/ft [uH/m] |

Specifications by Frequency

| Description | F1 | F2 | F3 | F4 | F5 | Units |
|-----------------------|--------|--------|--------|--------|--------|--------|
| Frequency | 2.5 | 5 | 10 | 20 | 40 | GHz |
| Insertion Loss (Max.) | 0.23 | 0.33 | 0.49 | 0.71 | 1.07 | dB/ft |
| | [0.75] | [1.08] | [1.61] | [2.33] | [3.51] | [dB/m] |

Electrical Specification Notes:

Insertion Loss does not include the loss of the connectors. Insertion Loss is estimated as $.03 \times \text{square root (FGHz)}$ dB per connector.

Mechanical Specifications

Cable Assembly

Diameter

0.33 in [8.38 mm]

Click the following link (or enter part number in "SEARCH" on website) to obtain additional part information including price, inventory and certifications: [2.4mm Male to 2.4mm Female Test Cable Using PE-P160 Coax PE364](#)



2.4mm Male to 2.4mm Female Test Cable Using PE-P160 Coax

RF Cable Assemblies Technical Data Sheet

PE364

Weight 0.05 lbs [22.68 g]

Cable

Cable Type PE-P160
 Impedance 50 Ohms
 Inner Conductor Type Solid
 Inner Conductor Material and Plating Copper, Silver
 Dielectric Type PTFE
 Number of Shields 3
 Shield Layer 1 Silver Plated Copper
 Shield Layer 2 Aluminum Tape
 Shield Layer 3 Silver Plated Copper
 Jacket Material ETFE, Gray
 Jacket Diameter 0.16 in [4.06 mm]

One Time Minimum Bend Radius 0.8 in [20.32 mm]
 Typical Flex Cycles 10,000

Connectors

| Description | Connector 1 | Connector 2 |
|---------------------------------------|----------------------------|----------------------------|
| Type | 2.4mm Male | 2.4mm Female |
| Specification | | IEEE-STD-P287 |
| Impedance | 50 Ohms | 50 Ohms |
| Contact Material and Plating | Beryllium Copper, Gold | Beryllium Copper, Gold |
| Contact Plating Specification | ASTM-B488 50µ In. Minimum | ASTM-B488 50µ In. Minimum |
| Dielectric Type | PEI | PEI |
| Outer Conductor Material and Plating | | Passivated Stainless Steel |
| Outer Conductor Plating Specification | | SAE-AMS-2700 |
| Coupling Nut Material and Plating | Passivated Stainless Steel | |
| Coupling Nut Plating Specification | SAE-AMS-2700 | |
| Hex Size | 5/16 Inch | |
| Torque | 8 in-lbs [0.9 Nm] | |
| Body Material and Plating | Passivated Stainless Steel | Passivated Stainless Steel |
| Body Plating Specification | SAE-AMS-2700 | SAE-AMS-2700 |

Environmental Specifications

Temperature

Operating Range -45 to +125 deg C

Compliance Certifications (visit www.Pasternack.com for current document)

For RoHS Compliant version, use PE364LF. Contact Pasternack if product cannot be found.

Click the following link (or enter part number in "SEARCH" on website) to obtain additional part information including price, inventory and certifications: [2.4mm Male to 2.4mm Female Test Cable Using PE-P160 Coax PE364](#)



2.4mm Male to 2.4mm Female Test Cable Using PE-P160 Coax

RF Cable Assemblies Technical Data Sheet

PE364

Plotted and Other Data

Notes:

- Values at 25°C, sea level.

How to Order

Part Number Configuration:

PE364 - xx uu

Unit of Measure:
cm = Centimeters
<blank> = Inches
Length
Base Number

Example: PE364-12 = 12 inches long cable
PE364-100cm = 100 cm long cable

2.4mm Male to 2.4mm Female Test Cable Using PE-P160 Coax from Pasternack Enterprises has same day shipment for domestic and International orders. Our RF, microwave and millimeter wave products maintain a 99% availability and are part of the broadest selection in the industry.

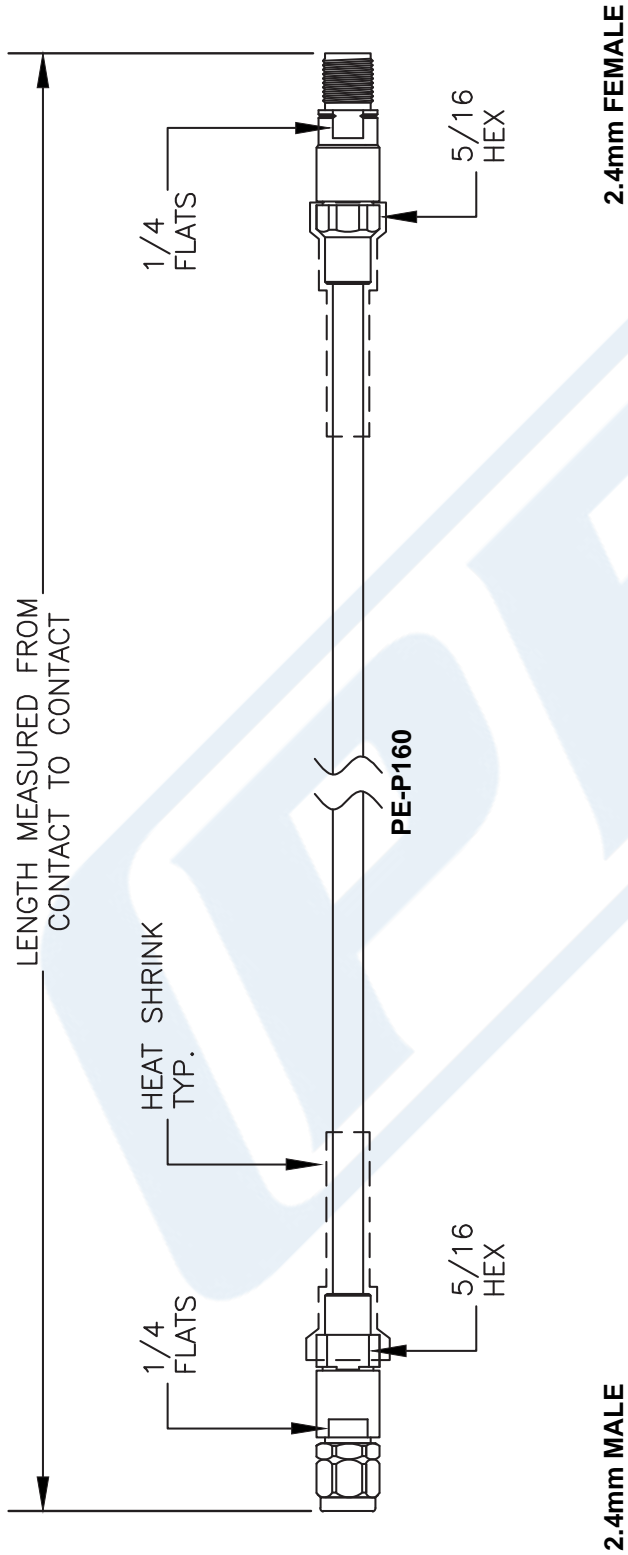
Click the following link (or enter part number in "SEARCH" on website) to obtain additional part information including price, inventory and certifications: [2.4mm Male to 2.4mm Female Test Cable Using PE-P160 Coax PE364](#)

URL: <http://www.pasternack.com/2.4mm-male-2.4mm-female-pe-p160-cable-assembly-pe364-p.aspx>

The information contained in this document is accurate to the best of our knowledge and representative of the part described herein. It may be necessary to make modifications to the part and/or the documentation of the part, in order to implement improvements. Pasternack reserves the right to make such changes as required. Unless otherwise stated, all specifications are nominal. Pasternack does not make any representation or warranty regarding the suitability of the part described herein for any particular purpose, and Pasternack does not assume any liability arising out of the use of any part or documentation.

PE364 CAD Drawing

2.4mm Male to 2.4mm Female Test Cable Using PE-P160 Coax



| How To Order | | Part # Ext. | Length In Inches | Part # Ext. | Length In Centimeters |
|------------------------------------|--|-------------|------------------|-------------|-----------------------|
| Part Number Configuration | | -12 | 12" | -25CM | 25Cm |
| PE3 | zzz yy - xx uu | -24 | 24" | -50CM | 50Cm |
| 00 - 99999 | | -36 | 36" | -75CM | 75Cm |
| LF = RoHS Compliant | | -48 | 48" | -100CM | 100Cm |
| < Blank > = Standard | | -60 | 60" | -125CM | 125Cm |
| Note: LF applies only to RF cables | CM = Centimeters < Blank > = Inches Length | -xx | Custom Length | -xxCM | Custom Length |

NOTES:
 1. UNLESS OTHERWISE SPECIFIED ALL DIMENSIONS ARE NOMINAL.
 2. ALL SPECIFICATIONS ARE SUBJECT TO CHANGE WITHOUT NOTICE AT ANY TIME.
 3. DIMENSIONS ARE IN INCHES [mm].
 4. LENGTH TOLERANCE IS ± 1.5% OR 3/8", WHICHEVER IS GREATER.

DWG TITLE
PE364

PE PASTERNAK®
 Pasternack Enterprises, Inc.
 P.O. Box 16759 | Irvine | CA | 92623
 Phone: (949) 261-1920 | Fax: (949) 261-7451
 Website: www.pasternack.com | E-Mail: sales@pasternack.com

| | | | | |
|----------------|-----------------|-----------|--------|------|
| FSCM NO. 53919 | CAD FILE 061213 | SCALE N/A | SIZE A | 2233 |
|----------------|-----------------|-----------|--------|------|