



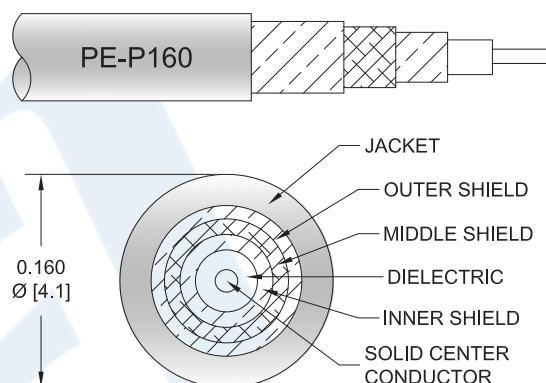
2.4mm Male to 2.4mm Female Test Cable
48 Inch Length Using PE-P160 Coax

RF Cable Assemblies Technical Data Sheet

PE364-48

Configuration

- Connector 1: 2.4mm Male
- Connector 2: 2.4mm Female
- Cable Type: PE-P160



Electrical Specifications

Description	Minimum	Typical	Maximum	Units
Frequency Range	DC		40	GHz
VSWR			1.4:1	
Velocity of Propagation		78		%
RF Shielding	90			dB
Capacitance		26 [85.3]		pF/ft [pF/m]
Inductance		66 [216.54]		uH/ft [uH/m]

Specifications by Frequency

Description	F1	F2	F3	F4	F5	Units
Frequency	2.5	5	10	20	40	GHz
Insertion Loss (Max.)	0.97	1.38	2.05	2.97	4.47	dB
VSWR (Max.)	1.35:1	1.35:1	1.35:1	1.35:1	1.4:1	

Mechanical Specifications

Cable Assembly

Length	48 in [121.92 cm]
Diameter	0.33 in [8.38 mm]
Weight	0.15 lbs [68.04 g]

Click the following link (or enter part number in "SEARCH" on website) to obtain additional part information including price, inventory and certifications: [2.4mm Male to 2.4mm Female Test Cable 48 Inch Length Using PE-P160 Coax PE364-48](#)



2.4mm Male to 2.4mm Female Test Cable 48 Inch Length Using PE-P160 Coax

RF Cable Assemblies Technical Data Sheet

PE364-48

Cable

Cable Type	PE-P160
Impedance	50 Ohms
Inner Conductor Type	Solid
Inner Conductor Material and Plating	Copper, Silver
Dielectric Type	PTFE
Number of Shields	3
Shield Layer 1	Silver Plated Copper
Shield Layer 2	Aluminum Tape
Shield Layer 3	Silver Plated Copper
Jacket Material	ETFE, Gray
Jacket Diameter	0.16 in [4.06 mm]
One Time Minimum Bend Radius	0.8 in [20.32 mm]
Typical Flex Cycles	10,000

Connectors

Description	Connector 1	Connector 2
Type	2.4mm Male	2.4mm Female
Specification		IEEE-STD-P287
Impedance	50 Ohms	50 Ohms
Contact Material and Plating	Beryllium Copper, Gold	Beryllium Copper, Gold
Contact Plating Specification	ASTM-B488 50µ In. Minimum	ASTM-B488 50µ In. Minimum
Dielectric Type	PEI	PEI
Outer Conductor Material and Plating		Passivated Stainless Steel
Outer Conductor Plating Specification		SAE-AMS-2700
Coupling Nut Material and Plating	Passivated Stainless Steel	
Coupling Nut Plating Specification	SAE-AMS-2700	
Hex Size	5/16 Inch	
Torque	8 in-lbs [0.9 Nm]	
Body Material and Plating	Passivated Stainless Steel	Passivated Stainless Steel
Body Plating Specification	SAE-AMS-2700	SAE-AMS-2700

Environmental Specifications

Temperature

Operating Range -45 to +125 deg C

Compliance Certifications (visit www.Pasternack.com for current document)

For RoHS Compliant version, use PE364LF-48. Contact Pasternack if product cannot be found.

Click the following link (or enter part number in "SEARCH" on website) to obtain additional part information including price, inventory and certifications: [2.4mm Male to 2.4mm Female Test Cable 48 Inch Length Using PE-P160 Coax PE364-48](#)



2.4mm Male to 2.4mm Female Test Cable
48 Inch Length Using PE-P160 Coax

RF Cable Assemblies Technical Data Sheet

PE364-48

Plotted and Other Data

Notes:

- Values at 25°C, sea level.

How to Order

Part Number Configuration:

PE364 - xx uu

Unit of Measure:
cm = Centimeters
<blank> = Inches
Length
Base Number

Example: PE364-12 = 12 inches long cable
PE364-100cm = 100 cm long cable

2.4mm Male to 2.4mm Female Test Cable 48 Inch Length Using PE-P160 Coax from Pasternack Enterprises has same day shipment for domestic and International orders. Our RF, microwave and millimeter wave products maintain a 99% availability and are part of the broadest selection in the industry.

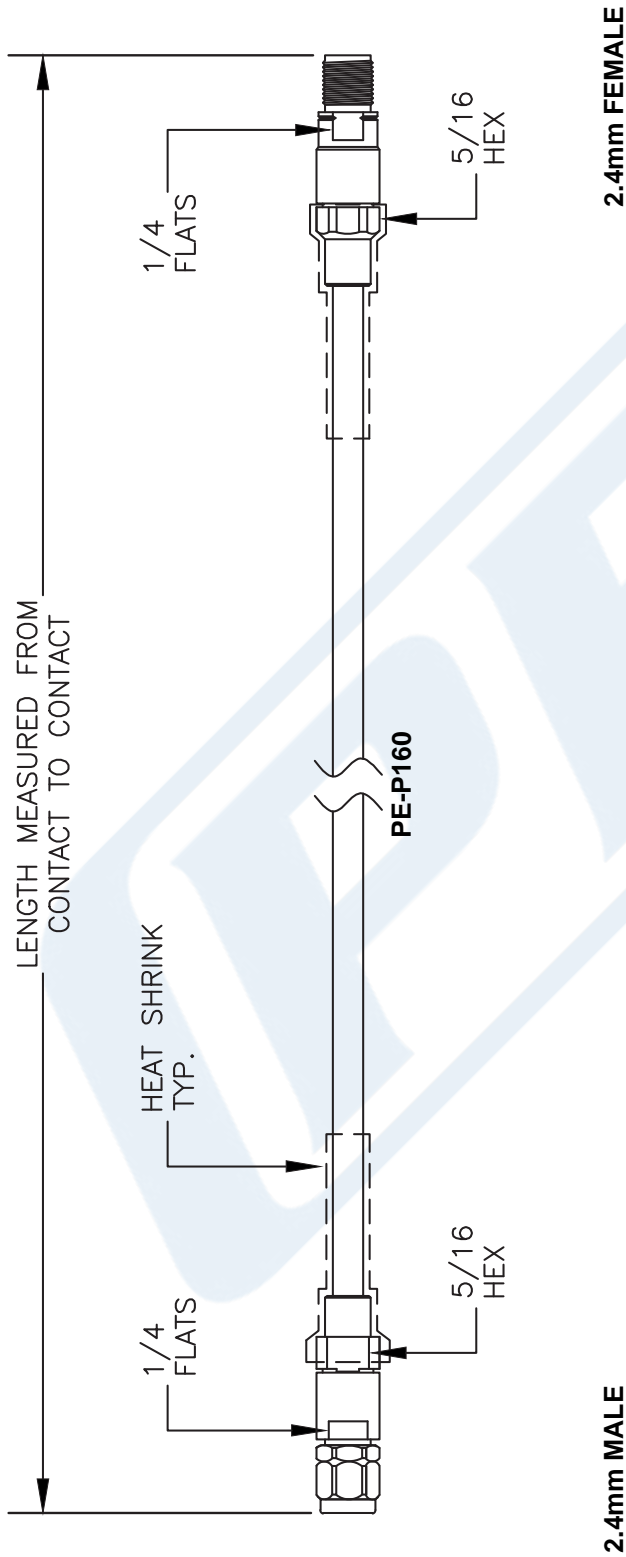
Click the following link (or enter part number in "SEARCH" on website) to obtain additional part information including price, inventory and certifications: [2.4mm Male to 2.4mm Female Test Cable 48 Inch Length Using PE-P160 Coax PE364-48](#)

URL: <http://www.pasternack.com/2.4mm-male-2.4mm-female-pe-p160-cable-assembly-pe364-48-p.aspx>

The information contained in this document is accurate to the best of our knowledge and representative of the part described herein. It may be necessary to make modifications to the part and/or the documentation of the part, in order to implement improvements. Pasternack reserves the right to make such changes as required. Unless otherwise stated, all specifications are nominal. Pasternack does not make any representation or warranty regarding the suitability of the part described herein for any particular purpose, and Pasternack does not assume any liability arising out of the use of any part or documentation.

PE364-48 CAD Drawing

2.4mm Male to 2.4mm Female Test Cable 48 Inch Length Using PE-P160 Coax



How To Order		Part # Ext.	Length In Inches	Part # Ext.	Length In Centimeters
Part Number Configuration		-12	12"	-25CM	25Cm
PE3	zzz yy - xx uu	-24	24"	-50CM	50Cm
00 - 99999		-36	36"	-75CM	75Cm
LF = RoHS Compliant		-48	48"	-100CM	100Cm
< Blank > = Standard		-60	60"	-125CM	125Cm
Note: LF applies only to RF cables	CM = Centimeters < Blank > = Inches Length	-xx	Custom Length	-xxCM	Custom Length

NOTES:
 1. UNLESS OTHERWISE SPECIFIED ALL DIMENSIONS ARE NOMINAL.
 2. ALL SPECIFICATIONS ARE SUBJECT TO CHANGE WITHOUT NOTICE AT ANY TIME.
 3. DIMENSIONS ARE IN INCHES [mm].
 4. LENGTH TOLERANCE IS ± 1.5% OR 3/8", WHICHEVER IS GREATER.

DWG TITLE
PE364

PE PASTERNAK®
 Pasternack Enterprises, Inc.
 P.O. Box 16759 | Irvine | CA | 92623
 Phone: (949) 261-1920 | Fax: (949) 261-7451
 Website: www.pasternack.com | E-Mail: sales@pasternack.com

FSCM NO. 53919	CAD FILE 061213	SCALE N/A	SIZE A	2233
----------------	-----------------	-----------	--------	------