



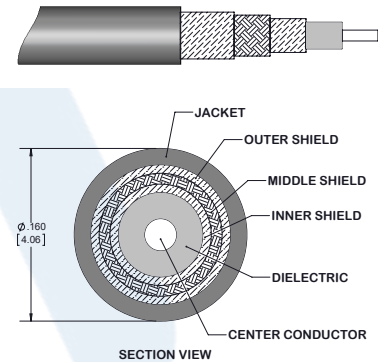
2.4mm Male to 2.4mm Male Test Cable
150 CM Length Using PE-P160 Coax

RF Cable Assemblies Technical Data Sheet

PE363-150CM

Configuration

- Connector 1: 2.4mm Male
- Connector 2: 2.4mm Male
- Cable Type: PE-P160



Electrical Specifications

| Description | Minimum | Typical | Maximum | Units |
|-------------------------|---------|-------------|---------|--------------|
| Frequency Range | DC | | 40 | GHz |
| VSWR | | | 1.4:1 | |
| Velocity of Propagation | | 78 | | % |
| RF Shielding | 90 | | | dB |
| Capacitance | | 26 [85.3] | | pF/ft [pF/m] |
| Inductance | | 66 [216.54] | | uH/ft [uH/m] |

Specifications by Frequency

| Description | F1 | F2 | F3 | F4 | F5 | Units |
|-----------------------|------|------|------|------|------|-------|
| Frequency | 2.5 | 5 | 10 | 20 | 40 | GHz |
| Insertion Loss (Max.) | 1.17 | 1.68 | 2.49 | 3.61 | 5.43 | dB |
| Insertion Loss (Typ.) | 0.97 | 1.48 | 2.19 | 3.26 | 4.94 | dB |

Mechanical Specifications

Cable Assembly

| | |
|----------|--------------------|
| Length* | 59.055 in [150 cm] |
| Diameter | 0.33 in [8.38 mm] |

Click the following link (or enter part number in "SEARCH" on website) to obtain additional part information including price, inventory and certifications: [2.4mm Male to 2.4mm Male Test Cable 150 CM Length Using PE-P160 Coax PE363-150CM](#)



2.4mm Male to 2.4mm Male Test Cable
150 CM Length Using PE-P160 Coax

RF Cable Assemblies Technical Data Sheet

PE363-150CM

| | |
|--------------------------------------|----------------------|
| Weight | 0.221 lbs [100.24 g] |
| Cable | |
| Cable Type | PE-P160 |
| Impedance | 50 Ohms |
| Inner Conductor Type | Solid |
| Inner Conductor Material and Plating | Copper, Silver |
| Dielectric Type | PTFE |
| Number of Shields | 3 |
| Shield Layer 1 | Silver Plated Copper |
| Shield Layer 2 | Aluminum Tape |
| Shield Layer 3 | Silver Plated Copper |
| Jacket Material | ETFE, Gray |
| Jacket Diameter | 0.16 in [4.06 mm] |
| One Time Minimum Bend Radius | 0.8 in [20.32 mm] |
| Typical Flex Cycles | 10,000 |

Connectors

| Description | Connector 1 | Connector 2 |
|------------------------------------|----------------------------|----------------------------|
| Type | 2.4mm Male | 2.4mm Male |
| Impedance | 50 Ohms | 50 Ohms |
| Contact Material and Plating | Beryllium Copper, Gold | Beryllium Copper, Gold |
| Contact Plating Specification | ASTM-B488 50µ In. Minimum | ASTM-B488 50µ In. Minimum |
| Dielectric Type | PEI | PEI |
| Body Material and Plating | Passivated Stainless Steel | Passivated Stainless Steel |
| Body Plating Specification | SAE-AMS-2700 | SAE-AMS-2700 |
| Coupling Nut Material and Plating | Passivated Stainless Steel | Passivated Stainless Steel |
| Coupling Nut Plating Specification | SAE-AMS-2700 | SAE-AMS-2700 |
| Hex Size | 5/16 Inch | 5/16 Inch |
| Torque | 8 in-lbs [0.9 Nm] | 8 in-lbs [0.9 Nm] |

Mechanical Specification Notes:

*All cable assemblies have a length tolerance of 1.5% or ± 3/8", whichever is greater.

Environmental Specifications

Temperature

Operating Range -45 to +125 deg C

Click the following link (or enter part number in "SEARCH" on website) to obtain additional part information including price, inventory and certifications: [2.4mm Male to 2.4mm Male Test Cable 150 CM Length Using PE-P160 Coax PE363-150CM](#)



2.4mm Male to 2.4mm Male Test Cable
150 CM Length Using PE-P160 Coax

RF Cable Assemblies Technical Data Sheet

PE363-150CM

Compliance Certifications (see [product page](#) for current document)

Plotted and Other Data

Notes:

- Values at 25°C, sea level.

How to Order

Part Number Configuration:

PE363 - xx uu

Unit of Measure:
cm = Centimeters
<blank> = Inches
Length
Base Number

Example: PE363-12 = 12 inches long cable
PE363-100cm = 100 cm long cable

2.4mm Male to 2.4mm Male Test Cable 150 CM Length Using PE-P160 Coax from Pasternack Enterprises has same day shipment for domestic and International orders. Our RF, microwave and millimeter wave products maintain a 99.4% availability and are part of the broadest selection in the industry.

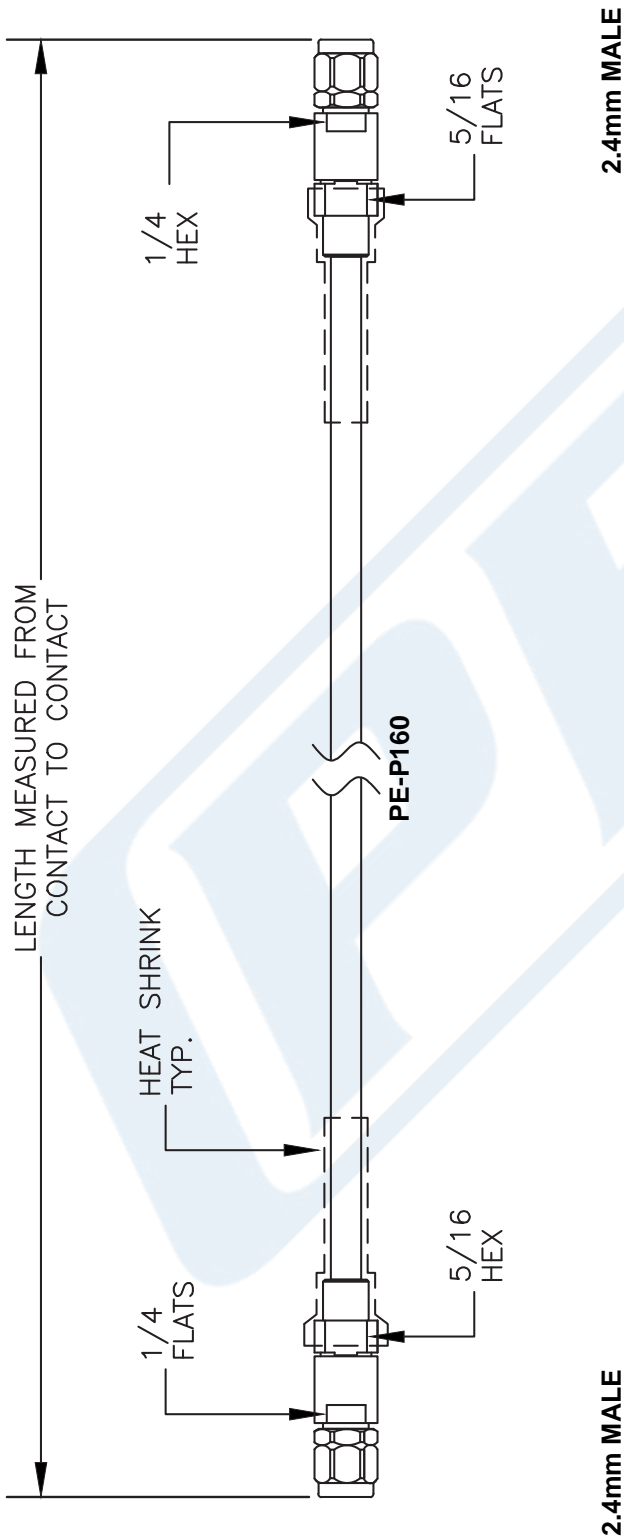
Click the following link (or enter part number in "SEARCH" on website) to obtain additional part information including price, inventory and certifications: [2.4mm Male to 2.4mm Male Test Cable 150 CM Length Using PE-P160 Coax PE363-150CM](#)

URL: <https://www.pasternack.com/2.4mm-male-2.4mm-male-pe-p160-cable-assembly-pe363-150cm-p.aspx>

The information contained in this document is accurate to the best of our knowledge and representative of the part described herein. It may be necessary to make modifications to the part and/or the documentation of the part, in order to implement improvements. Pasternack reserves the right to make such changes as required. Unless otherwise stated, all specifications are nominal. Pasternack does not make any representation or warranty regarding the suitability of the part described herein for any particular purpose, and Pasternack does not assume any liability arising out of the use of any part or documentation.

PE363-150CM CAD Drawing

2.4mm Male to 2.4mm Male Test Cable 150 CM Length Using PE-P160 Coax



| How To Order | | Part # Ext. | Length In Inches | Part # Ext. | Length In Centimeters |
|------------------------------------|----------------|-------------|------------------|-------------|-----------------------|
| Part Number Configuration | | -12 | 12" | -25CM | 25Cm |
| PE3 | zzz yy - xx uu | -24 | 24" | -50CM | 50Cm |
| 00 - 99999 | | -36 | 36" | -75CM | 75Cm |
| LF = RoHS Compliant | | -48 | 48" | -100CM | 100Cm |
| < Blank > = Standard | | -60 | 60" | -125CM | 125Cm |
| Note: LF applies only to RF cables | | -XX | Custom Length | -xxCM | Custom Length |

NOTES:
 1. UNLESS OTHERWISE SPECIFIED ALL DIMENSIONS ARE NOMINAL.
 2. ALL SPECIFICATIONS ARE SUBJECT TO CHANGE WITHOUT NOTICE AT ANY TIME.
 3. DIMENSIONS ARE IN INCHES [mm].
 4. LENGTH TOLERANCE IS ± 1.5% OR 3/8", WHICHEVER IS GREATER.

DWG TITLE
PE363

PE PASTERNAK®
 Pasternack Enterprises, Inc.
 P.O. Box 16759 | Irvine | CA | 92623
 Phone: (949) 261-1920 | Fax: (949) 261-7451
 Website: www.pasternack.com | E-Mail: sales@pasternack.com

| | | | | |
|----------------|-----------------|-----------|--------|------|
| FSCM NO. 53919 | CAD FILE 061013 | SCALE N/A | SIZE A | 2233 |
|----------------|-----------------|-----------|--------|------|