



SMA Male to N Female Bulkhead Precision Cable  
24 Inch Length Using 150 Series Coax, RoHS

TECHNICAL DATA SHEET

PE35954-24

**SMA Male to N Female Bulkhead Precision Cable 24 Inch Length Using 150 Series Coax, RoHS**

**Configuration**

Connector 1	SMA Male
Connector 2	N Female Bulkhead
Cable Type	150 Series

**Electrical Specifications**

Frequency Range, GHz	DC to 18
Impedance, Ohms	50
Maximum VSWR	1.4:1
Velocity of Propagation, %	69.5
RF Shielding, dB	90
Maximum Operating Voltage, Vrms	1,900

Electrical Specification Notes: Short lengths up to 24" long may exhibit VSWR measurements up to 9% higher.

**Mechanical Specifications**

**Cable Assembly**

Cable Type	150 Series
------------	------------

**Temperature**

Temperature Operating Range, deg C	-50 to +205
------------------------------------	-------------

**Size**

Length, in [mm]	24 [609.6]
One Time Minimum Bend Radius, in [mm]	1 [25.4]

**Cable**

Center Conductor Type	Solid
Cable Inner Conductor	Copper Clad Steel, Silver
No of Shields	1
Dielectric Type	PTFE
Jacket Material	FEP
Jacket Diameter, in [mm]	0.15 [3.81]

**Connector 1**

Type	SMA Male
Configuration	Straight
Inner Conductor Material and Plating	Copper Clad Steel, Silver
Coupling Nut Material and Plating	Passivated Stainless Steel
Hex Size, in.	5/16
Torque, in-lbs [Nm]	8 [0.9]

Click the following link (or enter part number in "SEARCH" on website) to obtain additional part information including price, inventory and certifications: [SMA Male to N Female Bulkhead Precision Cable 24 Inch Length Using 150 Series Coax, RoHS PE35954-24](#)

The information contained in this document is accurate to the best of our knowledge and representative of the part described herein. It may be necessary to make modifications to the part and/or the documentation of the part, in order to implement improvements. Pasternack reserves the right to make such changes as required. Unless otherwise stated, all specifications are nominal.



SMA Male to N Female Bulkhead Precision Cable  
24 Inch Length Using 150 Series Coax, RoHS

TECHNICAL DATA SHEET

PE35954-24

Body Material and Plating  
Dielectric Type

Passivated Stainless Steel  
PTFE

**Connector 2**

Type  
Configuration  
Mount Method  
Inner Conductor Material and Plating  
Body Material and Plating  
Dielectric Type

N Female Bulkhead  
Straight  
Bulkhead  
Gold  
Brass, Nickel  
PTFE

**Compliance Certifications** (visit [www.Pasternack.com](http://www.Pasternack.com) for current document)

RoHS Compliant

Yes

**Plotted and Other Data**

Notes:

Values at 25 °C, sea level

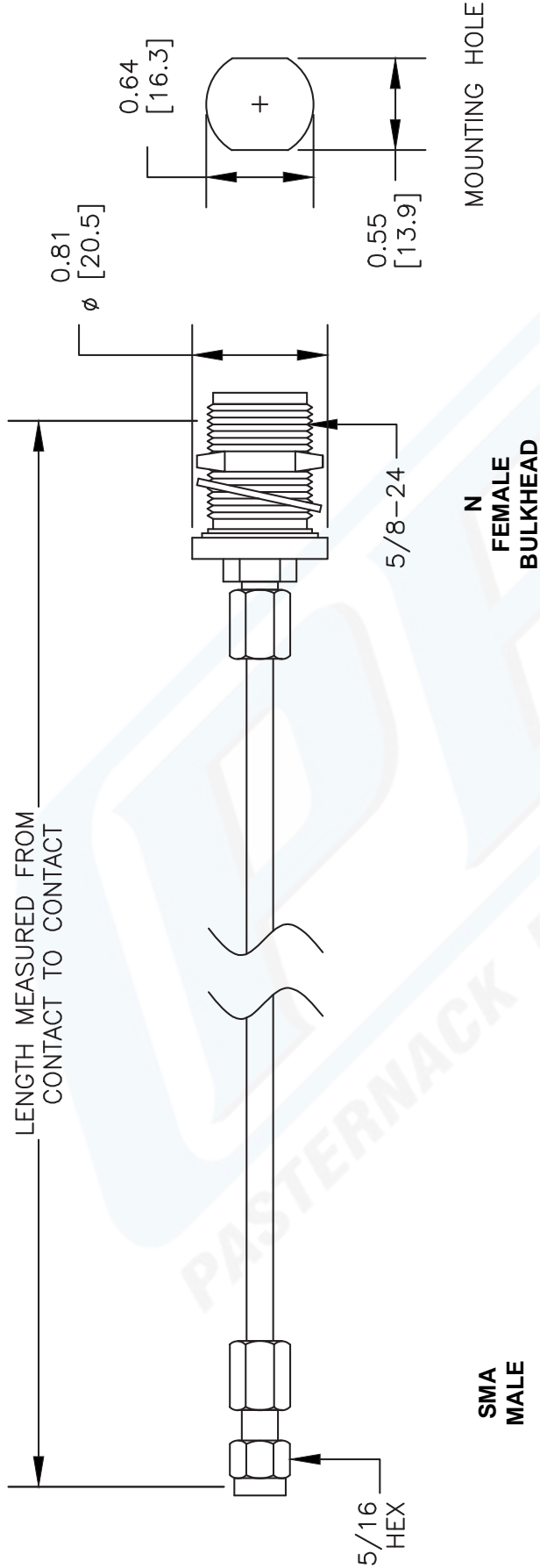
SMA Male to N Female Bulkhead Precision Cable 24 Inch Length Using 150 Series Coax, RoHS from Pasternack Enterprises has same day shipment for domestic and International orders. Our RF, microwave and fiber optic products maintain a 99% availability and are part of the broadest selection in the industry.

Click the following link (or enter part number in "SEARCH" on website) to obtain additional part information including price, inventory and certifications: [SMA Male to N Female Bulkhead Precision Cable 24 Inch Length Using 150 Series Coax, RoHS PE35954-24](http://www.pasternack.com/sma-male-n-female-150-series-cable-assembly-pe35954-24-p.aspx)

URL: <http://www.pasternack.com/sma-male-n-female-150-series-cable-assembly-pe35954-24-p.aspx>

The information contained in this document is accurate to the best of our knowledge and representative of the part described herein. It may be necessary to make modifications to the part and/or the documentation of the part, in order to implement improvements. Pasternack reserves the right to make such changes as required. Unless otherwise stated, all specifications are nominal.

**PE35954-24 CAD Drawing**  
 SMA Male to N Female Bulkhead Precision Cable 24 Inch  
 Length Using 150 Series Coax, RoHS



How To Order		Part # Ext.	Length In Inches	Part # Ext.	Length In Centimeters
Part Number Configuration PE3 <input type="text" value="zzz"/> <input type="text" value="yy"/> <input type="text" value="xx"/> <input type="text" value="uu"/> 00 - 99999 LF = RoHS Compliant < Blank > = Standard Note: LF applies only to RF cables		-12	12"	-25CM	25Cm
Examples PE3000LF-100 PE3000-100 PE3000LF-100CM PE3000-100CM CM = Centimeters < Blank > = Inches _____ Length		-24	24"	-50CM	50Cm
		-36	36"	-75CM	75Cm
		-48	48"	-100CM	100Cm
		-60	60"	-125CM	125Cm
		-XX	Custom Length	-XXCM	Custom Length

NOTES:  
 1. UNLESS OTHERWISE SPECIFIED ALL DIMENSIONS ARE NOMINAL.  
 2. ALL SPECIFICATIONS ARE SUBJECT TO CHANGE WITHOUT NOTICE AT ANY TIME.  
 3. DIMENSIONS ARE IN INCHES [mm].  
 4. LENGTH TOLERANCE IS ± 1.5% OR 3/8", WHICHEVER IS GREATER.

DWG TITLE  
**PE35954**

**PE PASTERNAK®**  
 Pasternack Enterprises, Inc.  
 P.O. Box 16759 | Irvine | CA | 92623  
 Phone: (949) 261-1920 | Fax: (949) 261-7451  
 Website: www.pasternack.com | E-Mail: sales@pasternack.com

FSCM NO. 53919	CAD FILE 021508	SCALE N/A	SIZE A	2233
----------------	-----------------	-----------	--------	------