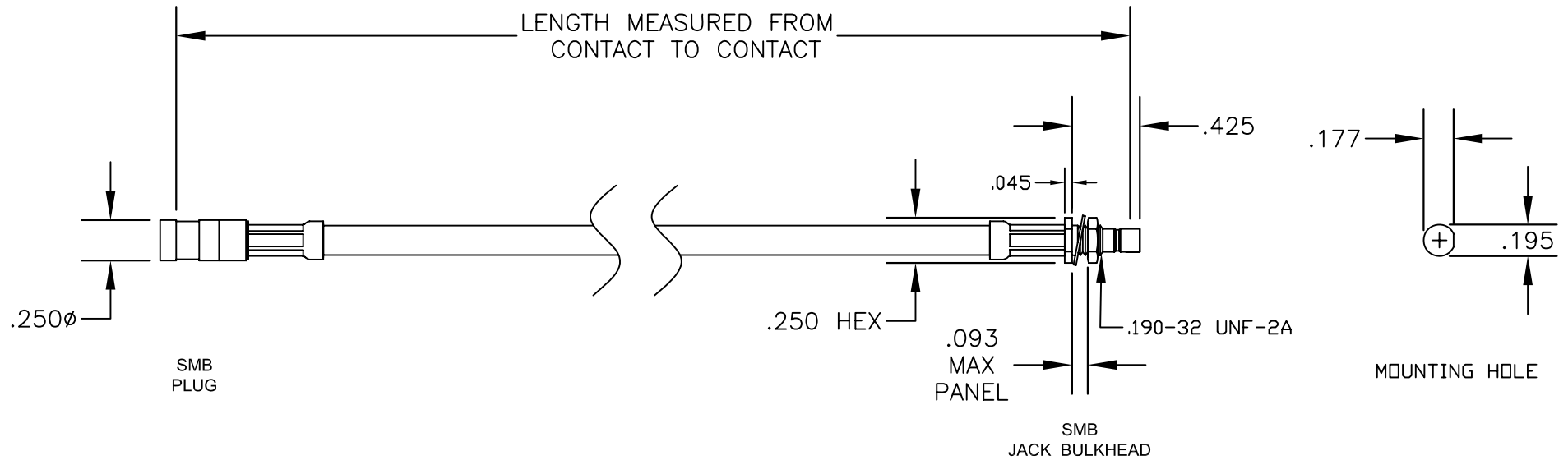


| COMPONENTS | IMPEDANCE |
|-------------------|-----------|
| SMB PLUG | 50 OHM |
| SMB JACK BULKHEAD | 50 OHM |
| RG142B/U | 50 OHM |
| | |

| Standard Lengths | |
|------------------|-------------------------|
| -12 | 12" |
| -24 | 24" |
| -36 | 36" |
| -48 | 48" |
| -60 | 60" |
| -xxx | Custom Length in inches |
| | |



PASTERNACK ENTERPRISES, INC.
 P.O BOX 16759, IRVINE, CA 92623
 PHONE (949) 261-1920 FAX (949) 261-7451
 WEB ADDRESS: www.pasternack.com
 E-MAIL ADDRESS: sales@pasternack.com
COAXIAL & FIBER OPTICS

| | | | |
|-------------------|--|--|--|
| DWG TITLE | DES. CABLE ASSEMBLY, RG142B/U, SMB PLUG TO SMB JACK BULKHEAD | | |
| PE34495-XX | | | |

| | | | | |
|--------|----------------|-----------------|-----------|-----|
| SIZE A | FSCM NO. 53919 | CAD FILE 021207 | SCALE N/A | 127 |
|--------|----------------|-----------------|-----------|-----|

NOTES:
 1. UNLESS OTHERWISE SPECIFIED ALL DIMENSIONS ARE NOMINAL.
 2. ALL SPECIFICATIONS ARE SUBJECT TO CHANGE WITHOUT NOTICE AT ANY TIME.
 3. DIMENSIONS ARE IN INCHES.
 4. LENGTH TOLERANCE IS $\pm 1.5\%$ OR $\pm 3/8"$, WHICHEVER IS GREATER.