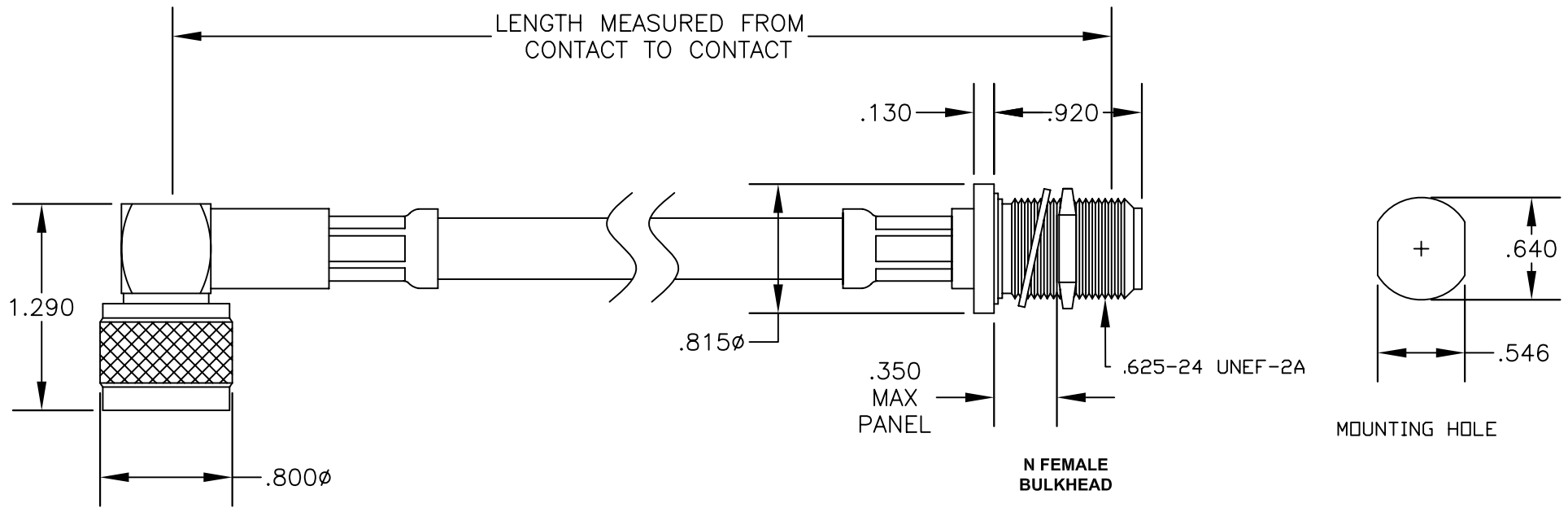


| COMPONENTS         | IMPEDANCE |
|--------------------|-----------|
| N MALE RIGHT ANGLE | 50 OHM    |
| N FEMALE BULKHEAD  | 50 OHM    |
| PE-B405            | 50 OHM    |

| Standard Lengths |                         |
|------------------|-------------------------|
| -12              | 12"                     |
| -24              | 24"                     |
| -36              | 36"                     |
| -48              | 48"                     |
| -60              | 60"                     |
| -XXX             | Custom Length in Inches |



N MALE  
RIGHT ANGLE

N FEMALE  
BULKHEAD

MOUNTING HOLE



**PASTERNAK ENTERPRISES, INC.**  
P.O BOX 16759, IRVINE, CA 92623  
PHONE (949) 261-1920 FAX (949) 261-7451  
WEB ADDRESS: [www.pasternack.com](http://www.pasternack.com)  
E-MAIL ADDRESS: [sales@pasternack.com](mailto:sales@pasternack.com)  
**COAXIAL & FIBER OPTICS**

DWG TITLE  
**PE34225-XX**

DES. CABLE ASSEMBLY, PE-B405, N MALE RIGHT ANGLE TO N FEMALE BULKHEAD

|        |                |                 |           |        |     |
|--------|----------------|-----------------|-----------|--------|-----|
| REV. A | FSCM NO. 53919 | CAD FILE 050509 | SCALE N/A | SIZE A | 147 |
|--------|----------------|-----------------|-----------|--------|-----|

- NOTES:
1. UNLESS OTHERWISE SPECIFIED ALL DIMENSIONS ARE NOMINAL.
  2. ALL SPECIFICATIONS ARE SUBJECT TO CHANGE WITHOUT NOTICE AT ANY TIME.
  3. DIMENSIONS ARE IN INCHES.
  4. LENGTH TOLERANCE IS  $\pm 1.5\%$  OR  $3/8"$ , WHICHEVER IS GREATER.