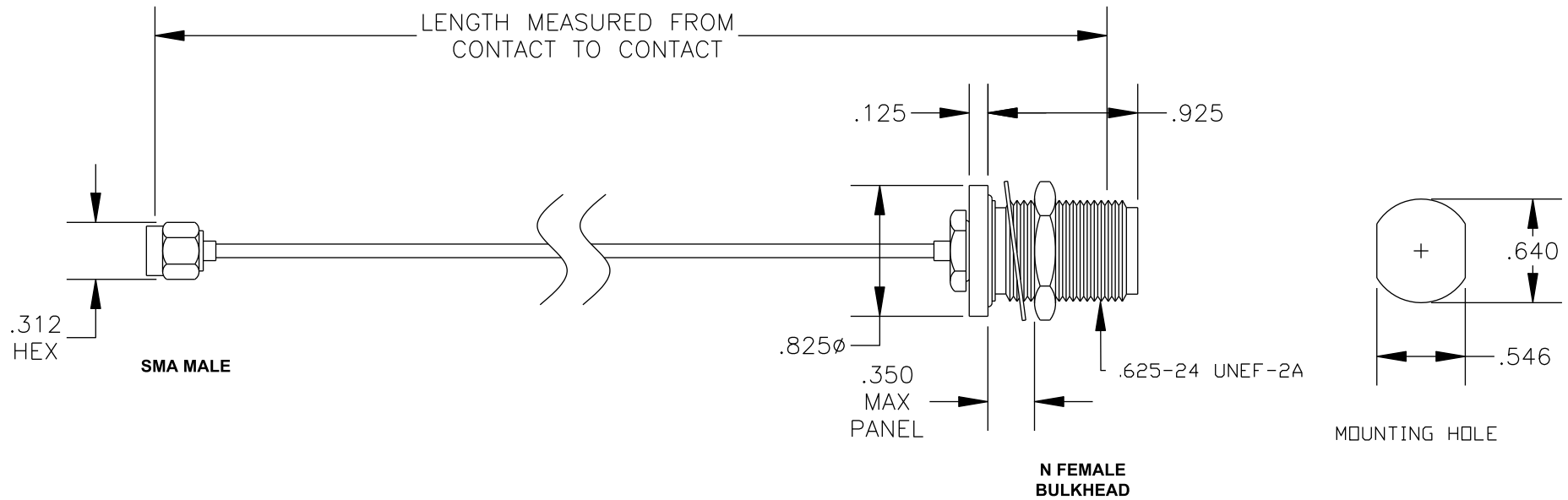


| COMPONENTS | IMPEDANCE |
|-------------------|-----------|
| SMA MALE | 50 OHM |
| N FEMALE BULKHEAD | 50 OHM |
| RG405/U | 50 OHM |
| | |

| Standard Lengths | |
|------------------|-------------------------|
| -12 | 12" |
| -24 | 24" |
| -36 | 36" |
| -48 | 48" |
| -60 | 60" |
| -XXX | Custom Length in inches |
| | |



PASTERNAK ENTERPRISES, INC.

P.O BOX 16759, IRVINE, CA 92623
PHONE (949) 261-1920 FAX (949) 261-7451

WEB ADDRESS: www.pasternack.com
E-MAIL ADDRESS: sales@pasternack.com

COAXIAL & FIBER OPTICS

DWG TITLE

PE3367-XX

DES. CABLE ASSEMBLY, RG405/U, SMA MALE TO N FEMALE BULKHEAD

REV. A **FSCM NO. 53919**

CAD FILE 021308

SCALE N/A

SIZE A 147

NOTES:

1. UNLESS OTHERWISE SPECIFIED ALL DIMENSIONS ARE NOMINAL.
2. ALL SPECIFICATIONS ARE SUBJECT TO CHANGE WITHOUT NOTICE AT ANY TIME.
3. DIMENSIONS ARE IN INCHES.
4. LENGTH TOLERANCE IS $\pm 1.5\%$ OR $\pm 3/8"$, WHICHEVER IS GREATER.