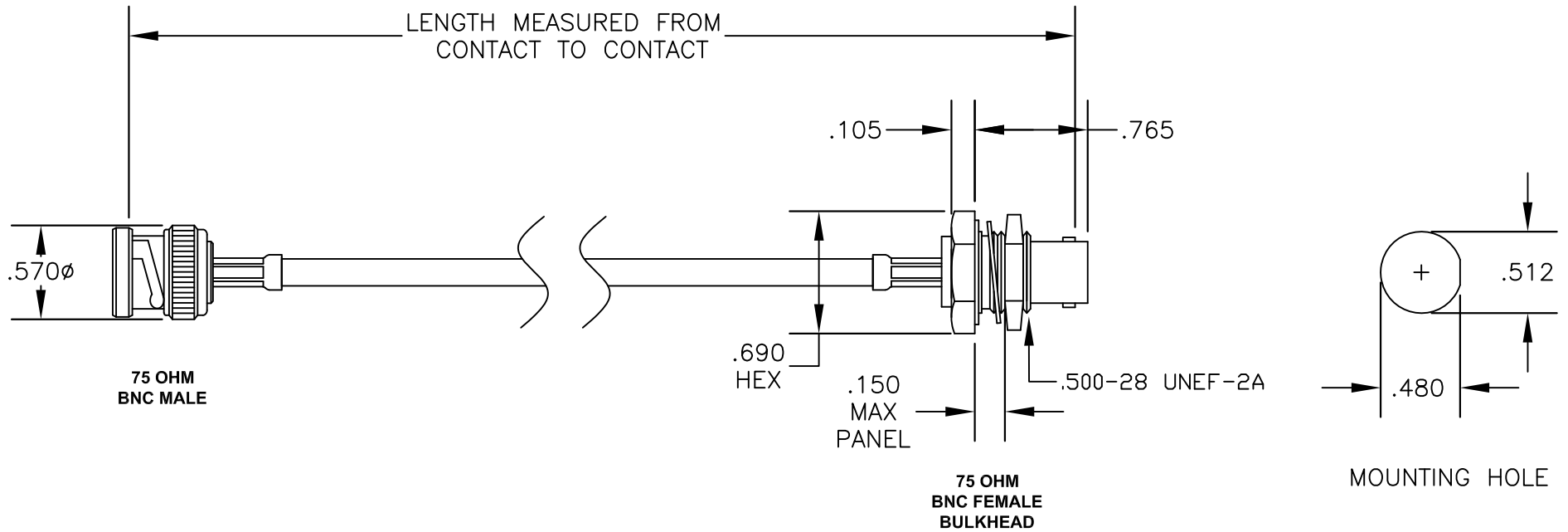



COMPONENTS	IMPEDANCE
BNC MALE	75 OHM
BNC FEMALE BULKHEAD	75 OHM
PE-B150	75 OHM

Standard Lengths	
-12	12"
-24	24"
-36	36"
-48	48"
-60	60"
-XXX	Custom Length in Inches





PASTERNAK ENTERPRISES, INC.
 P.O BOX 16759, IRVINE, CA 92623
 PHONE (949) 261-1920 FAX (949) 261-7451
 WEB ADDRESS: www.pasternack.com
 E-MAIL ADDRESS: sales@pasternack.com
COAXIAL & FIBER OPTICS

DWG TITLE PE33425-XX	DES. CABLE ASSEMBLY, PE-B150, 75 OHM BNC MALE TO 75 OHM BNC FEMALE BULKHEAD				
REV. B	FSCM NO. 53919	CAD FILE 042110	SCALE N/A	SIZE A	147

- NOTES:**
1. UNLESS OTHERWISE SPECIFIED ALL DIMENSIONS ARE NOMINAL.
 2. ALL SPECIFICATIONS ARE SUBJECT TO CHANGE WITHOUT NOTICE AT ANY TIME.
 3. DIMENSIONS ARE IN INCHES.
 4. LENGTH TOLERANCE IS $\pm 1.5\%$ OR $3/8"$, WHICHEVER IS GREATER.