



## SMB Plug to BNC Male Cable Using RG58 Coax, RoHS

### RF Cable Assemblies Technical Data Sheet

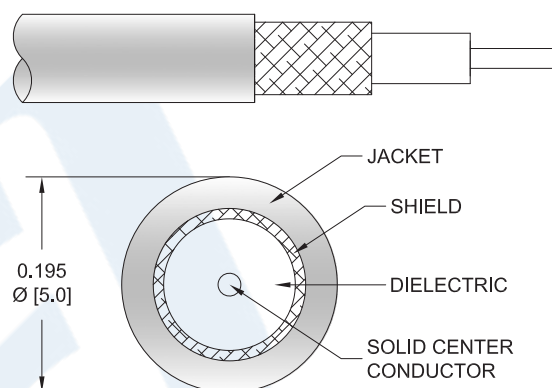
PE3242LF

#### Configuration

- Connector 1: SMB Plug
- Connector 2: BNC Male
- Cable Type: RG58

#### Features

- Max Frequency 4 GHz
- Shielding Effectivity > 45 dB
- 65.9% Phase Velocity
- PVC (NC) Jacket



#### Applications

- General Purpose
- Laboratory Use

#### Description

Pasternack's PE3242LF SMB plug to BNC male cable using RG58 coax is part of our full line of RF components available for same-day shipping. Pasternack's flexible RF cable assemblies are ideal for applications where tight bends and flexure are required. This Pasternack SMB to BNC cable assembly has a plug to male gender configuration with 50 ohm flexible RG58 coax. The PE3242LF SMB plug to BNC male cable assembly operates to 4 GHz.

Custom versions of most RF cable assemblies can be built and shipped same day. Custom cable assembly lengths can be obtained by specifying the desired length on the web site at time of order or by contacting a sales representative. Other available RF cable assembly value added services include connector orientation or clocking, heat shrink booting and custom labeling. RF testing can also be performed to document the electrical performance of your cable assembly.

#### Electrical Specifications

Description	Minimum	Typical	Maximum	Units
Frequency Range	DC		4	GHz
VSWR			1.4:1	
Velocity of Propagation		65.9		%
RF Shielding	45			dB
Capacitance		30.8 [101.05]		pF/ft [pF/m]
Operating Voltage (AC)			335	Vrms

Click the following link (or enter part number in "SEARCH" on website) to obtain additional part information including price, inventory and certifications: [SMB Plug to BNC Male Cable Using RG58 Coax, RoHS PE3242LF](#)



## SMB Plug to BNC Male Cable Using RG58 Coax, RoHS

### RF Cable Assemblies Technical Data Sheet

PE3242LF

#### Specifications by Frequency

Description	F1	F2	F3	F4	F5	Units
Frequency	0.1	0.25	0.5	1	4	GHz
Insertion Loss (Typ.)	0.249	0.274	0.316	0.4	0.7	dB/ft
	0.82	0.9	1.04	1.31	2.3	dB/m
VSWR (Max.)	1.4:1	1.4:1	1.4:1	1.4:1	1.4:1	
Return Loss (Max.)	15.56	15.563	15.563	15.563	15.563	dB

#### Mechanical Specifications

##### Cable Assembly

Diameter 0.571 in [14.5 mm]

Weight 0.068 lbs [30.84 g]

##### Cable

Cable Type RG58  
 Impedance 50 Ohms  
 Inner Conductor Type Stranded  
 Inner Conductor Material and Plating Copper, Tin  
 Dielectric Type PE  
 Number of Shields 1  
 Shield Layer 1 Tinned Copper Braid  
 Jacket Material PVC (NC), Black  
 Jacket Diameter 0.195 in [4.95 mm]

One Time Minimum Bend Radius 2 in [50.8 mm]

#### Connectors

Description	Connector 1	Connector 2
Type	SMB Plug	BNC Male
Specification	MIL-STD-348A	MIL-STD-348A
Impedance	50 Ohms	50 Ohms
Contact Material and Plating	Beryllium Copper, Gold	Brass, Gold
Contact Plating Specification	30µ in. minimum	30µ in. minimum
Dielectric Type	Teflon	Teflon
Body Material and Plating	Brass, Nickel	Brass, Nickel
Body Plating Specification	100µ in. minimum	100µ in. minimum

Click the following link (or enter part number in "SEARCH" on website) to obtain additional part information including price, inventory and certifications: [SMB Plug to BNC Male Cable Using RG58 Coax, RoHS PE3242LF](#)



## SMB Plug to BNC Male Cable Using RG58 Coax, RoHS

### RF Cable Assemblies Technical Data Sheet

PE3242LF

**Mechanical Specification Notes:**

\*All cable assemblies have a length tolerance of 1.5% or  $\pm 3/8"$ , whichever is greater.

**Compliance Certifications** (see [product page](#) for current document)

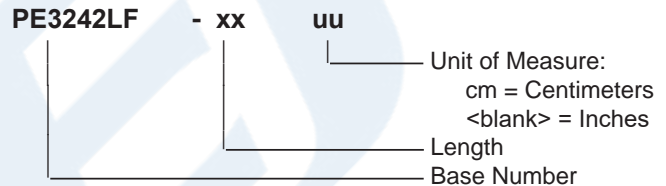
**Plotted and Other Data**

Notes:

- Values at 25°C, sea level.

**How to Order**

Part Number Configuration:



Example: PE3242LF-12 = 12 inches long cable  
PE3242LF-100cm = 100 cm long cable

SMB Plug to BNC Male Cable Using RG58 Coax, RoHS from Pasternack Enterprises has same day shipment for domestic and International orders. Our RF, microwave and millimeter wave products maintain a 99.4% availability and are part of the broadest selection in the industry.

Click the following link (or enter part number in "SEARCH" on website) to obtain additional part information including price, inventory and certifications: [SMB Plug to BNC Male Cable Using RG58 Coax, RoHS PE3242LF](#)

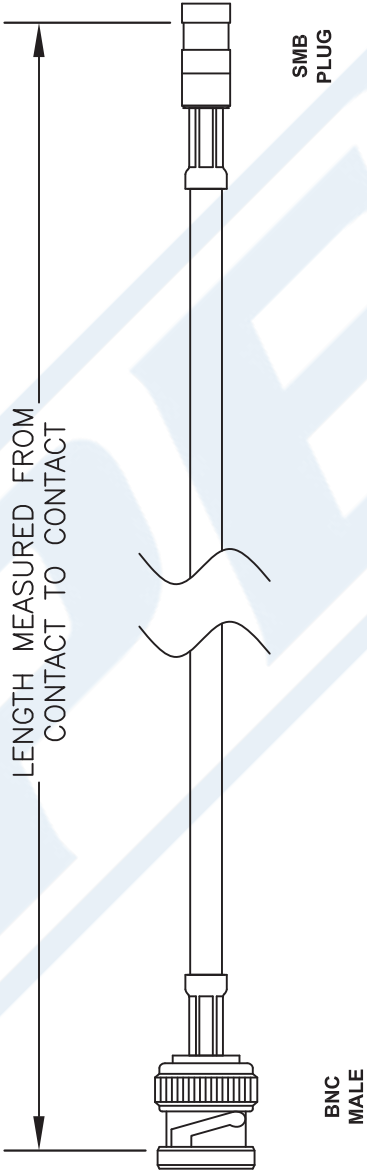
URL: <https://www.pasternack.com/smb-plug-bnc-male-rg58cu-cable-assembly-pe3242lf-p.aspx>

The information contained in this document is accurate to the best of our knowledge and representative of the part described herein. It may be necessary to make modifications to the part and/or the documentation of the part, in order to implement improvements. Pasternack reserves the right to make such changes as required. Unless otherwise stated, all specifications are nominal. Pasternack does not make any representation or warranty regarding the suitability of the part described herein for any particular purpose, and Pasternack does not assume any liability arising out of the use of any part or documentation.

# PE3242LF CAD Drawing

SMB Plug to BNC Male Cable Using RG58 Coax, RoHS

Standard Lengths	
-12	12"
-24	24"
-36	36"
-48	48"
-60	60"
-XXX	Custom Length in Inches



- NOTES:**
1. UNLESS OTHERWISE SPECIFIED ALL DIMENSIONS ARE NOMINAL.
  2. ALL SPECIFICATIONS ARE SUBJECT TO CHANGE WITHOUT NOTICE AT ANY TIME.
  3. DIMENSIONS ARE IN INCHES (mm).
  4. LENGTH TOLERANCE IS  $\pm 1.5\%$  OR  $3/8"$ , WHICHEVER IS GREATER.

DWG TITLE  
**PE3242LF**

**PASTERNAK®**  
 Pasternack Enterprises, Inc.  
 P.O. Box 16759 | Irvine | CA | 92623  
**Phone:** (949) 261-1920 | **Fax:** (949) 261-7451  
**Website:** www.pasternack.com | **E-Mail:** sales@pasternack.com

REV. -	FSCM NO. 53919	CAD FILE 010207	SCALE N/A	SIZE A	127
--------	----------------	-----------------	-----------	--------	-----