



## SMA Male to N Female Bulkhead Cable 6 Inch Length Using RG223 Coax

### RF Cable Assemblies Technical Data Sheet

PE3193-6

#### Configuration

- Connector 1: SMA Male
- Connector 2: N Female Bulkhead
- Cable Type: RG223

#### Electrical Specifications

| Description             | Minimum | Typical       | Maximum | Units        |
|-------------------------|---------|---------------|---------|--------------|
| Frequency Range         | DC      |               | 6       | GHz          |
| VSWR                    |         |               | 1.4:1   |              |
| Velocity of Propagation |         | 66            |         | %            |
| Capacitance             |         | 30.8 [101.05] |         | pF/ft [pF/m] |
| Operating Voltage (AC)  |         |               | 500     | Vrms         |

#### Specifications by Frequency

| Description           | F1    | F2     | F3     | F4     | F5   | Units |
|-----------------------|-------|--------|--------|--------|------|-------|
| Frequency             | 0.5   | 1      | 2.5    | 5      | 6    | GHz   |
| Insertion Loss (Typ.) | 0.245 | 0.267  | 0.31   | 0.368  | 0.47 | dB    |
| VSWR (Max.)           | 1.4:1 | 1.4:1  | 1.4:1  | 1.4:1  |      |       |
| Return Loss (Max.)    | 15.56 | 15.563 | 15.563 | 15.563 |      | dB    |

#### Mechanical Specifications

##### Cable Assembly

|          |                     |
|----------|---------------------|
| Length*  | 6 in [152.4 mm]     |
| Diameter | 0.827 in [21.01 mm] |
| Weight   | 0.129 lbs [58.51 g] |

##### Cable

|                                      |                |
|--------------------------------------|----------------|
| Cable Type                           | RG223          |
| Impedance                            | 50 Ohms        |
| Inner Conductor Type                 | Solid          |
| Inner Conductor Material and Plating | Copper, Silver |
| Dielectric Type                      | PE             |
| Number of Shields                    | 2              |

Click the following link (or enter part number in "SEARCH" on website) to obtain additional part information including price, inventory and certifications: [SMA Male to N Female Bulkhead Cable 6 Inch Length Using RG223 Coax PE3193-6](#)



SMA Male to N Female Bulkhead Cable  
6 Inch Length Using RG223 Coax

RF Cable Assemblies Technical Data Sheet

PE3193-6

|                              |                            |
|------------------------------|----------------------------|
| Shield Layer 1               | Silver Plated Copper Braid |
| Shield Layer 2               | Silver Plated Copper Braid |
| Jacket Material              | PVC, Black                 |
| Jacket Diameter              | 0.21 in [5.33 mm]          |
| One Time Minimum Bend Radius | 1 in [25.4 mm]             |

**Connectors**

| Description                   | Connector 1        | Connector 2       |
|-------------------------------|--------------------|-------------------|
| Type                          | SMA Male           | N Female Bulkhead |
| Specification                 | MIL-STD-348A       | MIL-STD-348A      |
| Impedance                     | 50 Ohms            | 50 Ohms           |
| Contact Material and Plating  | Brass, Gold        | Brass, Gold       |
| Contact Plating Specification | 50µ in. minimum    | 30µ in. minimum   |
| Dielectric Type               | Teflon             | Teflon            |
| Body Material and Plating     | Brass, Nickel      | Brass, Nickel     |
| Body Plating Specification    | 100µ in. minimum   | 100µ in. minimum  |
| Hex Size                      | 5/16 in            |                   |
| Torque                        | 5 in-lbs [0.57 Nm] |                   |

Mechanical Specification Notes:

\*All cable assemblies have a length tolerance of 1.5% or ± 3/8", whichever is greater.

**Compliance Certifications** (see [product page](#) for current document)

**Plotted and Other Data**

Notes:

- Values at 25°C, sea level.

Click the following link (or enter part number in "SEARCH" on website) to obtain additional part information including price, inventory and certifications: [SMA Male to N Female Bulkhead Cable 6 Inch Length Using RG223 Coax PE3193-6](#)



SMA Male to N Female Bulkhead Cable  
6 Inch Length Using RG223 Coax

RF Cable Assemblies Technical Data Sheet

PE3193-6

**How to Order**

Part Number Configuration:

**PE3193**

- **xx**

**uu**

Unit of Measure:  
cm = Centimeters  
<blank> = Inches  
Length  
Base Number

Example: PE3193-12 = 12 inches long cable  
PE3193-100cm = 100 cm long cable

SMA Male to N Female Bulkhead Cable 6 Inch Length Using RG223 Coax from Pasternack Enterprises has same day shipment for domestic and International orders. Our RF, microwave and millimeter wave products maintain a 99.4% availability and are part of the broadest selection in the industry.

Click the following link (or enter part number in "SEARCH" on website) to obtain additional part information including price, inventory and certifications: [SMA Male to N Female Bulkhead Cable 6 Inch Length Using RG223 Coax PE3193-6](#)

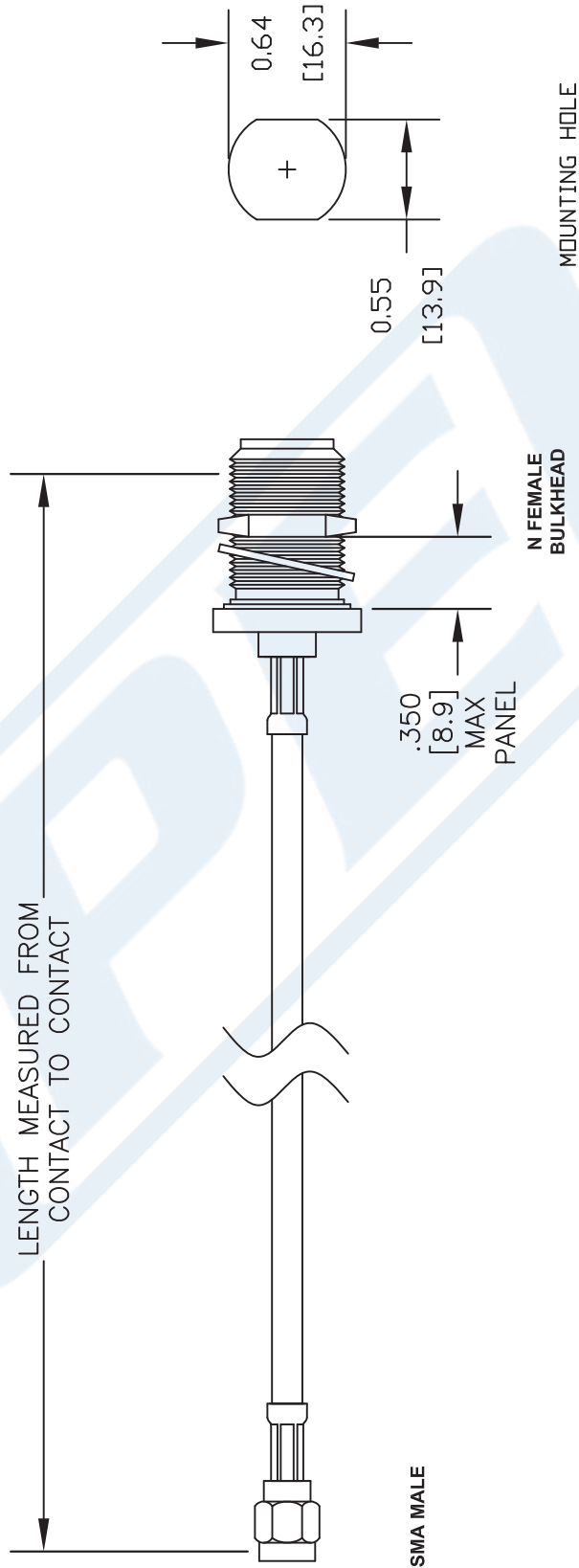
URL: <https://www.pasternack.com/sma-male-n-female-rg223u-cable-assembly-pe3193-6-p.aspx>

The information contained in this document is accurate to the best of our knowledge and representative of the part described herein. It may be necessary to make modifications to the part and/or the documentation of the part, in order to implement improvements. Pasternack reserves the right to make such changes as required. Unless otherwise stated, all specifications are nominal. Pasternack does not make any representation or warranty regarding the suitability of the part described herein for any particular purpose, and Pasternack does not assume any liability arising out of the use of any part or documentation.

# PE3193-6 CAD Drawing

SMA Male to N Female Bulkhead Cable 6 Inch Length Using RG223 Coax

| Standard Lengths |                         |
|------------------|-------------------------|
| -12              | 12"                     |
| -24              | 24"                     |
| -36              | 36"                     |
| -48              | 48"                     |
| -60              | 60"                     |
| -XXX             | Custom Length in Inches |



DWG TITLE

**PE3193-XX**

- NOTES:
1. UNLESS OTHERWISE SPECIFIED ALL DIMENSIONS ARE NOMINAL.
  2. ALL SPECIFICATIONS ARE SUBJECT TO CHANGE WITHOUT NOTICE AT ANY TIME.
  3. DIMENSIONS ARE IN INCHES [mm].
  4. LENGTH TOLERANCE IS  $\pm 1.5\%$  OR  $3/8"$ , WHICHEVER IS GREATER.

REV. - FSCM NO. 53919 CAD FILE 022807 SCALE N/A SIZE A 127



**PASTERNAK®**  
Pasternack Enterprises, Inc.  
P.O. Box 16759 | Irvine | CA | 92623

Phone: (949) 261-1920 | Fax: (949) 261-7451

Website: [www.pasternack.com](http://www.pasternack.com) | E-Mail: [sales@pasternack.com](mailto:sales@pasternack.com)